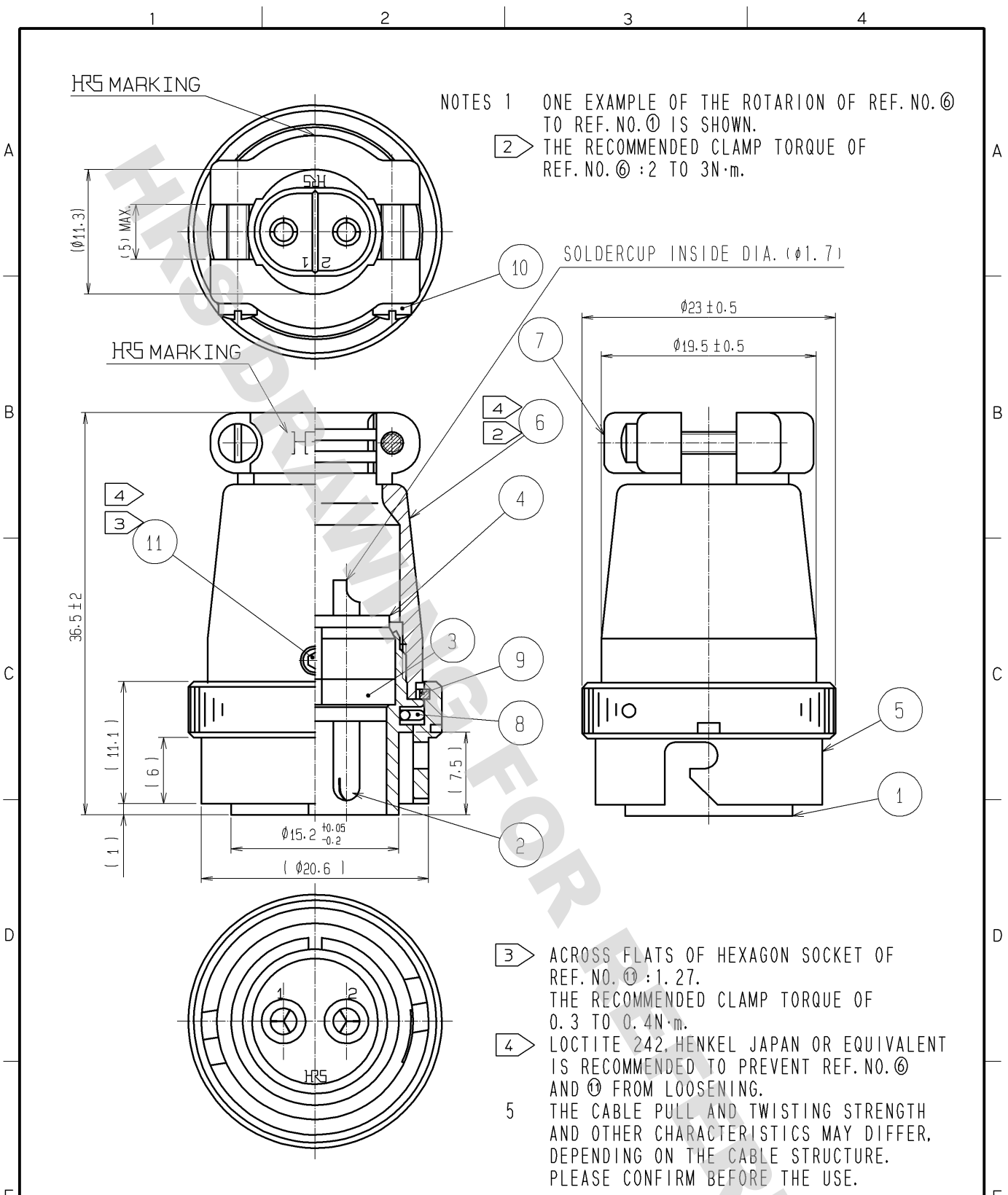


DRAWING FOR REFERENCE: This is subject to change without notice
08/11/2012



NOTES 1 ONE EXAMPLE OF THE ROTATION OF REF. NO. ⑥ TO REF. NO. ① IS SHOWN.
2 THE RECOMMENDED CLAMP TORQUE OF REF. NO. ⑥ : 2 TO 3N·m.

3 ACROSS FLATS OF HEXAGON SOCKET OF REF. NO. ① : 1.27. THE RECOMMENDED CLAMP TORQUE OF 0.3 TO 0.4N·m.
4 LOCTITE 242, HENKEL JAPAN OR EQUIVALENT IS RECOMMENDED TO PREVENT REF. NO. ⑥ AND ① FROM LOOSENING.
5 THE CABLE PULL AND TWISTING STRENGTH AND OTHER CHARACTERISTICS MAY DIFFER, DEPENDING ON THE CABLE STRUCTURE. PLEASE CONFIRM BEFORE THE USE.

6	ZINC ALLOY	NICKEL PLATING					
5	BRASS	NICKEL PLATING	11	STEEL	NICKEL PLATING		
4	DIALLYLPHTHALATE	(BLACK) UL94V-0	10	BRASS	NICKEL PLATING M2X10		
3	DIALLYLPHTHALATE	(BLACK) UL94V-0	9	PHOSPHER BRONZE	NICKEL PLATING		
2	COPPER ALLOY	SILVER PLATING 2μm min.	8	STAINLESS STEEL			
1	ZINC ALLOY	NICKEL PLATING	7	ZINC ALLOY	NICKEL PLATING		
NO.	MATERIAL	FINISH	REMARKS	NO.	MATERIAL	FINISH	REMARKS

UNITS	SCALE	COUNT	DESCRIPTION OF REVISIONS	DESIGNED	CHECKED	DATE
mm	2 : 1	△				
			APPROVED : MO. SATOH 07.01.24 CHECKED : MO. SATOH 07.01.24 DESIGNED : TP. KOMATSU 07.01.24 DRAWN : MK. SATO 07.01.18	DRAWING NO. EDC4-040366-71 PART NO. RM15QPS-2PA(71) CODE NO. CL109-0896-1-71	1/1	

X-ON Electronics

Largest Supplier of Electrical and Electronic Components

Click to view similar products for [Standard Circular Connector](#) category:

Click to view products by [Hirose](#) manufacturer:

Other Similar products are found below :

[5M2530B10P](#) [600259N006](#) [600273N007](#) [6134-336-13149](#) [6134-337-11149](#) [6134-337-2390](#) [6134-341-17149](#) [6280-4SG-516](#) [6280-7SG-3DC](#)
[6290](#) [6291A](#) [66200A-10](#) [680-SMG](#) [681-PMG](#) [CXS3102A14S2P](#) [CXS3102A181S](#) [7251-6SG-300](#) [7271-6SG-300](#) [7282-3PG-300-CH3](#) [75-](#)
[474014-05S](#) [75-474618-01S](#) [75-474618-04P](#) [75-474618-04S](#) [799539-000](#) [MI8-SE](#) [805-005-07NF11-19PC](#) [805-005-07NF15-7PA](#) [8280-4PG-](#)
[516](#) [8280-7PG-519](#) [8282-5PG-519](#) [836783-1](#) [MP-4102-25P-C](#) [862256-1](#) [864019-2](#) [866857-1](#) [867865-1](#) [PT01SP-14-18P](#) [PT08P-14-5S](#)
[PTSF06SE-14-12S](#) [120-1833-000](#) [QCM019PC2DC012B](#) [1-2069279-1](#) [121583-0217](#) [121667-0020](#) [129591AU](#) [1000B BULK](#) [RD10A16-19-](#)
[P6CS051/1](#) [RD10A20-31-P8CS051/1](#) [RD16A14-12-S6CS051/2](#) [1301240290](#) [1301240347](#)