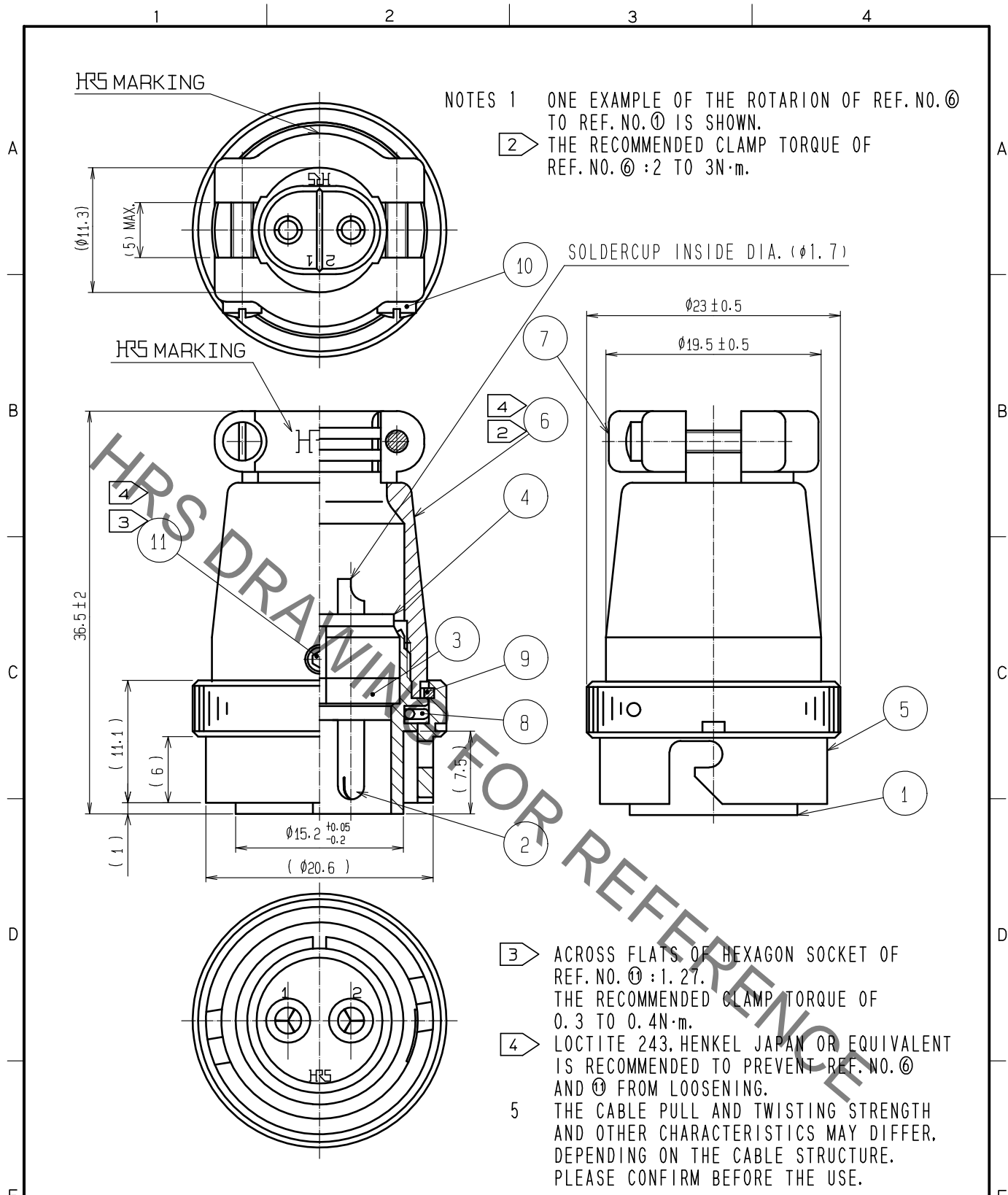


Jan.1.2022 Copyright 2022 HIROSE ELECTRIC CO., LTD. All Rights Reserved.
 In case of consideration for using Automotive equipment / device which demand high reliability, kindly contact our sales window correspondents.



| | | | | | | | |
|-----|------------------|-------------------------------|---------|-----------------|----------------------|----------|---------|
| 6 | ZINC ALLOY | NICKEL PLATING | | | | | |
| 5 | BRASS | NICKEL PLATING | 11 | STEEL | NICKEL PLATING | | |
| 4 | DIALLYLPHTHALATE | (BLACK) UL94V-0 | 10 | BRASS | NICKEL PLATING M2X10 | | |
| 3 | DIALLYLPHTHALATE | (BLACK) UL94V-0 | 9 | PHOSPHOR BRONZE | NICKEL PLATING | | |
| 2 | BRASS | SILVER PLATING 2 μ m min. | 8 | STAINLESS STEEL | | | |
| 1 | ZINC ALLOY | NICKEL PLATING | 7 | ZINC ALLOY | NICKEL PLATING | | |
| NO. | MATERIAL | FINISH . | REMARKS | NO. | MATERIAL | FINISH . | REMARKS |

| UNITS | SCALE | COUNT | DESCRIPTION OF REVISIONS | DESIGNED | CHECKED | DATE |
|---------------------------|-------|-------|--|--|---------------|----------|
| mm | 2 : 1 | 2 | DIS-C-00007410 | TY. SUZUKI | HY. KOBAYASHI | 20210802 |
| HIROSE ELECTRIC CO., LTD. | | | APPROVED : TP. KOMATSU 20210524 CHECKED : HY. KOBAYASHI 20210524 DESIGNED : TY. SUZUKI 20210524 DRAWN : KR. SUZUKI 20210519 | DRAWING NO. EDC-040366-76-00 PART NO. RM15QPS-2PA (76) CODE NO. CL0109-0896-1-76 | | |

X-ON Electronics

Largest Supplier of Electrical and Electronic Components

Click to view similar products for [Standard Circular Connector](#) category:

Click to view products by [Hirose](#) manufacturer:

Other Similar products are found below :

[6134-336-13149](#) [6134-337-11149](#) [6134-337-2390](#) [6134-341-17149](#) [6280-4SG-516](#) [6280-7SG-3DC](#) [6282-2SG-315](#) [67-02E12-60PX](#) [680-SMG](#) [CXS3102A181S](#) [D38999/20FC8SA L/C](#) [7251-5SG-300](#) [7282-3PG-300-CH3](#) [75-190216-08S](#) [75-190218-10P](#) [75-474014-05S](#) [75-474218-19S](#) [75-474618-04P](#) [75-474618-04S](#) [80-190222-18P](#) [805-005-07NF11-19PC](#) [805-005-07NF15-7PA](#) [8280-4PG-516](#) [8280-7PG-519](#) [862256-1](#) [866857-1](#) [867865-1](#) [PT08P-14-19S](#) [120-1833-000](#) [QCM019PC2DC012B](#) [121583-0217](#) [121667-0020](#) [RD10A16-19-P6CS051/1](#) [RD16A14-12-S6CS051/2](#) [1301240347](#) [1301790476](#) [1301240268](#) [1301240275](#) [1301860183](#) [1301860906](#) [1302261559](#) [DCU-08BFEA-LL7001](#) [RM15WTP-CP\(5\)\(71\)](#) [14381-10SG-300](#) [14482](#) [16283-18](#) [18280-3SG-315](#) [1877910-1](#) [206039-3](#) [206323-1](#)