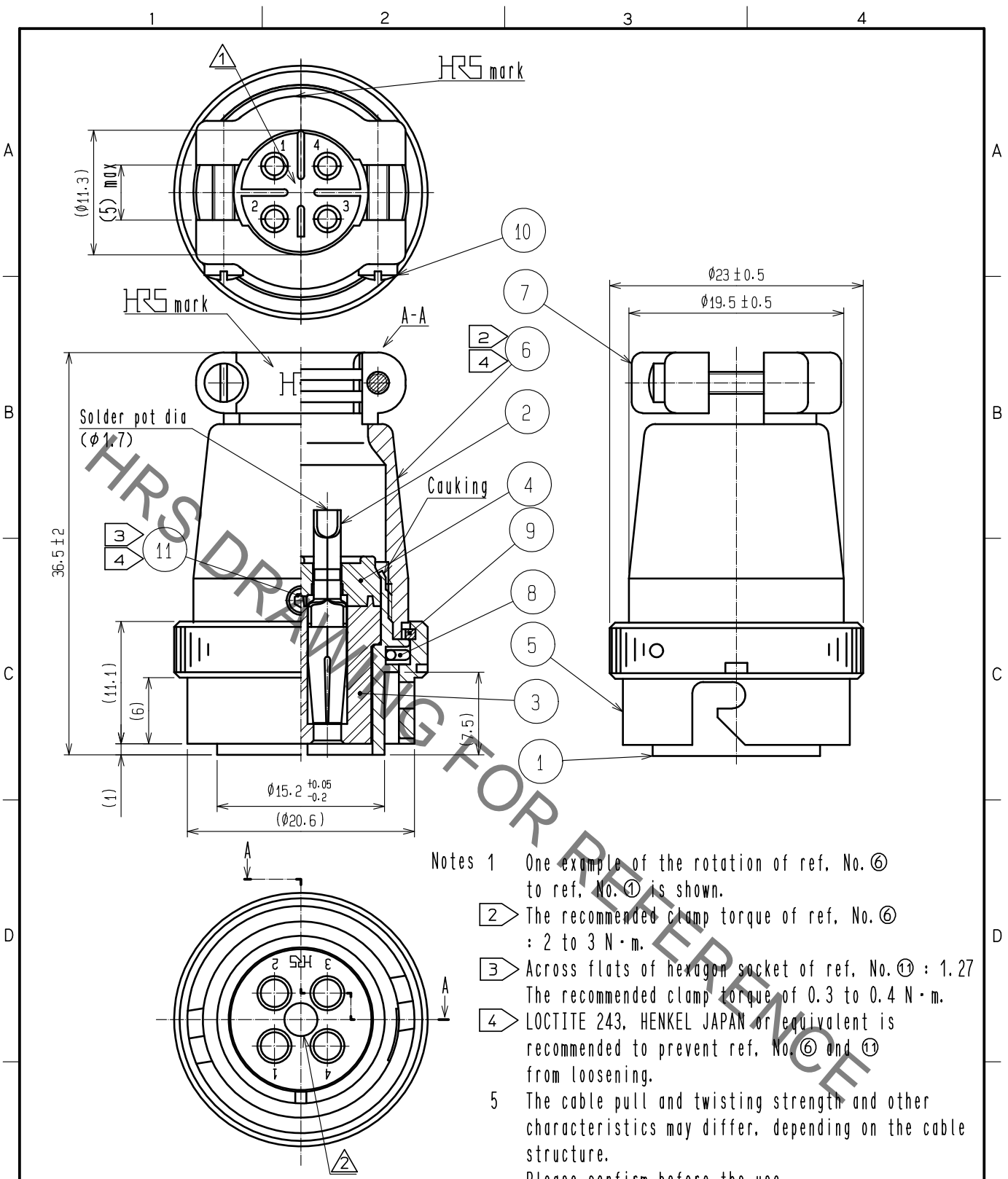


Sep. 1. 2021 Copyright 2021 HIROSE ELECTRIC CO., LTD. All Rights Reserved.
 In case of consideration for using Automotive equipment / device which demand high reliability, kindly contact our sales window correspondents.



- Notes 1 One example of the rotation of ref. No. ⑥ to ref. No. ① is shown.
- ② The recommended clamp torque of ref. No. ⑥ : 2 to 3 N·m.
- ③ Across flats of hexagon socket of ref. No. ⑪ : 1.27 The recommended clamp torque of 0.3 to 0.4 N·m.
- ④ LOCTITE 243, HENKEL JAPAN or equivalent is recommended to prevent ref. No. ⑥ and ⑪ from loosening.
- 5 The cable pull and twisting strength and other characteristics may differ, depending on the cable structure. Please confirm before the use.

5	BRASS	NICKEL PLATING	11	STEEL	NICKEL PLATING	M2.6×0.45×2
4	PPS	(BLACK) UL94V-0	10	BRASS	NICKEL PLATING	M2×0.4×10
3	PPS	(BLACK) UL94V-0	9	PHOSPHOR BRONZE	NICKEL PLATING	
2	COPPER ALLOY	SILVER PLATING 2μm min.	8	STAINLESS STEEL		
1	ZINC ALLOY	MATTE FINISH NICKEL PLATING	7	ZINC ALLOY	MATTE FINISH NICKEL PLATING	
NO.	MATERIAL	FINISH . REMARKS	NO.	MATERIAL	FINISH . REMARKS	

UNITS mm	SCALE	COUNT	DESCRIPTION OF REVISIONS	DESIGNED	CHECKED	DATE
	2 : 1	② 1	DIS-C-00000841	KN. IKEHARA	HY. KOBAYASHI	16. 03. 02
HRS HIROSE ELECTRIC CO., LTD.	APPROVED	·HY. KOBAYASHI	15. 09. 10	DRAWING NO. EDC-027933-81-00		
	CHECKED	·HY. KOBAYASHI	15. 09. 10	PART NO. RM15QPS-4SA(81)		
	DESIGNED	·KN. IKEHARA	15. 09. 10	CODE NO. CL109-0840-7-81		
	DRAWN	·KN. IKEHARA	15. 09. 10	②		

X-ON Electronics

Largest Supplier of Electrical and Electronic Components

Click to view similar products for [Standard Circular Connector](#) category:

Click to view products by [Hirose](#) manufacturer:

Other Similar products are found below :

[5M2530B10P](#) [600259N006](#) [600273N007](#) [6134-336-13149](#) [6134-337-11149](#) [6134-337-2390](#) [6134-341-17149](#) [6280-4SG-516](#) [6280-7SG-3DC](#)
[6290](#) [6291A](#) [66200A-10](#) [680-SMG](#) [681-PMG](#) [CXS3102A14S2P](#) [CXS3102A181S](#) [7251-6SG-300](#) [7271-6SG-300](#) [7282-3PG-300-CH3](#) [75-](#)
[474014-05S](#) [75-474618-01S](#) [75-474618-04S](#) [799539-000](#) [MI8-SE](#) [805-005-07NF11-19PC](#) [805-005-07NF15-7PA](#) [8280-4PG-516](#) [8280-7PG-](#)
[519](#) [8282-5PG-519](#) [836783-1](#) [MP-4102-25P-C](#) [862256-1](#) [864019-2](#) [866857-1](#) [867865-1](#) [PT01SP-14-18P](#) [PT08P-14-5S](#) [PTSF06SE-14-12S](#)
[120-1833-000](#) [QCM019PC2DC012B](#) [1-2069279-1](#) [121583-0217](#) [121667-0020](#) [129591AU](#) [1000B BULK](#) [RD10A16-19-P6CS051/1](#)
[RD10A20-31-P8CS051/1](#) [RD16A14-12-S6CS051/2](#) [1301240290](#) [1301240347](#) [1301860202](#)