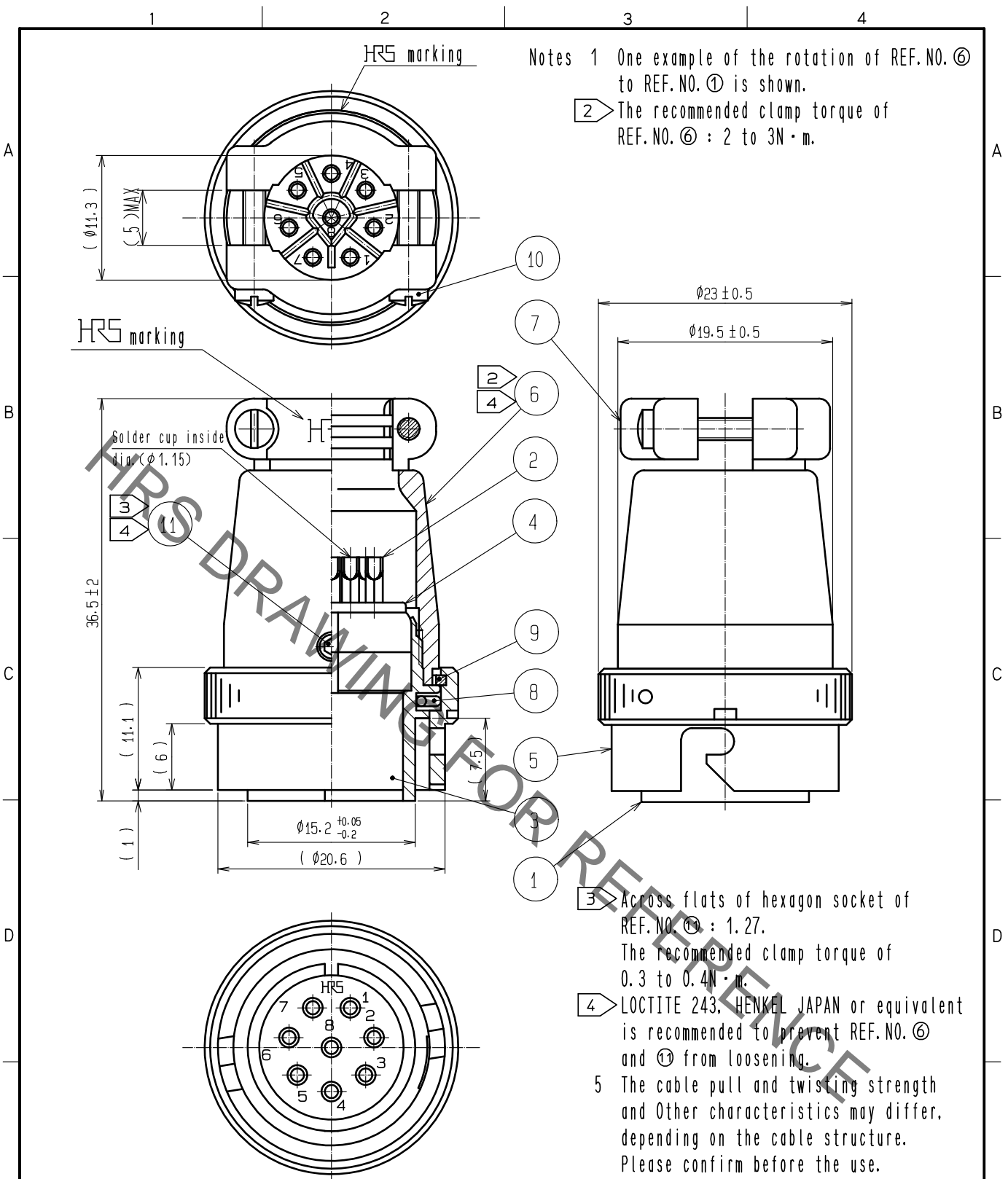


Jun.1.2019 Copyright 2019 HIROSE ELECTRIC CO., LTD. All Rights Reserved.
 In case of consideration for using Automotive equipment / device which demand high reliability, kindly contact our sales window correspondents.



Notes 1 One example of the rotation of REF.NO. ⑥ to REF.NO. ① is shown.
 2 The recommended clamp torque of REF.NO. ⑥ : 2 to 3N·m.

3 Across flats of hexagon socket of REF.NO. ⑩ : 1.27.
 The recommended clamp torque of 0.3 to 0.4N·m.
 4 LOCTITE 243, HENKEL JAPAN or equivalent is recommended to prevent REF.NO. ⑥ and ① from loosening.
 5 The cable pull and twisting strength and Other characteristics may differ, depending on the cable structure. Please confirm before the use.

6	Zinc alloy	Matte finish nickel plating			
5	Brass	Nickel plating	11	Steel	Nickel plating M2.6 X 0.45 X 2
4	Diallylphthalate	(Black) UL94V-0	10	Brass	Nickel plating M2 X 0.4 X 10
3	Diallylphthalate	(Black) UL94V-0	9	Phosphor bronze	Nickel plating
2	Copper alloy	Silver plating 5μm min.	8	Stainless steel	
1	Zinc alloy	Matte finish nickel plating	7	Zinc alloy	Matte finish nickel plating
NO.	MATERIAL	FINISH . REMARKS	NO.	MATERIAL	FINISH . REMARKS

UNITS mm		SCALE 2 : 1	COUNT 	DESCRIPTION OF REVISIONS	DESIGNED	CHECKED	DATE
HRS HIROSE ELECTRIC CO., LTD.		APPROVED :HY. KOBAYASHI 15.11.18	CHECKED :HY. KOBAYASHI 15.11.17	DESIGNED :HT. ZENBA 15.11.17	DRAWN :HT. ZENBA 15.11.17	DRAWING NO. EDC-028093-71-00	PART NO. RM15QPS-8S(71)
				CODE NO. CL109-0852-6-71	1/1		

X-ON Electronics

Largest Supplier of Electrical and Electronic Components

Click to view similar products for [Standard Circular Connector](#) category:

Click to view products by [Hirose](#) manufacturer:

Other Similar products are found below :

[5M2530B10P](#) [600259N006](#) [600273N007](#) [6134-336-13149](#) [6134-337-11149](#) [6134-337-2390](#) [6134-341-17149](#) [6280-4SG-516](#) [6280-7SG-3DC](#)
[6290](#) [6291A](#) [66200A-10](#) [680-SMG](#) [681-PMG](#) [CXS3102A14S2P](#) [CXS3102A181S](#) [7251-6SG-300](#) [7271-6SG-300](#) [7282-3PG-300-CH3](#) [75-](#)
[474014-05S](#) [75-474618-01S](#) [75-474618-04S](#) [799539-000](#) [MI8-SE](#) [805-005-07NF11-19PC](#) [805-005-07NF15-7PA](#) [8280-4PG-516](#) [8280-7PG-](#)
[519](#) [8282-5PG-519](#) [836783-1](#) [MP-4102-25P-C](#) [862256-1](#) [864019-2](#) [866857-1](#) [867865-1](#) [PT01SP-14-18P](#) [PT08P-14-5S](#) [PTSF06SE-14-12S](#)
[120-1833-000](#) [QCM019PC2DC012B](#) [1-2069279-1](#) [121583-0217](#) [121667-0020](#) [129591AU](#) [1000B BULK](#) [RD10A16-19-P6CS051/1](#)
[RD10A20-31-P8CS051/1](#) [RD16A14-12-S6CS051/2](#) [1301240290](#) [1301240347](#) [1301860202](#)