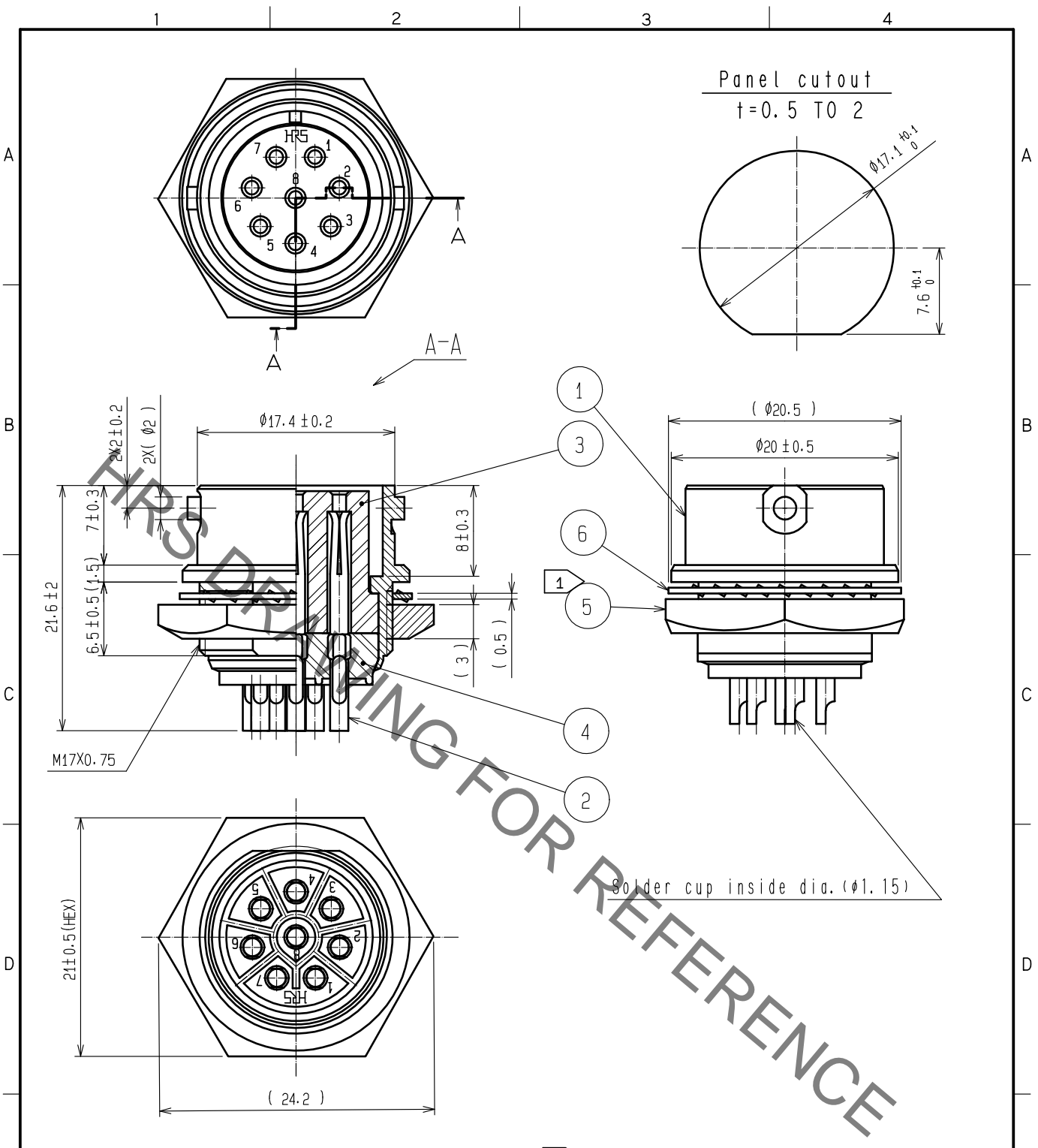


Jan.1.2022 Copyright 2022 HIROSE ELECTRIC CO., LTD. All Rights Reserved.
 In case of consideration for using Automotive equipment / device which demand high reliability, kindly contact our sales window correspondents.



Note ① The recommended clamp torque of REF.NO. ⑤ : $3N \cdot m$.
 LOCTITE 243, HENKEL JAPAN or equivalent is recommended to prevent REF.NO. ⑤ from loosening.

3	Diallylphthalate	(Black) UL94V-0	6	Phosphor bronze \triangle	Nickel plating
2	Copper alloy	Silver plating 5 μ m min.	5	Brass	Nickel plating
1	Brass	Nickel plating	4	Diallylphthalate (Black) UL94V-0	
NO.	MATERIAL	FINISH . REMARKS	NO.	MATERIAL	FINISH . REMARKS
UNITS mm		SCALE 2 : 1	COUNT \triangle 1	DESCRIPTION OF REVISIONS DIS-C-00007410	
DESIGNED TY. SUZUKI		CHECKED HY. KOBAYASHI		DATE 20210802	
APPROVED : TP. KOMATSU 20210524		DRAWING NO. EDC-028514-76-00		PART NO. RM15QRD-8S(76)	
CHECKED : HY. KOBAYASHI 20210524		DRAWN : KR. SUZUKI 20210519		CODE NO. CL0109-0864-5-76	
DESIGNED : TY. SUZUKI 20210524				\triangle 1/1	
DRAWN : KR. SUZUKI 20210519					

X-ON Electronics

Largest Supplier of Electrical and Electronic Components

Click to view similar products for [Standard Circular Connector](#) category:

Click to view products by [Hirose](#) manufacturer:

Other Similar products are found below :

[6134-336-13149](#) [6134-337-11149](#) [6134-337-2390](#) [6134-341-17149](#) [6280-4SG-516](#) [6280-7SG-3DC](#) [6282-2SG-315](#) [67-02E12-60PX](#) [680-SMG](#) [CXS3102A181S](#) [D38999/20FC8SA L/C](#) [7251-5SG-300](#) [7282-3PG-300-CH3](#) [75-190216-08S](#) [75-190218-10P](#) [75-474014-05S](#) [75-474218-19S](#) [75-474618-04P](#) [75-474618-04S](#) [80-190222-18P](#) [805-005-07NF11-19PC](#) [805-005-07NF15-7PA](#) [8280-4PG-516](#) [8280-7PG-519](#) [862256-1](#) [866857-1](#) [867865-1](#) [PT08P-14-19S](#) [120-1833-000](#) [QCM019PC2DC012B](#) [121583-0217](#) [121667-0020](#) [RD10A16-19-P6CS051/1](#) [RD16A14-12-S6CS051/2](#) [1301240347](#) [1301790476](#) [1301240268](#) [1301240275](#) [1301860183](#) [1301860906](#) [1302261559](#) [DCU-08BFEA-LL7001](#) [RM15WTP-CP\(5\)\(71\)](#) [14381-10SG-300](#) [14482](#) [16283-18](#) [18280-3SG-315](#) [1877910-1](#) [206039-3](#) [206323-1](#)