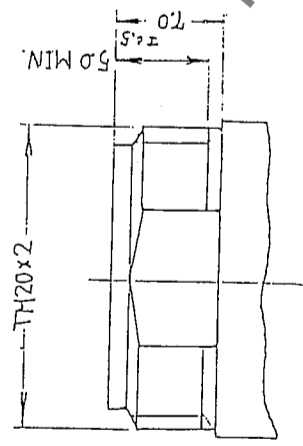
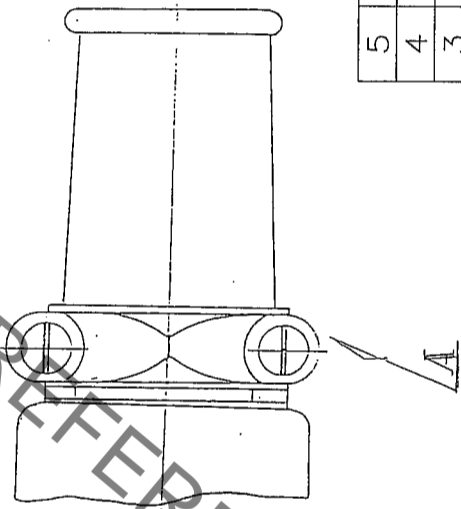
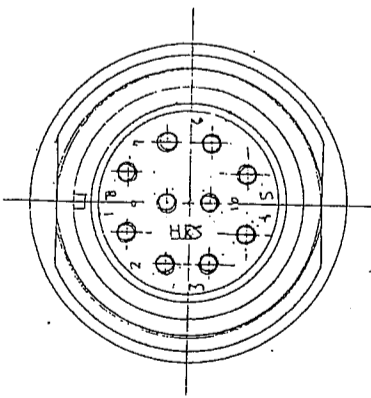
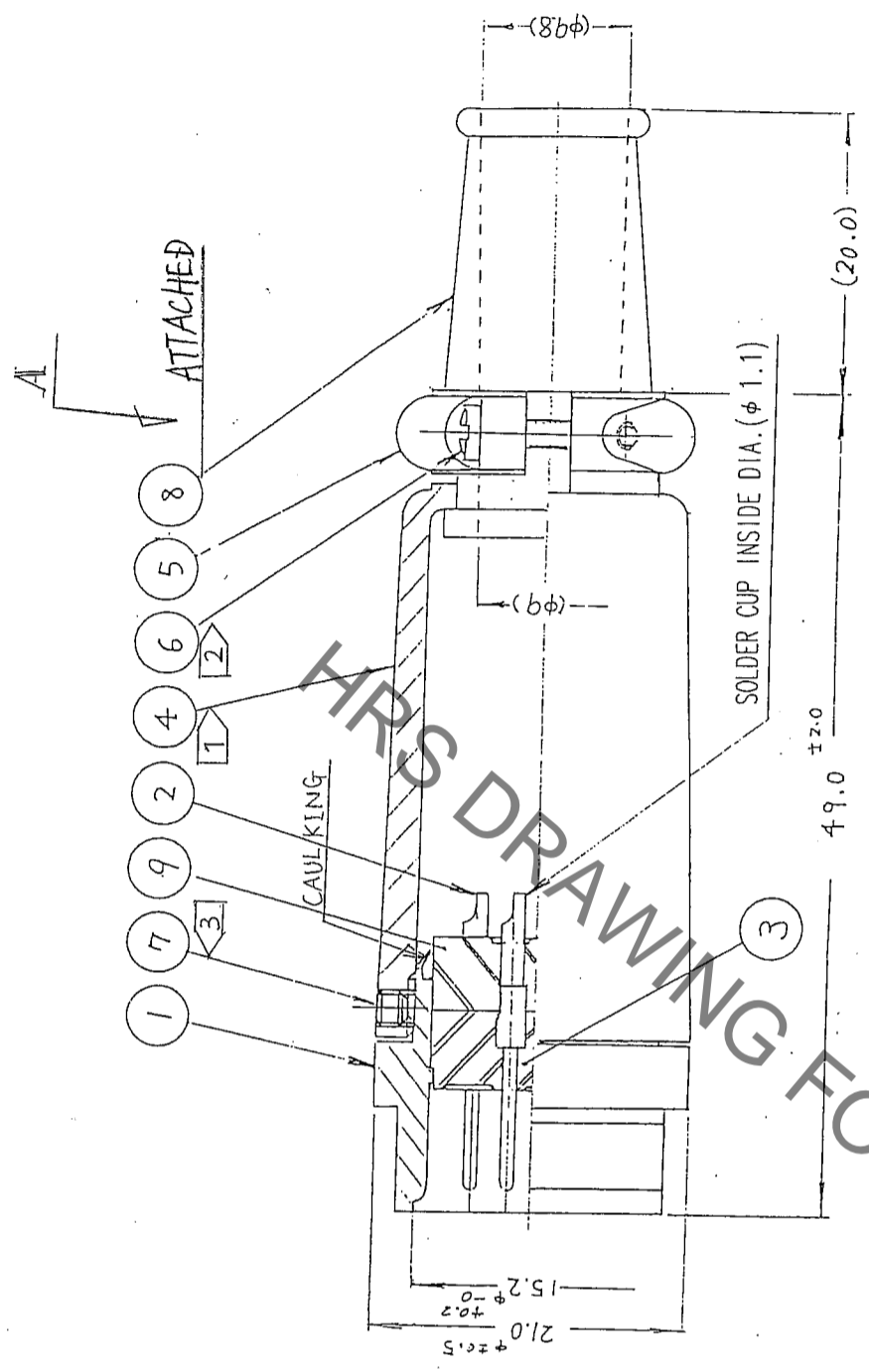


| COUNT | DESCRIPTION OF REVISIONS | BY | CHKD | DATE | COUNT | DESCRIPTION OF REVISIONS | BY | CHKD | DATE |
|-------|--------------------------|----|------|------|-------|--------------------------|----|------|------|
| △ | | | | | △ | | | | |
| △ | | | | | △ | | | | |
| △ | | | | | △ | | | | |



| NO. | MATERIAL | FINISH, REMARKS | NO. | MATERIAL | FINISH, REMARKS |
|-----|------------------|-------------------------------|-----|------------------|----------------------------|
| 5 | ALUMINUM ALLOY | MATTE FINISH ALUMITE (CHROME) | 9 | DIALYL PHTHALATE | (BLACK) UL94V-0 |
| 4 | ALUMINUM ALLOY | MATTE FINISH ALUMITE (CHROME) | 8 | CR | (BLACK) |
| 3 | DIALYL PHTHALATE | (BLACK) UL94V-0 | 7 | STEEL | NICKEL PLATING M2.6x0.45x2 |
| 2 | BRASS | SILVER PLATING 4μm min. | 6 | BRASS | NICKEL PLATING |
| 1 | ZINC ALLOY | CHROME PLATING | | | |

NOTES
 ① THE RECOMMENDED CLAMP TORQUE OF REF.NO. ④ TO BE 2 TO 3 N·m.
 ② THE RECOMMENDED CLAMP TORQUE OF REF.NO. ⑥ TO BE 0.12 TO 0.15 N·m.
 ③ THE RECOMMENDED CLAMP TORQUE OF REF.NO. ⑦ TO BE 0.3 TO 0.4 N·m.
 4 RECOMMENDED ADHESIVE TO PREVENT LOOSENESS OF THE SCREW FOR REF.NO. ⑦ : PRODUCT NO. LOCTITE 242.
 ROTATION EXAMPLES OF REF.NO. ① AND ④ ARE SHOWN.

| CODE NO. (OLD) | CL | DRAWN | DESIGNED | CHECKED | APPROVED | RELEASED |
|----------------|----|----------|-----------|-----------|-----------|----------|
| | | M. Hanyu | H. Yamada | H. Zemba | M. Sato | |
| | | '05.9.21 | '05.09.21 | '05.09.22 | '05.09.27 | |

| DRAWING NO. | PART NO. |
|----------------|-----------------|
| EDC3-007699-71 | RM15TJD-10P(71) |

X-ON Electronics

Largest Supplier of Electrical and Electronic Components

Click to view similar products for [Standard Circular Connector](#) category:

Click to view products by [Hirose](#) manufacturer:

Other Similar products are found below :

[5M2530B10P](#) [600259N006](#) [600273N007](#) [6134-336-13149](#) [6134-337-11149](#) [6134-337-2390](#) [6134-341-17149](#) [6280-4SG-516](#) [6280-7SG-3DC](#)
[6290](#) [6291A](#) [66200A-10](#) [680-SMG](#) [681-PMG](#) [CXS3102A14S2P](#) [CXS3102A181S](#) [7251-6SG-300](#) [7271-6SG-300](#) [7282-3PG-300-CH3](#) [75-](#)
[474014-05S](#) [75-474618-01S](#) [75-474618-04S](#) [799539-000](#) [MI8-SE](#) [805-005-07NF11-19PC](#) [805-005-07NF15-7PA](#) [8280-4PG-516](#) [8280-7PG-](#)
[519](#) [8282-5PG-519](#) [836783-1](#) [MP-4102-25P-C](#) [862256-1](#) [864019-2](#) [866857-1](#) [867865-1](#) [PT01SP-14-18P](#) [PT08P-14-5S](#) [PTSF06SE-14-12S](#)
[120-1833-000](#) [QCM019PC2DC012B](#) [1-2069279-1](#) [121583-0217](#) [121667-0020](#) [129591AU](#) [1000B BULK](#) [RD10A16-19-P6CS051/1](#)
[RD10A20-31-P8CS051/1](#) [RD16A14-12-S6CS051/2](#) [1301240290](#) [1301240347](#) [1301860202](#)