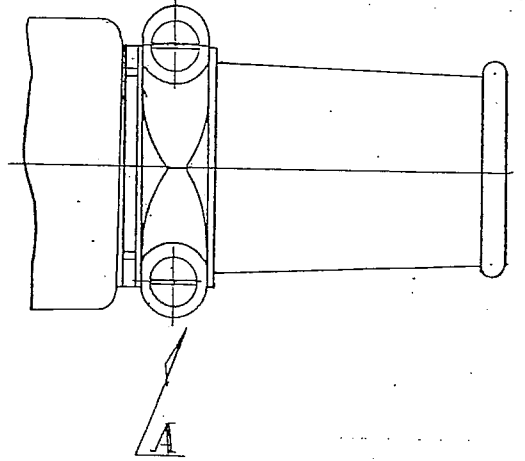
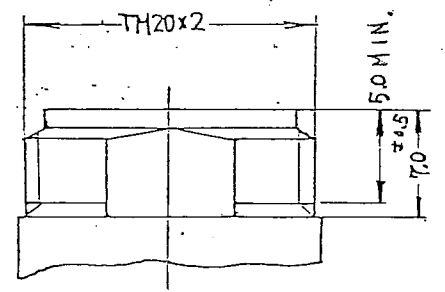
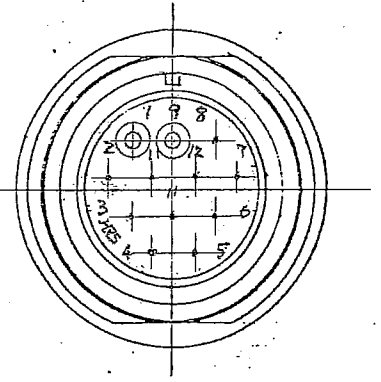
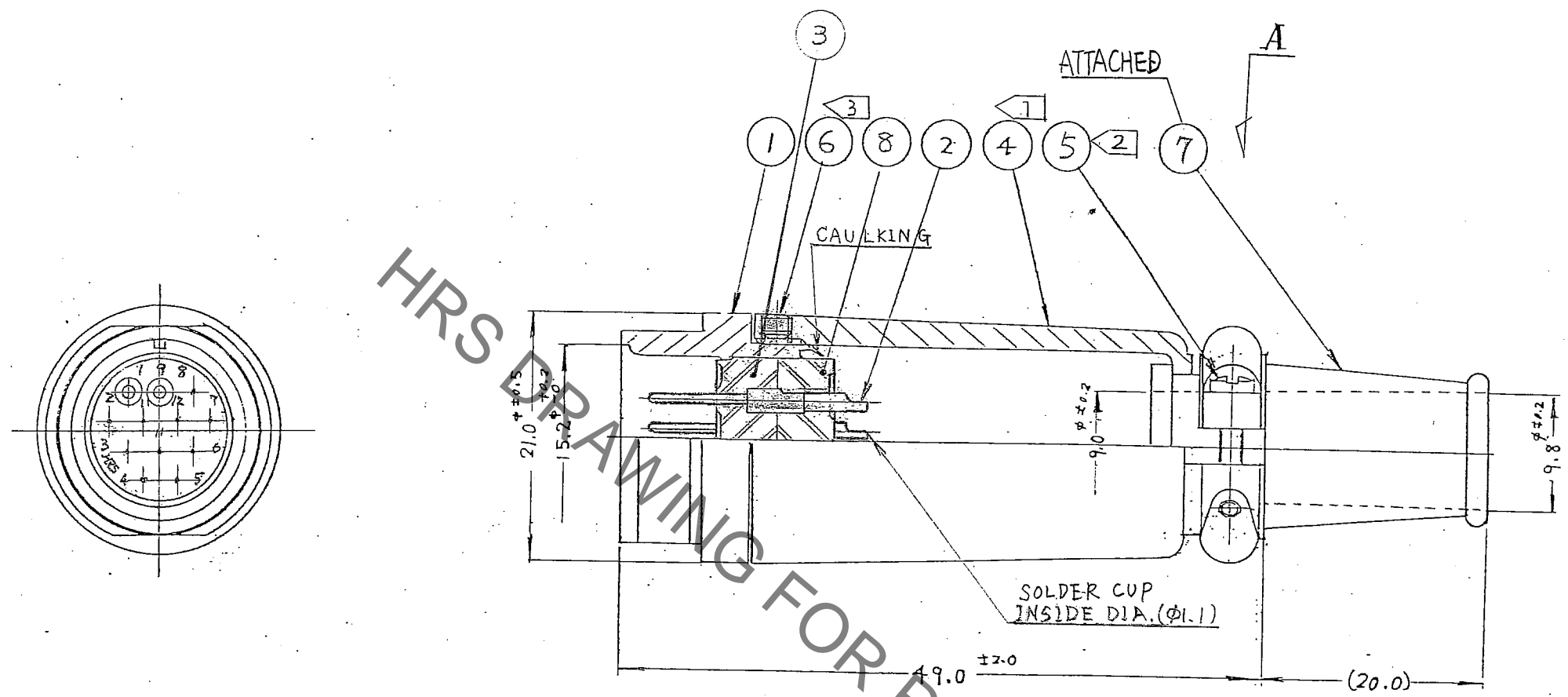


Jun.1.2019 Copyright 2019 HIROSE ELECTRIC CO., LTD. All Rights Reserved.  
In case of consideration for using Automotive equipment / device which demand high reliability, kindly contact our sales window correspondents.

COUNT	DESCRIPTION OF REVISIONS	BY	CHKD	DATE	COUNT	DESCRIPTION OF REVISIONS	BY	CHKD	DATE
1	DIS-C-001125	川島 小沢		09.02.16					



HRS DRAWING FOR REFERENCE

NOTES

- ① THE RECOMMENDED CLAMP TORQUE OF REF.NO. ④ TO BE 2 TO 3 N·m.
- ② THE RECOMMENDED CLAMP TORQUE OF REF.NO. ⑤ TO BE 0.12 TO 0.15 N·m.
- ③ THE RECOMMENDED CLAMP TORQUE OF REF.NO. ⑥ TO BE 0.3 TO 0.4 N·m.  
RECOMMENDED ADHESIVE TO PREVENT LOOSENESS OF THE SCREW FOR REF.NO. ⑥ : PRODUCT NO. LOCTITE 242.
- 4 ROTATION EXAMPLES OF REF.NO. ① AND ④ ARE SHOWN.

NO.	MATERIAL	FINISH, REMARKS	NO.	MATERIAL	FINISH, REMARKS
4	ALUMINUM ALLOY	MATTE FINISH ALUMITE (CHROME)	8	DIALLYL PHTHALATE	(BLACK) UL94V-0
3	DIALLYL PHTHALATE	(BLACK) UL94V-0	7	CR	(BLACK)
2	BRASS	SILVER PLATING 4μm min.	6	STEEL	NICKEL PLATING HEXAGON SOCKET SET SCREW M2.6×0.45×2
1	ZINC ALLOY	MATTE FINISH CHROME PLATE	5	BRASS	NICKEL PLATING JIS B 1101 M2×0.4×8

CODE NO. (OLD) CL	DRAWN M. Ishihara 05.09.26	DESIGNED E. Yumino 05.09.26	CHECKED H. Zemba 05.09.27	APPROVED M. Sato 05.09.27	RELEASED
DRAWING NO. EDC3-008009-71		PART NO. RM15TJD-12P(71)			
SCALE 2 : 1		UNITS mm		CODE NO. CL109-0715-5-71	

TO  
R

## X-ON Electronics

Largest Supplier of Electrical and Electronic Components

*Click to view similar products for [Standard Circular Connector](#) category:*

*Click to view products by [Hirose](#) manufacturer:*

Other Similar products are found below :

[5M2530B10P](#) [600259N006](#) [600273N007](#) [6134-336-13149](#) [6134-337-11149](#) [6134-337-2390](#) [6134-341-17149](#) [6280-4SG-516](#) [6280-7SG-3DC](#)  
[6290](#) [6291A](#) [66200A-10](#) [680-SMG](#) [681-PMG](#) [CXS3102A14S2P](#) [CXS3102A181S](#) [7251-6SG-300](#) [7271-6SG-300](#) [7282-3PG-300-CH3](#) [75-](#)  
[474014-05S](#) [75-474618-01S](#) [75-474618-04P](#) [75-474618-04S](#) [799539-000](#) [MI8-SE](#) [805-005-07NF11-19PC](#) [805-005-07NF15-7PA](#) [8280-4PG-](#)  
[516](#) [8280-7PG-519](#) [8282-5PG-519](#) [836783-1](#) [MP-4102-25P-C](#) [862256-1](#) [864019-2](#) [866857-1](#) [867865-1](#) [PT01SP-14-18P](#) [PT08P-14-5S](#)  
[PTSF06SE-14-12S](#) [120-1833-000](#) [QCM019PC2DC012B](#) [1-2069279-1](#) [121583-0217](#) [121667-0020](#) [129591AU](#) [1000B BULK](#) [RD10A16-19-](#)  
[P6CS051/1](#) [RD10A20-31-P8CS051/1](#) [RD16A14-12-S6CS051/2](#) [1301240290](#) [1301240347](#)