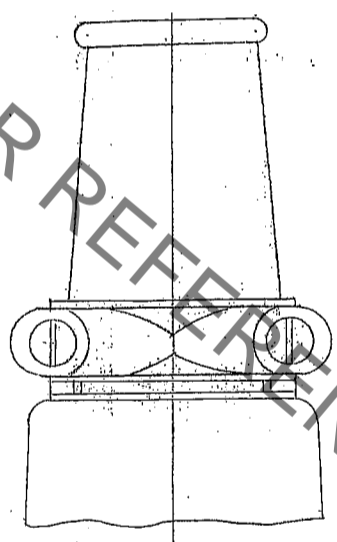
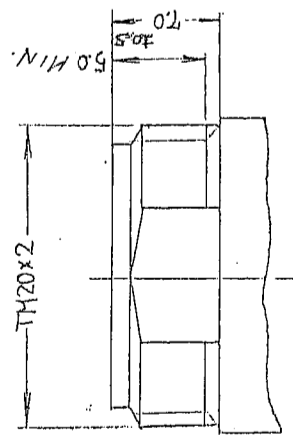
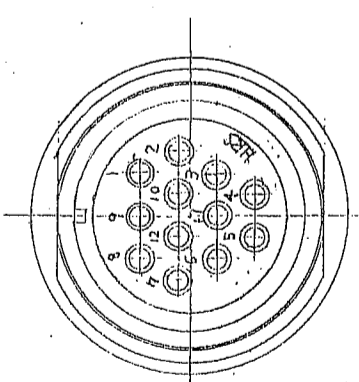
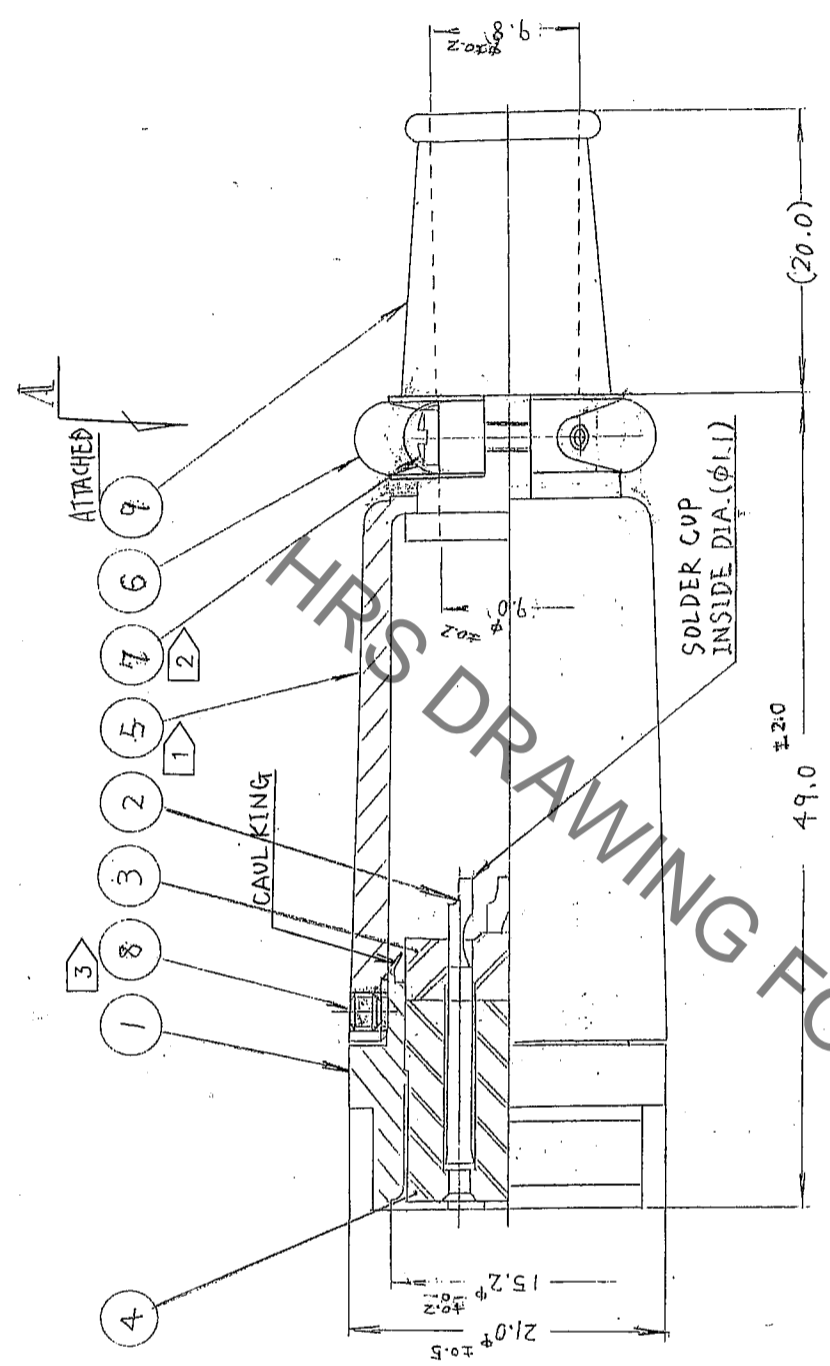


COUNT	DESCRIPTION OF REVISIONS	BY	CHKD	DATE	COUNT	DESCRIPTION OF REVISIONS	BY	CHKD	DATE



NO.	MATERIAL	FINISH, REMARKS	NO.	MATERIAL	FINISH, REMARKS
4	DIALYL PHTHALATE (BLACK)	UL94V-0	9	CR	
3	DIALYL PHTHALATE (BLACK)	UL94V-0	8	STEEL	NICKEL PLATING
2	COPPER ALLOY	SILVER PLATING 5μ m min.	7	BRASS	NICKEL PLATING M2×0.4×8
1	ZINC ALLOY	MATTE FINISH CHROME PLATE	6	ALUMINUM ALLOY	MATTE FINISH ALUMITE (CHROME)
			5	ALUMINUM ALLOY	MATTE FINISH ALUMITE (CHROME)

CODE NO. (OLD)	CL	DRAWN	DESIGNED	CHECKED	APPROVED	RELEASED
		M. Ishihara	E. Yumino	H. Zemba	M. Sato	
		05.09.26	05.09.26	05.09.27	05.09.27	

DRAWING NO.	EDC3-007497-71	PART NO.	RM15TJD-12S(71)
SCALE	2 : 1	CODE NO.	CL109-0665-9-71
UNITS	mm		

- NOTES
- ① THE RECOMMENDED CLAMP TORQUE OF REF. NO. ⑤ TO BE 2 TO 3 N · m.
 - ② THE RECOMMENDED CLAMP TORQUE OF REF. NO. ⑦ TO BE 0.12 TO 0.15 N · m.
 - ③ THE RECOMMENDED CLAMP TORQUE OF REF. NO. ⑧ TO BE 0.3 TO 0.4 N · m.
 - ④ RECOMMENDED ADHESIVE TO PREVENT LOOSENESS OF THE SCREW FOR REF. NO. ⑧ : PRODUCT NO. LOCTITE 242.
 - ⑤ ROTATION EXAMPLES OF REF. NO. ① AND ⑤ ARE SHOWN.

TO	
R	

X-ON Electronics

Largest Supplier of Electrical and Electronic Components

Click to view similar products for [Standard Circular Connector](#) category:

Click to view products by [Hirose](#) manufacturer:

Other Similar products are found below :

[5M2530B10P](#) [600259N006](#) [600273N007](#) [6134-336-13149](#) [6134-337-11149](#) [6134-337-2390](#) [6134-341-17149](#) [6280-4SG-516](#) [6280-7SG-3DC6290](#) [6291A](#) [66200A-10](#) [680-SMG](#) [681-PMG](#) [CXS3102A14S2P](#) [CXS3102A181S](#) [7251-6SG-300](#) [7271-6SG-300](#) [7282-3PG-300-CH3](#) [75-474014-05S](#) [75-474618-01S](#) [75-474618-04S](#) [799539-000](#) [MI8-SE](#) [805-005-07NF11-19PC](#) [805-005-07NF15-7PA](#) [8280-4PG-516](#) [8280-7PG-519](#) [8282-5PG-519](#) [836783-1](#) [MP-4102-25P-C](#) [862256-1](#) [864019-2](#) [866857-1](#) [867865-1](#) [PT01SP-14-18P](#) [PT08P-14-5S](#) [PTSF06SE-14-12S](#) [120-1833-000](#) [QCM019PC2DC012B](#) [1-2069279-1](#) [121583-0217](#) [121667-0020](#) [129591AU](#) [1000B BULK](#) [RD10A16-19-P6CS051/1](#) [RD10A20-31-P8CS051/1](#) [RD16A14-12-S6CS051/2](#) [1301240290](#) [1301240347](#) [1301860202](#)