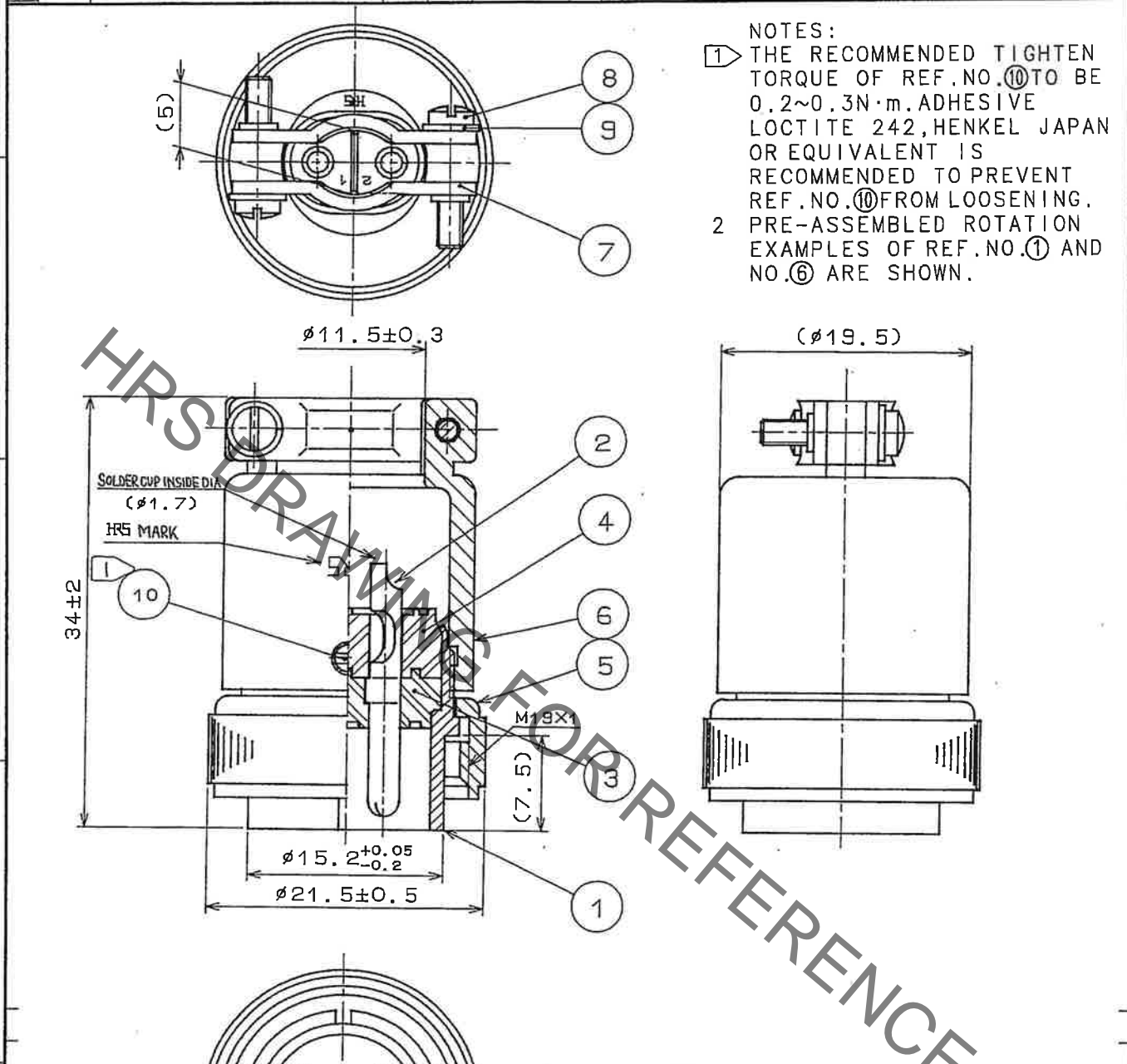


Jan.1.2022 Copyright 2022 HIROSE ELECTRIC CO., LTD. All Rights Reserved.
In case of consideration for using Automotive equipment / device which demand high reliability, kindly contact our sales window correspondents.

1		2		3		4			
COUNT	DESCRIPTION OF REVISIONS	BY	CHKD	DATE	COUNT	DESCRIPTION OF REVISIONS	BY	CHKD	DATE
▲					▲				
▲					▲				
▲					▲				



NOTES:
 1 THE RECOMMENDED TIGHTEN TORQUE OF REF.NO.⑩ TO BE 0.2~0.3N·m. ADHESIVE LOCTITE 242, HENKEL JAPAN OR EQUIVALENT IS RECOMMENDED TO PREVENT REF.NO.⑩ FROM LOOSENING.
 2 PRE-ASSEMBLED ROTATION EXAMPLES OF REF.NO.① AND NO.⑥ ARE SHOWN.

10	BRASS	NICKEL PLATING	M2.6x0.45x2
9	PHOSPHOR BRONZE	NICKEL PLATING	
8	BRASS	NICKEL PLATING	JIS B 1101 M2x0.4x10
7	BRASS	NICKEL PLATING	
6	BRASS	NICKEL PLATING	
5	BRASS	NICKEL PLATING	
2	BRASS	SILVER PLATING 2μm min.	
1	BRASS	NICKEL PLATING	
4	DIALLYL PHTHALATE	(BLACK) UL94V-0	
3	DIALLYL PHTHALATE	(BLACK) UL94V-0	
NO.	MATERIAL	FINISH, REMARKS	
NO.	MATERIAL	FINISH, REMARKS	

CODE NO. (OLD)		DRAWN	DESIGNED	CHECKED	APPROVED	RELEASED
		T. Suzuki '21.06.03	T. Suzuki '21.06.03	H. Kobayashi '21.06.07	T. Kamatsu '21.06.09	
DRAWING NO. ELC4-040368-76-00		PART NO. RM15TP-2PA(76)				
SCALE 2 : 1		CODE NO. CL109-0898-7-76				1/1
UNITS mm		HRS HIROSE ELECTRIC CO., LTD.				

X-ON Electronics

Largest Supplier of Electrical and Electronic Components

Click to view similar products for [Standard Circular Connector](#) category:

Click to view products by [Hirose](#) manufacturer:

Other Similar products are found below :

[6134-336-13149](#) [6134-337-11149](#) [6134-337-2390](#) [6134-341-17149](#) [6280-4SG-516](#) [6280-7SG-3DC](#) [6282-2SG-315](#) [67-02E12-60PX](#) [680-SMG](#) [CXS3102A181S](#) [D38999/20FC8SA L/C](#) [7251-5SG-300](#) [7282-3PG-300-CH3](#) [75-190216-08S](#) [75-190218-10P](#) [75-474014-05S](#) [75-474218-19S](#) [75-474618-04P](#) [75-474618-04S](#) [80-190222-18P](#) [805-005-07NF11-19PC](#) [805-005-07NF15-7PA](#) [8280-4PG-516](#) [8280-7PG-519](#) [862256-1](#) [866857-1](#) [867865-1](#) [PT08P-14-19S](#) [120-1833-000](#) [QCM019PC2DC012B](#) [121583-0217](#) [121667-0020](#) [RD10A16-19-P6CS051/1](#) [RD16A14-12-S6CS051/2](#) [1301240347](#) [1301790476](#) [1301240268](#) [1301240275](#) [1301860183](#) [1301860906](#) [1302261559](#) [DCU-08BFEA-LL7001](#) [RM15WTP-CP\(5\)\(71\)](#) [14381-10SG-300](#) [14482](#) [16283-18](#) [18280-3SG-315](#) [1877910-1](#) [206039-3](#) [206323-1](#)