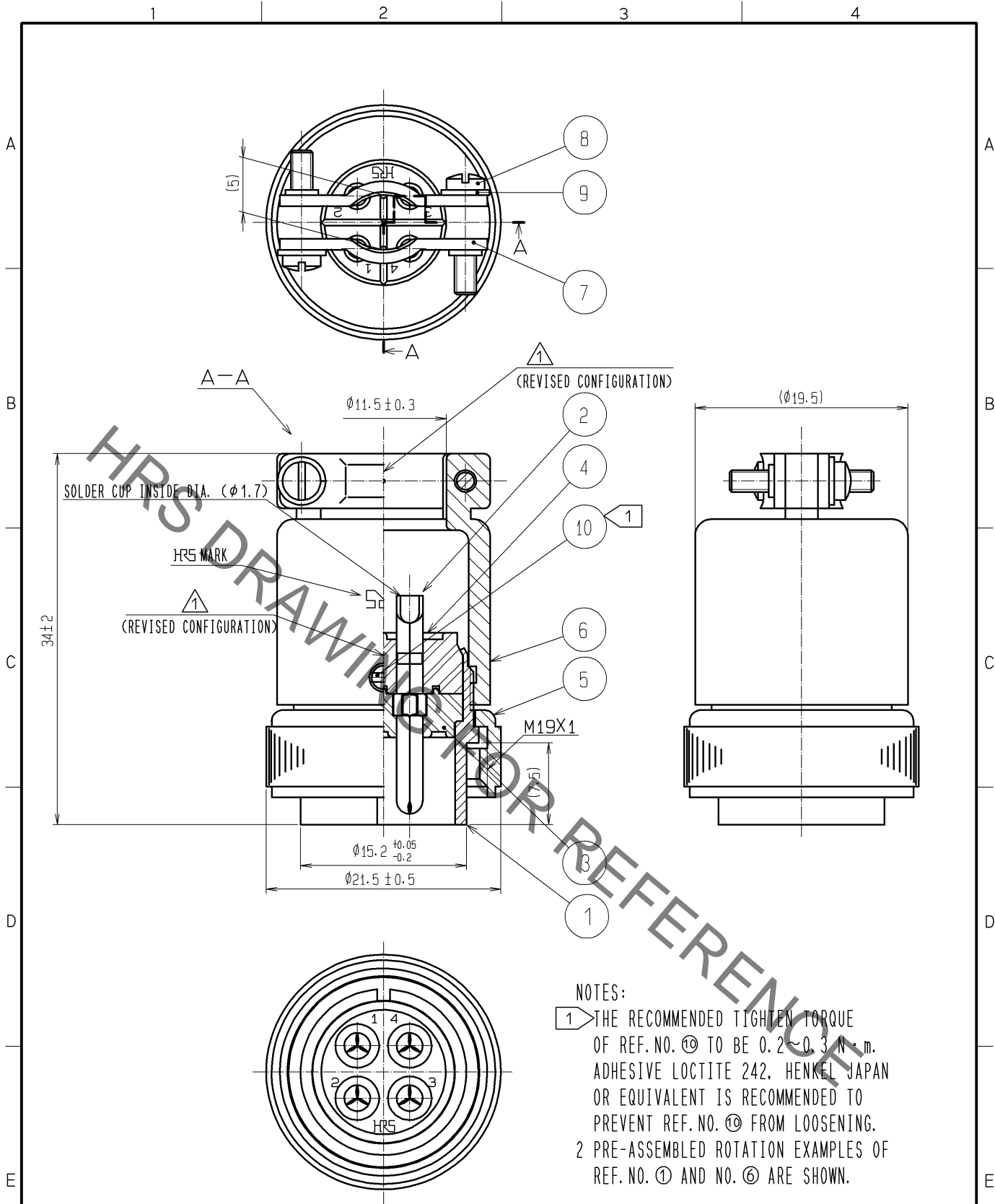


Jun.1.2019 Copyright 2019 HIROSE ELECTRIC CO., LTD. All Rights Reserved.  
 In case of consideration for using Automotive equipment / device which demand high reliability, kindly contact our sales window correspondents.



NOTES:

- ① THE RECOMMENDED TIGHTEN TORQUE OF REF. NO. ⑩ TO BE 0.2~0.3 N·m. ADHESIVE LOCTITE 242, HENKEL JAPAN OR EQUIVALENT IS RECOMMENDED TO PREVENT REF. NO. ⑩ FROM LOOSENING.
- ② PRE-ASSEMBLED ROTATION EXAMPLES OF REF. NO. ① AND NO. ⑥ ARE SHOWN.

5	BRASS	NICKEL PLATING	10	BRASS	NICKEL PLATING M2.6X0.45X2
4	DIALLYL PHTHALATE	(BLACK) UL94V-0	9	PHOSPHOR BRONZE	NICKEL PLATING
3	DIALLYL PHTHALATE	(BLACK) UL94V-0	8	BRASS	NICKEL PLATING JIS B 1101 M2X0.4X10
2	BRASS	SILVER PLATING 2 μm min.	7	BRASS	NICKEL PLATING
1	BRASS	NICKEL PLATING	6	BRASS	NICKEL PLATING
NO.	MATERIAL	FINISH . REMARKS	NO.	MATERIAL	FINISH . REMARKS

UNITS mm	SCALE	COUNT	DESCRIPTION OF REVISIONS	DESIGNED	CHECKED	DATE
	2 : 1	2	DIS-C-001596	TH. KAMEYA	HY. KISHI	10.02.08
<b>HRS</b> HIROSE ELECTRIC CO., LTD.			APPROVED : MO. SATOH 06.05.19 CHECKED : MO. SATOH 06.05.19 DESIGNED : EM. YUMINO 06.05.18 DRAWN : EM. YUMINO 06.05.18	DRAWING NO. EDC4-040369-71 PART NO. RM15TP-4PA(71) CODE NO. CL109-0899-0-71	1/1	

## X-ON Electronics

Largest Supplier of Electrical and Electronic Components

*Click to view similar products for [Standard Circular Connector](#) category:*

*Click to view products by [Hirose](#) manufacturer:*

Other Similar products are found below :

[5M2530B10P](#) [600259N006](#) [600273N007](#) [6134-336-13149](#) [6134-337-11149](#) [6134-337-2390](#) [6134-341-17149](#) [6280-4SG-516](#) [6280-7SG-3DC](#)  
[6290](#) [6291A](#) [66200A-10](#) [680-SMG](#) [681-PMG](#) [CXS3102A14S2P](#) [CXS3102A181S](#) [7251-6SG-300](#) [7271-6SG-300](#) [7282-3PG-300-CH3](#) [75-](#)  
[474014-05S](#) [75-474618-01S](#) [75-474618-04P](#) [75-474618-04S](#) [799539-000](#) [MI8-SE](#) [805-005-07NF11-19PC](#) [805-005-07NF15-7PA](#) [8280-4PG-](#)  
[516](#) [8280-7PG-519](#) [8282-5PG-519](#) [836783-1](#) [MP-4102-25P-C](#) [862256-1](#) [864019-2](#) [866857-1](#) [867865-1](#) [PT01SP-14-18P](#) [PT08P-14-5S](#) [120-](#)  
[1833-000](#) [QCM019PC2DC012B](#) [1-2069279-1](#) [121583-0217](#) [121667-0020](#) [129591AU](#) [1000B BULK](#) [RD10A16-19-P6CS051/1](#) [RD10A20-31-](#)  
[P8CS051/1](#) [RD16A14-12-S6CS051/2](#) [1301240290](#) [1301240347](#) [1301860202](#)