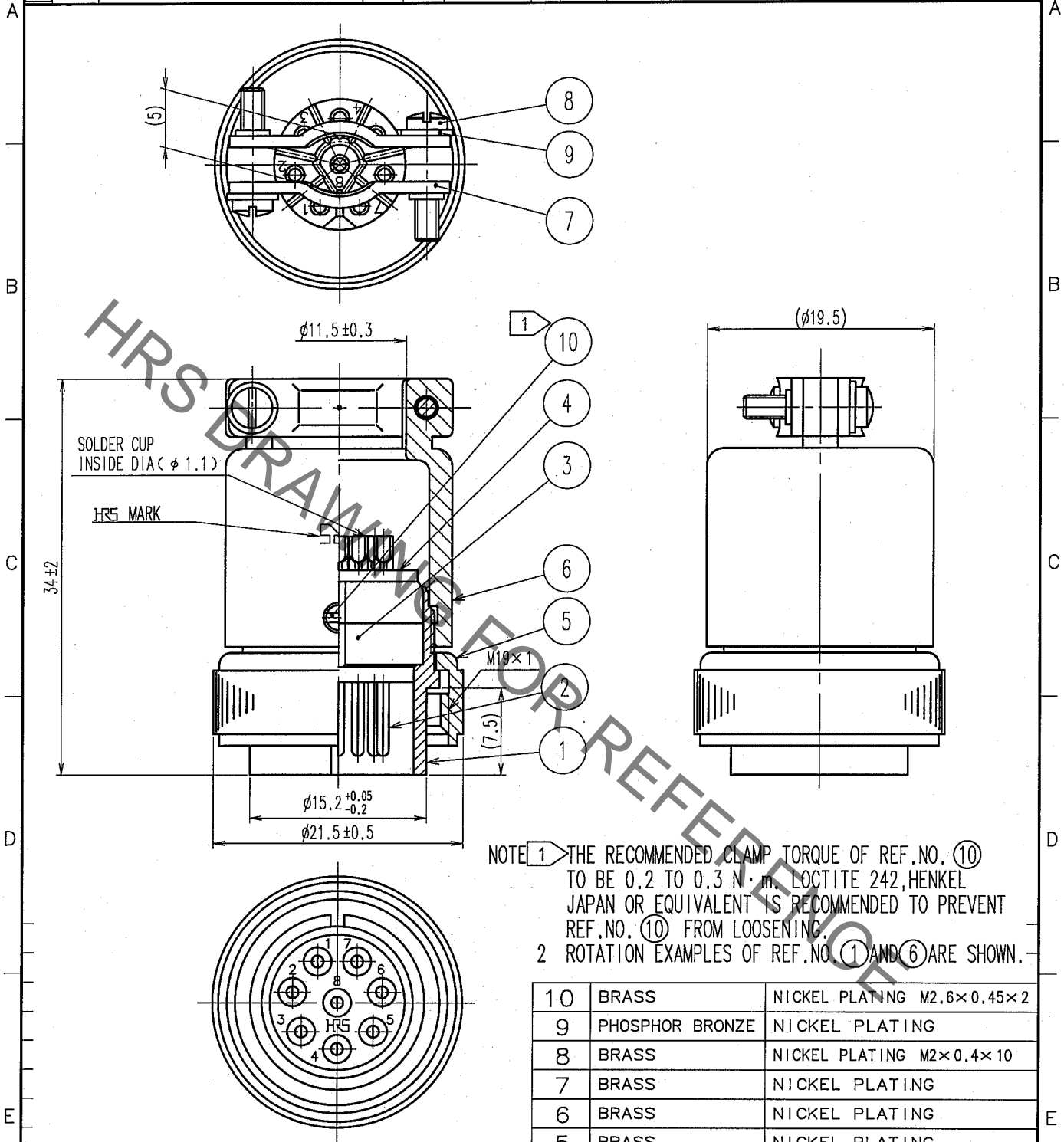


Jun.1.2019 Copyright 2019 HIROSE ELECTRIC CO., LTD. All Rights Reserved.
In case of consideration for using Automotive equipment / device which demand high reliability, kindly contact our sales window correspondents.

1			2			3			4					
COUNT	DESCRIPTION OF REVISIONS	BY	CHKD	DATE	COUNT	DESCRIPTION OF REVISIONS	BY	CHKD	DATE	COUNT	DESCRIPTION OF REVISIONS	BY	CHKD	DATE
△					△					△				
△					△					△				
△					△					△				



NOTE 1 THE RECOMMENDED CLAMP TORQUE OF REF.NO. (10) TO BE 0.2 TO 0.3 N·m. LOCTITE 242, HENKEL JAPAN OR EQUIVALENT IS RECOMMENDED TO PREVENT REF.NO. (10) FROM LOOSENING.
2 ROTATION EXAMPLES OF REF.NO. (1) AND (6) ARE SHOWN.

10	BRASS	NICKEL PLATING	M2.6×0.45×2
9	PHOSPHOR BRONZE	NICKEL PLATING	
8	BRASS	NICKEL PLATING	M2×0.4×10
7	BRASS	NICKEL PLATING	
6	BRASS	NICKEL PLATING	
5	BRASS	NICKEL PLATING	
2	COPPER ALLOY	SILVER PLATING	2μ m min.
1	BRASS	NICKEL PLATING	
4	DIALLYL PHTHALATE	(BLACK)	UL94V-0
3	DIALLYL PHTHALATE	(BLACK)	UL94V-0

NO.	MATERIAL	FINISH, REMARKS
2	COPPER ALLOY	SILVER PLATING 2μ m min.
1	BRASS	NICKEL PLATING

NO.	MATERIAL	FINISH, REMARKS
10	BRASS	NICKEL PLATING M2.6×0.45×2
9	PHOSPHOR BRONZE	NICKEL PLATING
8	BRASS	NICKEL PLATING M2×0.4×10
7	BRASS	NICKEL PLATING
6	BRASS	NICKEL PLATING
5	BRASS	NICKEL PLATING
2	COPPER ALLOY	SILVER PLATING 2μ m min.
1	BRASS	NICKEL PLATING
4	DIALLYL PHTHALATE	(BLACK) UL94V-0
3	DIALLYL PHTHALATE	(BLACK) UL94V-0

CODE NO. (OLD)	DRAWN	DESIGNED	CHECKED	APPROVED	RELEASED
CL	J. Komatsu	J. Komatsu	E. Kunii	M. Sato	
	06.09.14	06.09.14	06.09.14	06.09.15	

SCALE	DRAWING NO.	PART NO.	CODE NO.
2 : 1	EDC4-028097-71	RM15TP-8PH(71)	CL109-0856-7-71
UNITS mm	HRS HIROSE ELECTRIC CO., LTD.		

TO
R

1/1

X-ON Electronics

Largest Supplier of Electrical and Electronic Components

Click to view similar products for [Standard Circular Connector](#) category:

Click to view products by [Hirose](#) manufacturer:

Other Similar products are found below :

[5M2530B10P](#) [600259N006](#) [600273N007](#) [6134-336-13149](#) [6134-337-11149](#) [6134-337-2390](#) [6134-341-17149](#) [6280-4SG-516](#) [6280-7SG-3DC](#)
[6290](#) [6291A](#) [66200A-10](#) [680-SMG](#) [681-PMG](#) [CXS3102A14S2P](#) [CXS3102A181S](#) [7251-6SG-300](#) [7271-6SG-300](#) [7282-3PG-300-CH3](#) [75-](#)
[474014-05S](#) [75-474618-01S](#) [75-474618-04P](#) [75-474618-04S](#) [799539-000](#) [MI8-SE](#) [805-005-07NF11-19PC](#) [805-005-07NF15-7PA](#) [8280-4PG-](#)
[516](#) [8280-7PG-519](#) [8282-5PG-519](#) [836783-1](#) [MP-4102-25P-C](#) [862256-1](#) [864019-2](#) [866857-1](#) [867865-1](#) [PT01SP-14-18P](#) [PT08P-14-5S](#)
[PTSF06SE-14-12S](#) [120-1833-000](#) [QCM019PC2DC012B](#) [1-2069279-1](#) [121583-0217](#) [121667-0020](#) [129591AU](#) [1000B BULK](#) [RD10A16-19-](#)
[P6CS051/1](#) [RD10A20-31-P8CS051/1](#) [RD16A14-12-S6CS051/2](#) [1301240290](#) [1301240347](#)