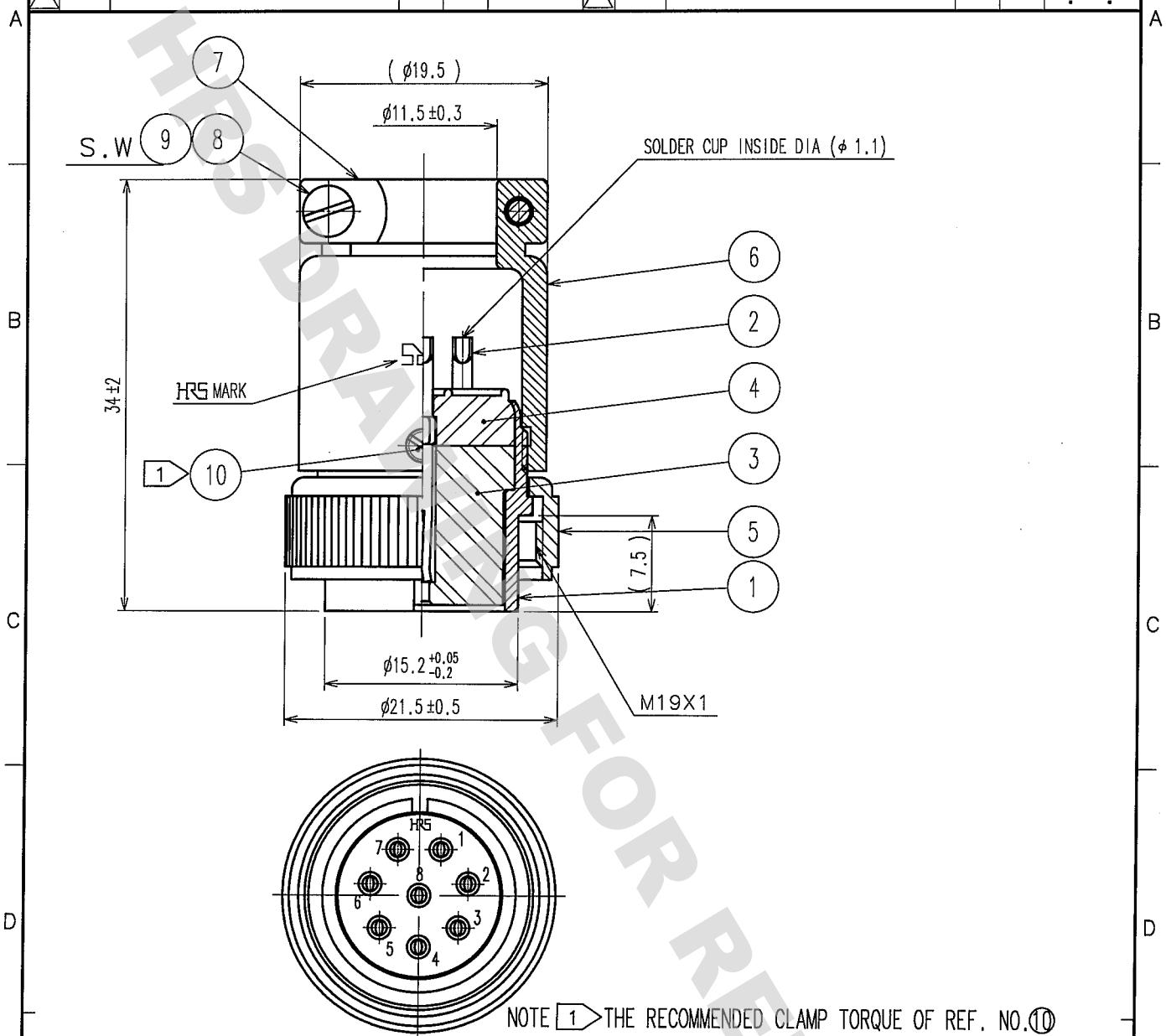


1		2			3			4		
COUNT	DESCRIPTION OF REVISIONS	BY	CHKD	DATE	COUNT	DESCRIPTION OF REVISIONS	BY	CHKD	DATE	
△					△					
△					△					
△					△					



NOTE ① THE RECOMMENDED CLAMP TORQUE OF REF. NO. ⑩ TO BE 0.2~0.3 N·m. LOCTITE 242, LOCTITE JAPAN OR EQUIVALENT IS RECOMMENDED TO PREVENT REF. NO. ⑩ FROM LOOSENING.
 2 ROTATION EXAMPLES OF REF. NO. ① AND ⑥ ARE SHOWN.

5	BRASS	NICKEL PLATING	10	BRASS	NICKEL PLATING
4	DIALYL PHTHALATE	(BLACK) UL94V-0	9	PHOSPHOR BRONZE	NICKEL PLATING
3	DIALYL PHTHALATE	(BLACK) UL94V-0	8	BRASS	NICKEL PLATING
2	COPPER ALLOY	SILVER PLATING 5μm min.	7	BRASS	NICKEL PLATING
1	BRASS	NICKEL PLATING	6	BRASS	NICKEL PLATING
NO.	MATERIAL	FINISH, REMARKS	NO.	MATERIAL	FINISH, REMARKS

CODE NO. (OLD)		DRAWN	DESIGNED	CHECKED	APPROVED	RELEASED
		<i>Y. Yamada</i>	<i>Y. Yamada</i>	<i>H. Zemba</i>	<i>M. Suto</i>	
		<i>05.08.26</i>	<i>05.08.26</i>	<i>05.08.30</i>	<i>05.09.01</i>	

SACLE 2 : 1	DRAWING NO.	PART NO.
	EDC4-003125-71	RM15TP-8S(71)
UNITS mm	HIROSE ELECTRIC CO., LTD.	CODE NO. CL109-0053-2-71

DRAWING FOR REFERENCE: This is subject to change without notice
08/11/2012

TO
R

X-ON Electronics

Largest Supplier of Electrical and Electronic Components

Click to view similar products for [Standard Circular Connector](#) category:

Click to view products by [Hirose](#) manufacturer:

Other Similar products are found below :

[5M2530B10P](#) [600259N006](#) [600273N007](#) [6134-336-13149](#) [6134-337-11149](#) [6134-337-2390](#) [6134-341-17149](#) [6280-4SG-516](#) [6280-7SG-3DC](#)
[6290](#) [6291A](#) [66200A-10](#) [680-SMG](#) [681-PMG](#) [CXS3102A14S2P](#) [CXS3102A181S](#) [7251-6SG-300](#) [7271-6SG-300](#) [7282-3PG-300-CH3](#) [75-](#)
[474014-05S](#) [75-474618-01S](#) [75-474618-04P](#) [75-474618-04S](#) [799539-000](#) [MI8-SE](#) [805-005-07NF11-19PC](#) [805-005-07NF15-7PA](#) [8280-4PG-](#)
[516](#) [8280-7PG-519](#) [8282-5PG-519](#) [836783-1](#) [MP-4102-25P-C](#) [862256-1](#) [864019-2](#) [866857-1](#) [867865-1](#) [PT01SP-14-18P](#) [PT08P-14-5S](#)
[PTSF06SE-14-12S](#) [120-1833-000](#) [QCM019PC2DC012B](#) [1-2069279-1](#) [121583-0217](#) [121667-0020](#) [129591AU](#) [1000B BULK](#) [RD10A16-19-](#)
[P6CS051/1](#) [RD10A20-31-P8CS051/1](#) [RD16A14-12-S6CS051/2](#) [1301240290](#) [1301240347](#)