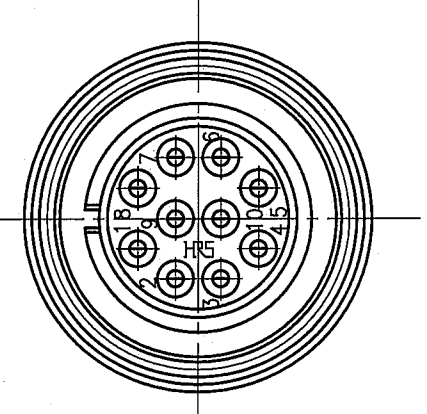
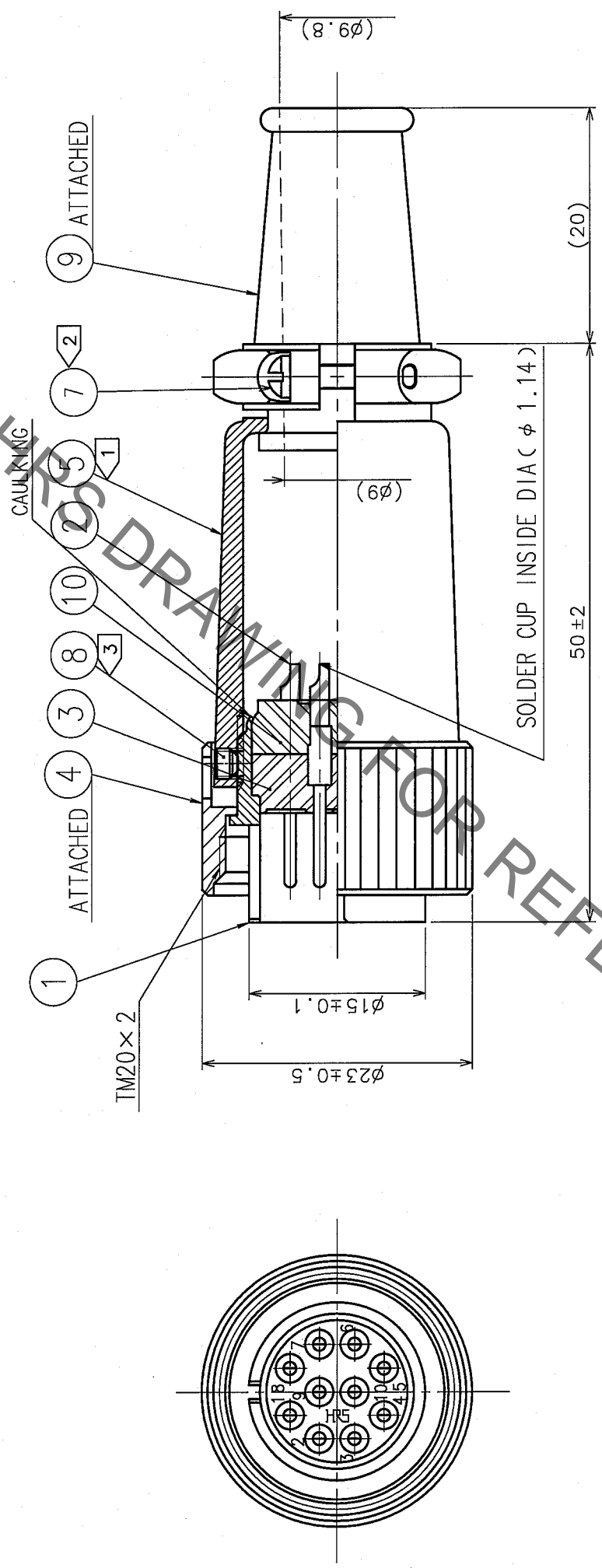
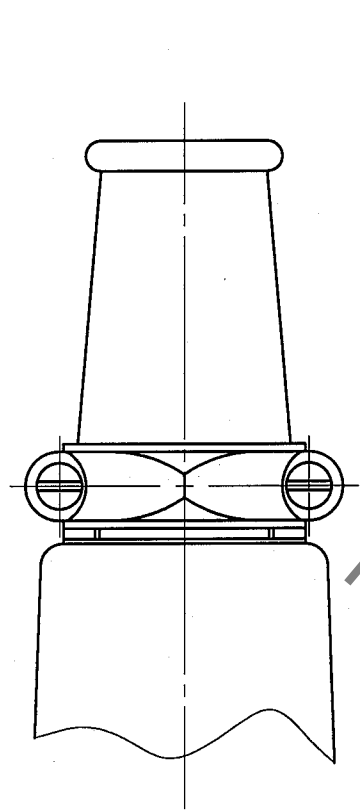


COUNT		DESCRIPTION OF REVISIONS		BY	CHKD	DATE	COUNT	DESCRIPTION OF REVISIONS		BY	CHKD	DATE
△							△					
△							△					
△							△					



5	ALUMINUM ALLOY	MATTE FINISH ALUMITE (CHROME)	10	DIALYL PHTHALATE (BLACK)	UL94V-0
4	BRASS	MATTE FINISH CHROME PLATE	9	CR	(BLACK)
3	DIALYL PHTHALATE (BLACK)	UL94V-0	8	STEEL	NICKEL PLATING HEXAGON SOCKET SET SCREW M2.6X0.45X2
2	BRASS	SILVER PLATING 4μm min.	7	BRASS	NICKEL PLATING M2X0.4X8
1	ZINC ALLOY	MATTE FINISH CHROME PLATE			
NO.	MATERIAL	FINISH, REMARKS	NO.	MATERIAL	FINISH, REMARKS

CODE NO. (OLD)	CL	DRAWN	DESIGNED	CHECKED	APPROVED	RELEASED
		U. Yamada 05.08.31	U. Yamada 05.08.31	H. Zamba 05.09.01	M. Sato 05.09.01	
DRAWING NO.	EDC3-006652-71	PART NO.	RM15TPD-10P(71)			
SCALE	2 : 1	CODE NO.	CL109-0601-6-71			
UNITS	mm					

NOTES  
 ① THE RECOMMENDED CLAMP TORQUE OF REF.NO. ⑤ TO BE 2 TO 3 N·m.  
 ② THE RECOMMENDED CLAMP TORQUE OF REF.NO. ⑦ TO BE 0.12 TO 0.15 N·m.  
 ③ THE RECOMMENDED CLAMP TORQUE OF REF.NO. ⑧ TO BE 0.3 TO 0.4 N·m.  
 ④ RECOMMENDED ADHESIVE TO PREVENT LOOSENESS OF THE SCREW FOR REF.NO. ⑧ : PRODUCT NO. LOCTITE 242.  
 ⑤ ROTATION EXAMPLES OF REF. NO. ① AND ⑤ ARE SHOWN.

TO	
R	

## X-ON Electronics

Largest Supplier of Electrical and Electronic Components

*Click to view similar products for [Standard Circular Connector](#) category:*

*Click to view products by [Hirose](#) manufacturer:*

Other Similar products are found below :

[5M2530B10P](#) [600259N006](#) [600273N007](#) [6134-336-13149](#) [6134-337-11149](#) [6134-337-2390](#) [6134-341-17149](#) [6280-4SG-516](#) [6280-7SG-3DC](#)  
[6290](#) [6291A](#) [66200A-10](#) [680-SMG](#) [681-PMG](#) [CXS3102A14S2P](#) [CXS3102A181S](#) [7251-6SG-300](#) [7271-6SG-300](#) [7282-3PG-300-CH3](#) [75-](#)  
[474014-05S](#) [75-474618-01S](#) [75-474618-04P](#) [75-474618-04S](#) [799539-000](#) [MI8-SE](#) [805-005-07NF11-19PC](#) [805-005-07NF15-7PA](#) [8280-4PG-](#)  
[516](#) [8280-7PG-519](#) [8282-5PG-519](#) [836783-1](#) [MP-4102-25P-C](#) [862256-1](#) [864019-2](#) [866857-1](#) [867865-1](#) [PT01SP-14-18P](#) [PT08P-14-5S](#) [120-](#)  
[1833-000](#) [QCM019PC2DC012B](#) [1-2069279-1](#) [121583-0217](#) [121667-0020](#) [129591AU](#) [1000B BULK](#) [RD10A16-19-P6CS051/1](#) [RD10A20-31-](#)  
[P8CS051/1](#) [RD16A14-12-S6CS051/2](#) [1301240290](#) [1301240347](#) [1301860202](#)