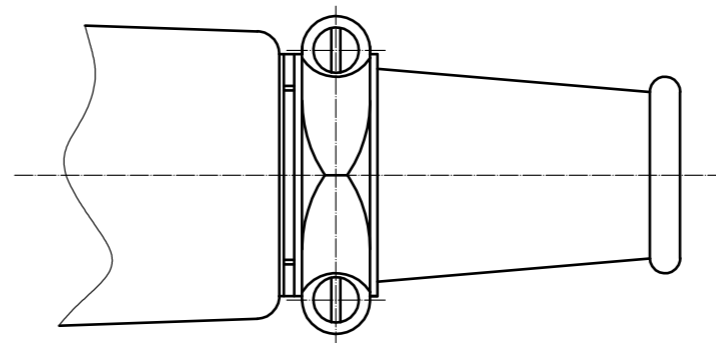
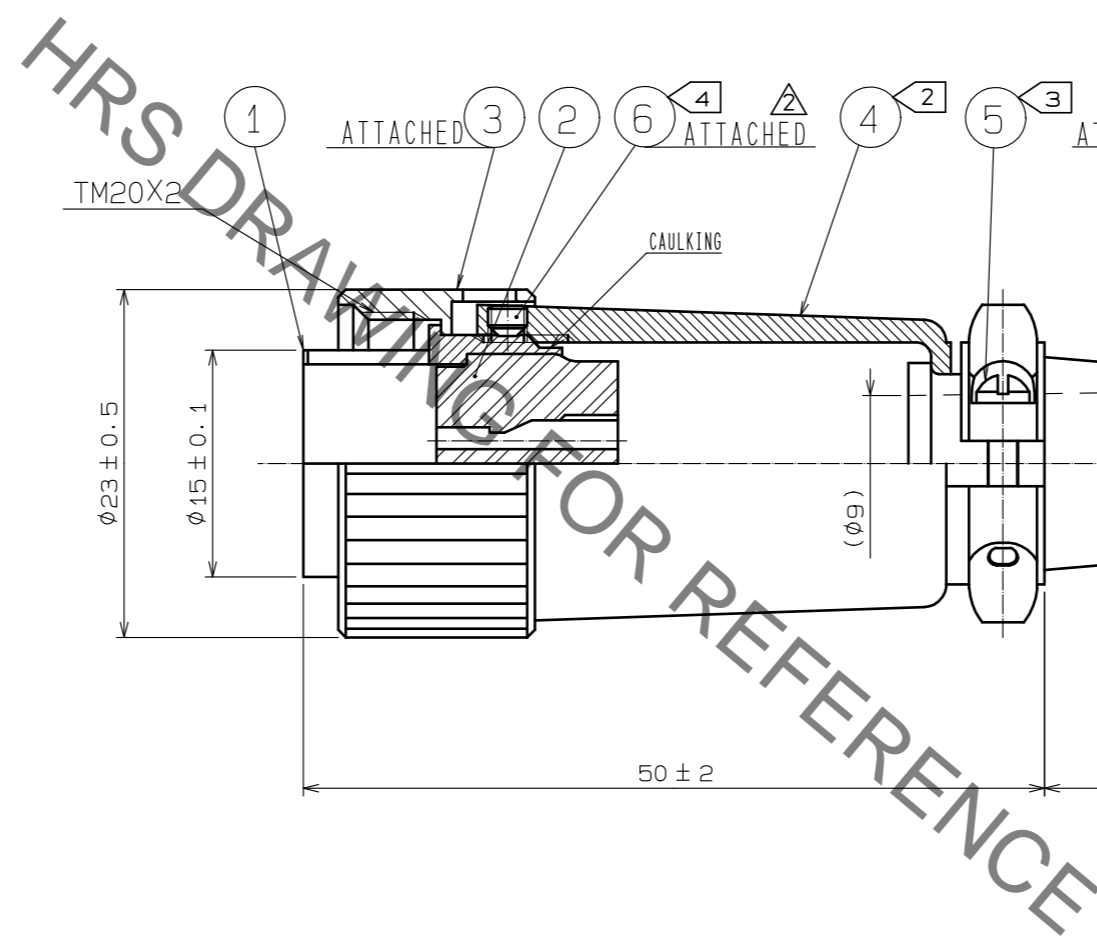
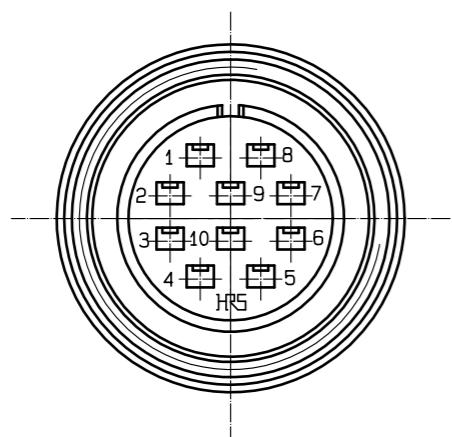


Sep.1.2021 Copyright 2021 HIROSE ELECTRIC CO., LTD. All Rights Reserved.
 In case of consideration for using Automotive equipment / device which demand high reliability, kindly contact our sales window correspondents.



- NOTES
- 1 APPLICABLE CRIMP CONTACT:
 AWG#24 ~ 20
 RM-PC-212(CL109-0670-9) OR RM-PC-112(CL109-0668-7)
 AWG#28 ~ 24
 RM-PC-222(CL109-0674-0) OR RM-PC-122(CL109-0672-4)
 - 2 THE RECOMMENDED CLAMP TORQUE REF. NO. ④: 2 TO 3 N·m
 - 3 THE RECOMMENDED CLAMP TORQUE REF. NO. ⑤: 0.12 TO 0.15 N·m
 - 4 THE RECOMMENDED CLAMP TORQUE REF. NO. ⑥: 0.3 TO 0.4 N·m
 LOCTITE 242, HENKEL JAPAN OR EQUIVALENT IS RECOMMENDED TO PREVENT
 REF. NO. ⑥ FROM LOOSENING.
 - 5 ONE EXAMPLE OF THE ROTATION OF REF. NO. ④ TO REF. NO. ① IS SHOWN.

NO.	MATERIAL	FINISH . REMARKS	NO.	MATERIAL	FINISH . REMARKS
4	ALUMINUM ALLOY	MATTE FINISH ALUMITE<CHROME>			
3	BRASS	MATTE FINISH CHROME PLATE	7	CR	<BLACK>
2	POLYCARBONATE	<BLACK> UL94V-0	6	STEEL	NICKEL PLATING HEXAGON SOCKET SET SCREW M2.6X0.45X2
1	ZINC ALLOY	MATTE FINISH CHROME PLATE	5	BRASS	NICKEL PLATING JIS B 1101 M2X0.4X8

UNITS	SCALE	COUNT	DESCRIPTION OF REVISIONS	DESIGNED	CHECKED	DATE
mm	2 : 1	1	DIS-C-00004014	TY. SUZUKI	HY. KOBAYASHI	20200625

APPROVED : MO. SATOH	20081030	DRAWING NO.	EDC3-007621-71
CHECKED : HY. KOBAYASHI	20081030	PART NO.	RM15TPD-10PC(71)
DESIGNED : MM. ISHII	20081029	CODE NO.	CL109-0677-8-71
DRAWN : MM. ISHII	20081029		

X-ON Electronics

Largest Supplier of Electrical and Electronic Components

Click to view similar products for [Standard Circular Connector](#) category:

Click to view products by [Hirose](#) manufacturer:

Other Similar products are found below :

[5M2530B10P](#) [600259N006](#) [600273N007](#) [6134-336-13149](#) [6134-337-11149](#) [6134-337-2390](#) [6134-341-17149](#) [6280-4SG-516](#) [6280-7SG-3DC](#)
[6290](#) [6291A](#) [66200A-10](#) [680-SMG](#) [681-PMG](#) [CXS3102A14S2P](#) [CXS3102A181S](#) [7251-6SG-300](#) [7271-6SG-300](#) [7282-3PG-300-CH3](#) [75-](#)
[474014-05S](#) [75-474618-01S](#) [75-474618-04P](#) [75-474618-04S](#) [799539-000](#) [MI8-SE](#) [805-005-07NF11-19PC](#) [805-005-07NF15-7PA](#) [8280-4PG-](#)
[516](#) [8280-7PG-519](#) [8282-5PG-519](#) [836783-1](#) [MP-4102-25P-C](#) [862256-1](#) [864019-2](#) [866857-1](#) [867865-1](#) [PT01SP-14-18P](#) [PT08P-14-5S](#) [120-](#)
[1833-000](#) [QCM019PC2DC012B](#) [1-2069279-1](#) [121583-0217](#) [121667-0020](#) [129591AU](#) [1000B BULK](#) [RD10A16-19-P6CS051/1](#) [RD10A20-31-](#)
[P8CS051/1](#) [RD16A14-12-S6CS051/2](#) [1301240290](#) [1301240347](#) [1301860202](#)