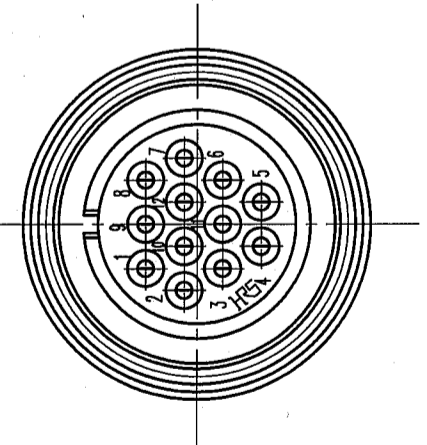
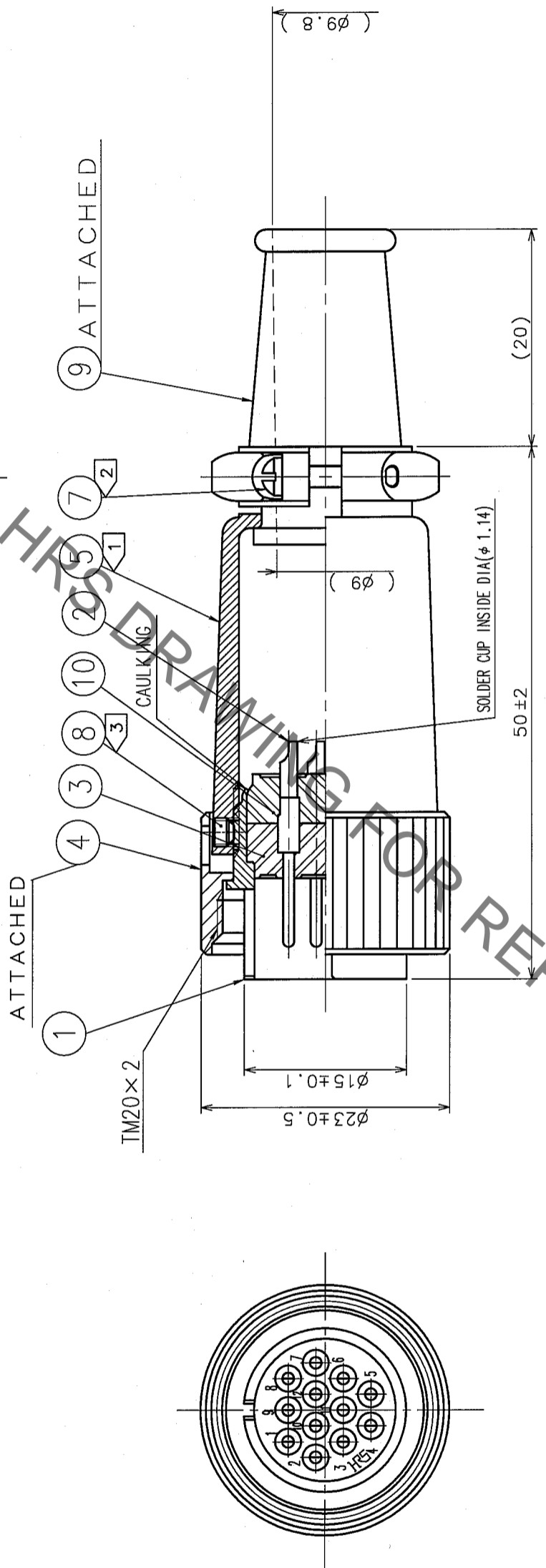
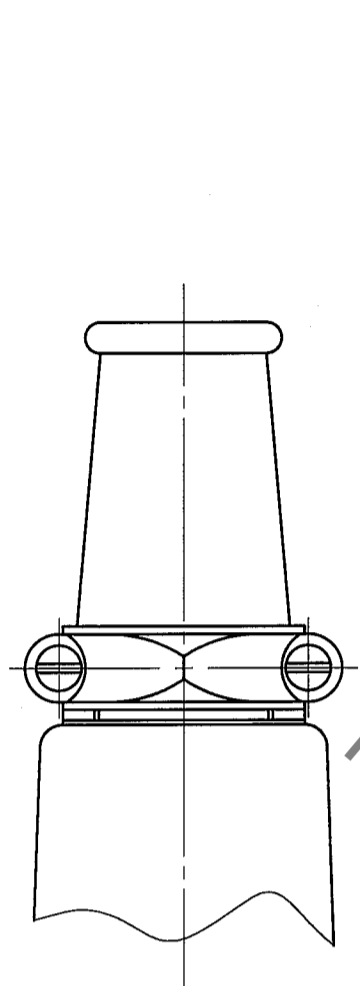


COUNT	DESCRIPTION OF REVISIONS	BY	CHKD	DATE	COUNT	DESCRIPTION OF REVISIONS	BY	CHKD	DATE
△					△				
△					△				
△					△				



- NOTES
- ① THE RECOMMENDED CLAMP TORQUE OF REF. NO. ⑤ TO BE 2 TO 3 N · m.
 - ② THE RECOMMENDED CLAMP TORQUE OF REF. NO. ⑦ TO BE 0.12 TO 0.15 N · m.
 - ③ THE RECOMMENDED CLAMP TORQUE OF REF. NO. ⑧ TO BE 0.3 TO 0.4 N · m.
 - ④ RECOMMENDED ADHESIVE TO PREVENT LOOSENESS OF THE SCREW FOR REF. NO. ⑧ : PRODUCT NO. LOCTITE 242.
 - ⑤ ROTATION EXAMPLES OF REF. NO. ① AND ⑤ ARE SHOWN.

5	ALUMINUM ALLOY	MATTE FINISH ALUMITE (CHROME)	10	DIALYL PHTHALATE (BLACK) UL94V-0	(BLACK) UL94V-0
4	BRASS	MATTE FINISH CHROME PLATE (BLACK) UL94V-0	9	CR	(BLACK)
3	DIALYL PHTHALATE	SILVER PLATING 4μ m min.	8	STEEL	HEARON SOCKET SET SCREW M2.6x0.45x2
2	BRASS	MATTE FINISH CHROME PLATE	7	BRASS	NICKEL PLATING M2x0.4x8
1	ZINC ALLOY	FINISH, REMARKS	NO.	MATERIAL	FINISH, REMARKS

CODE NO. (OLD)	CL	DRAWN	DESIGNED	CHECKED	APPROVED	RELEASED
		Y. Yamada	Y. Yamada	H. Zemba	M. Sato	
		05.08.31	05.08.31	05.09.01	05.09.01	

DRAWING NO.	EDC3-007492-71	PART NO.	RM15TPD-12P(71)
SCALE	2 : 1	CODE NO.	CL109-0660-5-71
UNITS	mm		

TO	
R	

X-ON Electronics

Largest Supplier of Electrical and Electronic Components

Click to view similar products for [Standard Circular Connector](#) category:

Click to view products by [Hirose](#) manufacturer:

Other Similar products are found below :

[5M2530B10P](#) [600259N006](#) [600273N007](#) [6134-336-13149](#) [6134-337-11149](#) [6134-337-2390](#) [6134-341-17149](#) [6280-4SG-516](#) [6280-7SG-3DC](#)
[6290](#) [6291A](#) [66200A-10](#) [680-SMG](#) [681-PMG](#) [CXS3102A14S2P](#) [CXS3102A181S](#) [7251-6SG-300](#) [7271-6SG-300](#) [7282-3PG-300-CH3](#) [75-](#)
[474014-05S](#) [75-474618-01S](#) [75-474618-04S](#) [799539-000](#) [MI8-SE](#) [805-005-07NF11-19PC](#) [805-005-07NF15-7PA](#) [8280-4PG-516](#) [8280-7PG-](#)
[519](#) [8282-5PG-519](#) [836783-1](#) [MP-4102-25P-C](#) [862256-1](#) [864019-2](#) [866857-1](#) [867865-1](#) [PT01SP-14-18P](#) [PT08P-14-5S](#) [PTSF06SE-14-12S](#)
[120-1833-000](#) [QCM019PC2DC012B](#) [1-2069279-1](#) [121583-0217](#) [121667-0020](#) [129591AU](#) [1000B BULK](#) [RD10A16-19-P6CS051/1](#)
[RD10A20-31-P8CS051/1](#) [RD16A14-12-S6CS051/2](#) [1301240290](#) [1301240347](#) [1301860202](#)