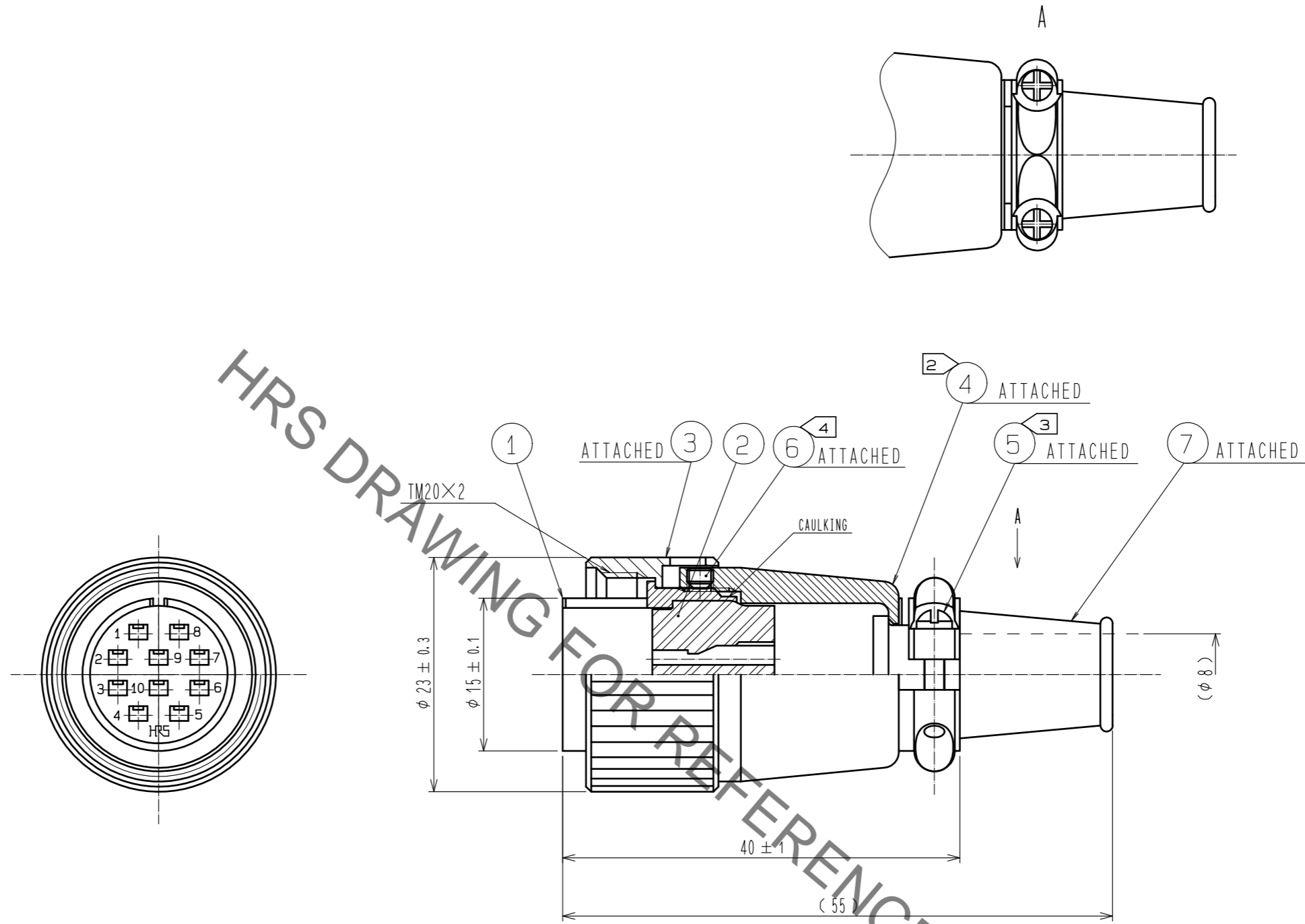


Sep.1.2021 Copyright 2021 HIROSE ELECTRIC CO., LTD. All Rights Reserved.  
In case of consideration for using Automotive equipment / device which demand high reliability, kindly contact our sales window correspondents.



- NOTES
- 1 APPLICABLE CRIMP CONTACT:  
AWG#24 ~ 20  
RM-PC-212(CL109-0670-9) OR RM-PC-112(CL109-0668-7)  
AWG#28 ~ 24  
RM-PC-222(CL109-0674-0) OR RM-PC-122(CL109-0672-4)
  - 2 THE RECOMMENDED CLAMP TORQUE REF. NO. ④ : 2 TO 3 N · m.
  - 3 THE RECOMMENDED CLAMP TORQUE REF. NO. ⑤ : 0.12 TO 0.15 N · m.
  - 4 THE RECOMMENDED CLAMP TORQUE REF. NO. ⑥ : 0.3 TO 0.4 N · m.  
LOCTITE 271, HENKEL JAPAN OR EQUIVALENT IS RECOMMENDED TO PREVENT REF. NO. ⑥ FROM LOOSENING.
  - 5 ONE EXAMPLE OF THE ROTATION OF REF. NO. ④ TO REF. NO. ① IS SHOWN.

NO.	MATERIAL	FINISH . REMARKS	NO.	MATERIAL	FINISH . REMARKS
4	ALUMINUM ALLOY	MATTE FINISH ANODIC OXIDE COATING	7	CHLOROPRENE RUBBER	(BLACK)
3	BRASS	MATTE FINISH CHROME PLATING	6	STEEL	NICKEL PLATING JISB1177 HEXAGON SOCKET SET SCREW M2, 6×0.45×2
2	POLYCARBONATE	(BLACK) UL94V-0	5	BRASS	NICKEL PLATING JISB1111 PAN HEAD MACHINE SCREW M2×0.4×8
1	ZINC ALLOY	MATTE FINISH CHROME PLATING			

UNITS	SCALE	COUNT	DESCRIPTION OF REVISIONS	DESIGNED	CHECKED	DATE
mm	2 : 1	△				
			APPROVED : HY. KOBAYASHI	18.02.22	DRAWING NO. EDC-007928-31-00	
			CHECKED : HY. KOBAYASHI	18.02.22	PART NO. RM15TPN-10PC(31)	
			DESIGNED : HY. KISHI	18.02.21	CODE NO. CL109-0712-7-31	
			DRAWN : MK. INOUE	18.02.06	1/1	

## X-ON Electronics

Largest Supplier of Electrical and Electronic Components

*Click to view similar products for [Standard Circular Connector](#) category:*

*Click to view products by [Hirose](#) manufacturer:*

Other Similar products are found below :

[5M2530B10P](#) [600259N006](#) [600273N007](#) [6134-336-13149](#) [6134-337-11149](#) [6134-337-2390](#) [6134-341-17149](#) [6280-4SG-516](#) [6280-7SG-3DC](#)  
[6290](#) [6291A](#) [66200A-10](#) [680-SMG](#) [681-PMG](#) [CXS3102A14S2P](#) [CXS3102A181S](#) [7251-6SG-300](#) [7271-6SG-300](#) [7282-3PG-300-CH3](#) [75-](#)  
[474014-05S](#) [75-474618-01S](#) [75-474618-04S](#) [799539-000](#) [MI8-SE](#) [805-005-07NF11-19PC](#) [805-005-07NF15-7PA](#) [8280-4PG-516](#) [8280-7PG-](#)  
[519](#) [8282-5PG-519](#) [836783-1](#) [MP-4102-25P-C](#) [862256-1](#) [864019-2](#) [866857-1](#) [867865-1](#) [PT01SP-14-18P](#) [PT08P-14-5S](#) [PTSF06SE-14-12S](#)  
[120-1833-000](#) [QCM019PC2DC012B](#) [1-2069279-1](#) [121583-0217](#) [121667-0020](#) [129591AU](#) [1000B BULK](#) [RD10A16-19-P6CS051/1](#)  
[RD10A20-31-P8CS051/1](#) [RD16A14-12-S6CS051/2](#) [1301240290](#) [1301240347](#) [1301860202](#)