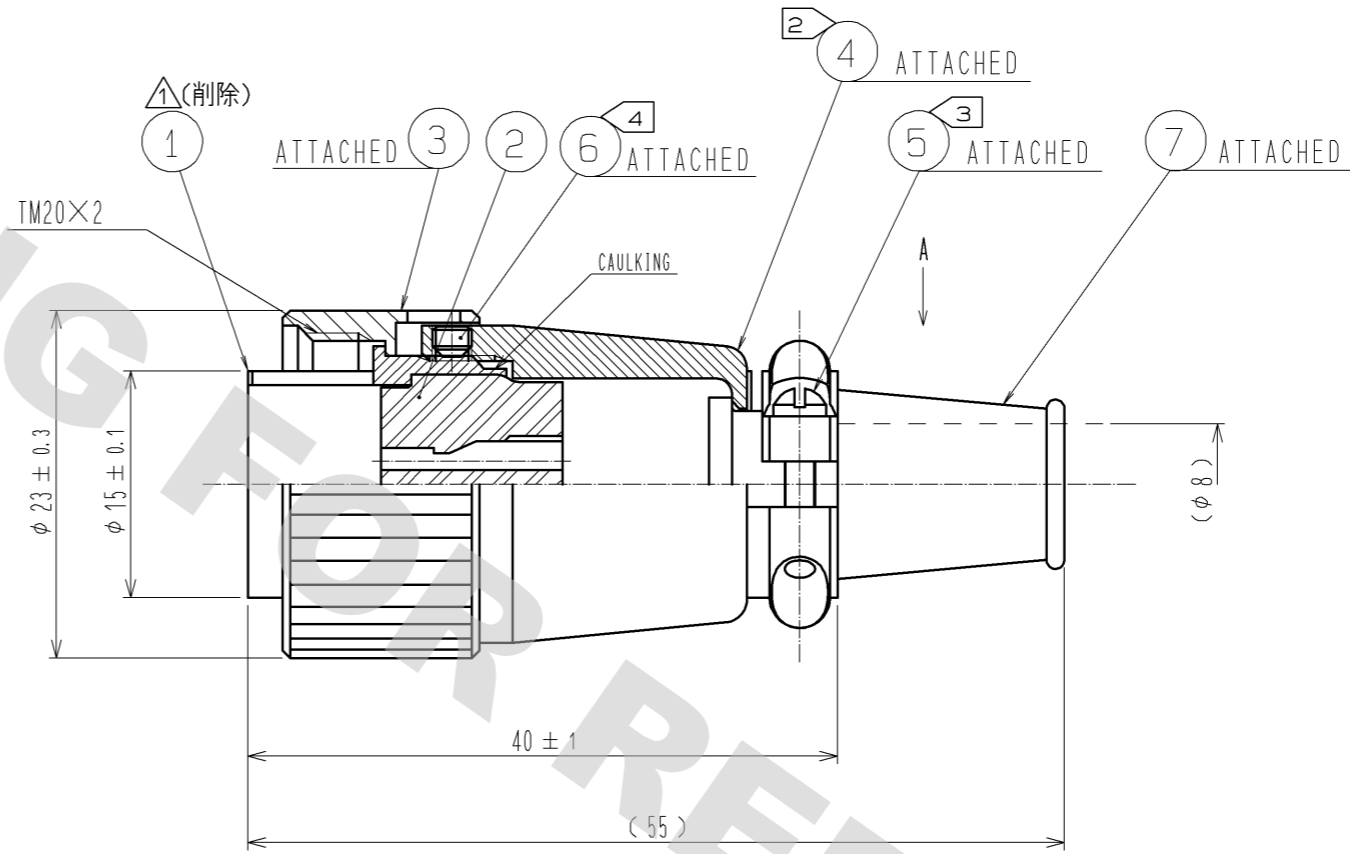
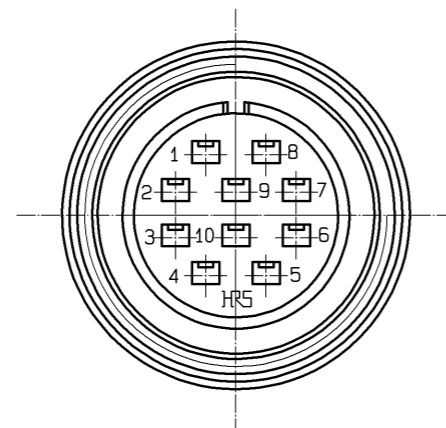
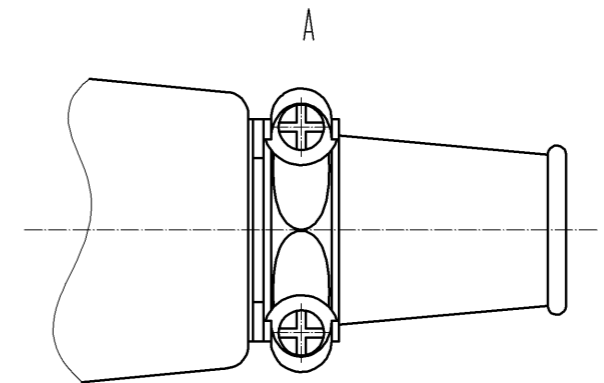


DRAWING FOR REFERENCE: This is subject to change without notice
08/11/2012

HRS DRAWING FOR REFERENCE



- NOTES
- 1 APPLICABLE CRIMP CONTACT:
AWG#24 ~ 20
RM-PC-212(CL109-0670-9) OR RM-PC-112(CL109-0668-7)
AWG#28 ~ 24
RM-PC-222(CL109-0674-0) OR RM-PC-122(CL109-0672-4)
 - 2 THE RECOMMENDED CLAMP TORQUE REF. NO. ④ : 2 TO 3 N · m.
 - 3 THE RECOMMENDED CLAMP TORQUE REF. NO. ⑤ : 0.12 TO 0.15 N · m.
 - 4 THE RECOMMENDED CLAMP TORQUE REF. NO. ⑥ : 0.3 TO 0.4 N · m.
LOCTITE 271, HENKEL JAPAN OR EQUIVALENT IS RECOMMENDED TO PREVENT REF. NO. ⑥ FROM LOOSENING.
 - 5 ONE EXAMPLE OF THE ROTATION OF REF. NO. ④ TO REF. NO. ① IS SHOWN.

NO.	MATERIAL	FINISH . REMARKS	NO.	MATERIAL	FINISH . REMARKS
4	ALUMINUM ALLOY	MATTE FINISH ANODIC OXIDE COATING ①	7	CHLOROPRENE RUBBER	(BLACK)
3	BRASS	MATTE FINISH CHROME PLATING	6	STEEL	NICKEL PLATING JISB1177 HEXAGON SOCKET SET SCREW M2.0x0.45x2
2	POLYCARBONATE	(BLACK) UL94V-0	5	BRASS	NICKEL PLATING JISB1111 PAN HEAD MACHINE SCREW M2x0.4x8
1	ZINC ALLOY	MATTE FINISH CHROME PLATING			

UNITS mm		SCALE 2 : 1	COUNT 3	DESCRIPTION OF REVISIONS DIS-C-001833	DESIGNED WR. AJIRO	CHECKED HY. KISHI	DATE 10.11.26
HRS HIROSE ELECTRIC CO., LTD.		APPROVED : MO. SATOH	08.06.27	DRAWING NO. EDC3-007928-71			
		CHECKED : HY. KOBAYASHI	08.06.27	PART NO. RM15TPN-10PC(71)			
		DESIGNED : HN. TANAKA	08.06.18	CODE NO. CL109-0712-7-71			
		DRAWN : HN. TANAKA	08.06.18				

X-ON Electronics

Largest Supplier of Electrical and Electronic Components

Click to view similar products for [Standard Circular Connector](#) category:

Click to view products by [Hirose](#) manufacturer:

Other Similar products are found below :

[5M2530B10P](#) [600259N006](#) [600273N007](#) [6134-336-13149](#) [6134-337-11149](#) [6134-337-2390](#) [6134-341-17149](#) [6280-4SG-516](#) [6280-7SG-3DC](#)
[6290](#) [6291A](#) [66200A-10](#) [680-SMG](#) [681-PMG](#) [CXS3102A14S2P](#) [CXS3102A181S](#) [7251-6SG-300](#) [7271-6SG-300](#) [7282-3PG-300-CH3](#) [75-](#)
[474014-05S](#) [75-474618-01S](#) [75-474618-04S](#) [799539-000](#) [MI8-SE](#) [805-005-07NF11-19PC](#) [805-005-07NF15-7PA](#) [8280-4PG-516](#) [8280-7PG-](#)
[519](#) [8282-5PG-519](#) [836783-1](#) [MP-4102-25P-C](#) [862256-1](#) [864019-2](#) [866857-1](#) [867865-1](#) [PT01SP-14-18P](#) [PT08P-14-5S](#) [PTSF06SE-14-12S](#)
[120-1833-000](#) [QCM019PC2DC012B](#) [1-2069279-1](#) [121583-0217](#) [121667-0020](#) [129591AU](#) [1000B BULK](#) [RD10A16-19-P6CS051/1](#)
[RD10A20-31-P8CS051/1](#) [RD16A14-12-S6CS051/2](#) [1301240290](#) [1301240347](#) [1301860202](#)