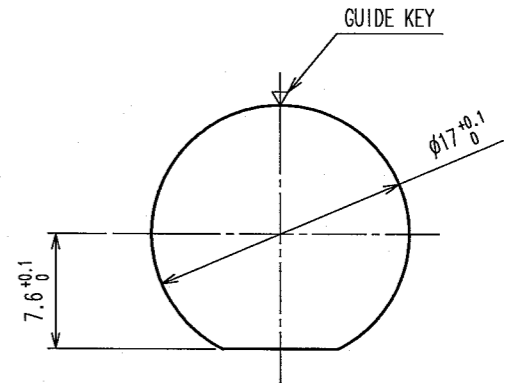
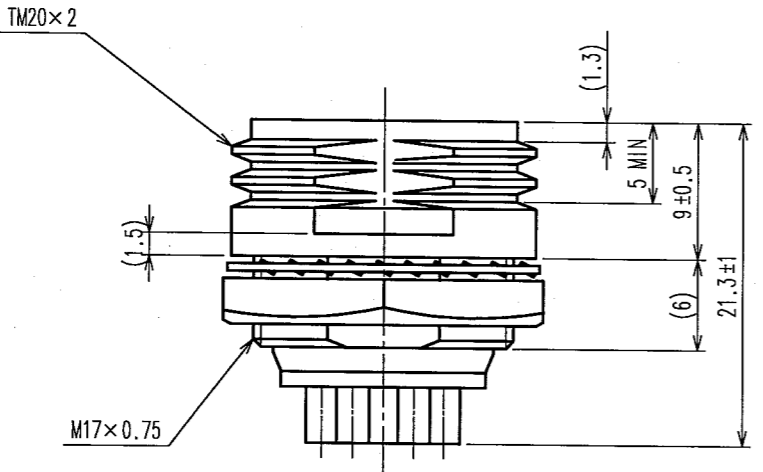
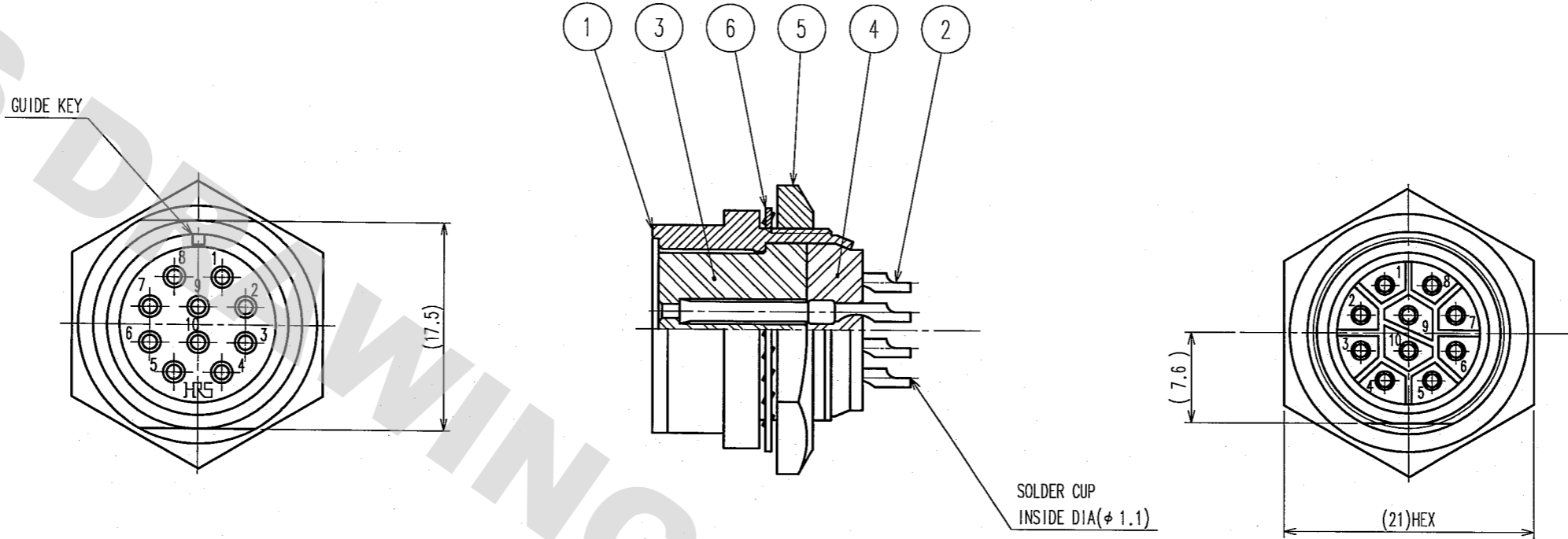


DRAWING FOR REFERENCE: This is subject to change without notice  
08/11/2012

| 5     |                          |    |      |      | 6     |                          |    |      |      | 7     |                          |    |      |      | 8     |                          |    |      |      |
|-------|--------------------------|----|------|------|-------|--------------------------|----|------|------|-------|--------------------------|----|------|------|-------|--------------------------|----|------|------|
| COUNT | DESCRIPTION OF REVISIONS | BY | CHKD | DATE | COUNT | DESCRIPTION OF REVISIONS | BY | CHKD | DATE | COUNT | DESCRIPTION OF REVISIONS | BY | CHKD | DATE | COUNT | DESCRIPTION OF REVISIONS | BY | CHKD | DATE |
| △     |                          |    |      | ..   | △     |                          |    |      | ..   | △     |                          |    |      | ..   | △     |                          |    |      | ..   |
| △     |                          |    |      | ..   | △     |                          |    |      | ..   | △     |                          |    |      | ..   | △     |                          |    |      | ..   |
| △     |                          |    |      | ..   | △     |                          |    |      | ..   | △     |                          |    |      | ..   | △     |                          |    |      | ..   |



NOTE 1 THE RECOMMENDED CLAMP TORQUE OF REE .NO. ⑤ : 3~4N·m  
LOCTITE 242, LOCTITE OR EQUIVALENT IS RECOMMENDED TO  
PREVENT REF.NO ⑤ FROM LOOSENING.

| 3   | DIALLYL PHTHALATE | (BLACK) UL94V-0            | 6   | PHOSPHOR BRONZE   | NICKEL PLATING  |
|-----|-------------------|----------------------------|-----|-------------------|-----------------|
| 2   | BRASS             | SILVER PLATING 5μ m min.   | 5   | BRASS             | NICKEL PLATING  |
| 1   | ZINC ALLOY        | MATTE FINISH CHROME PLATED | 4   | DIALLYL PHTHALATE | (BLACK) UL94V-0 |
| NO. | MATERIAL          | FINISH, REMARKS            | NO. | MATERIAL          | FINISH, REMARKS |

|                               |  |                                |                                   |                                 |                                 |                |
|-------------------------------|--|--------------------------------|-----------------------------------|---------------------------------|---------------------------------|----------------|
| CODE NO. (OLD)<br>CL          |  | DRAWN<br>E. Yumino<br>05.09.02 | DESIGNED<br>E. Yumino<br>05.09.02 | CHECKED<br>H. Zemba<br>05.09.02 | APPROVED<br>M. Sato<br>05.09.02 | RELEASED<br>.. |
| DRAWING NO.<br>EDC3-006653-71 |  |                                | PART NO.<br>RM15TRD-10S(71)       |                                 |                                 |                |
| SCALE<br>2 : 1                |  |                                | CODE NO.<br>CL109-0602-9-71       |                                 |                                 | 1/1            |
| UNITS<br>mm                   |  |                                | HRS HIROSE ELECTRIC CO., LTD      |                                 |                                 |                |

TO  
R

## X-ON Electronics

Largest Supplier of Electrical and Electronic Components

*Click to view similar products for [Standard Circular Connector](#) category:*

*Click to view products by [Hirose](#) manufacturer:*

Other Similar products are found below :

[5M2530B10P](#) [600259N006](#) [600273N007](#) [6134-336-13149](#) [6134-337-11149](#) [6134-337-2390](#) [6134-341-17149](#) [6280-4SG-516](#) [6280-7SG-3DC](#)  
[6290](#) [6291A](#) [66200A-10](#) [680-SMG](#) [681-PMG](#) [CXS3102A14S2P](#) [CXS3102A181S](#) [7251-6SG-300](#) [7271-6SG-300](#) [7282-3PG-300-CH3](#) [75-](#)  
[474014-05S](#) [75-474618-01S](#) [75-474618-04S](#) [799539-000](#) [MI8-SE](#) [805-005-07NF11-19PC](#) [805-005-07NF15-7PA](#) [8280-4PG-516](#) [8280-7PG-](#)  
[519](#) [8282-5PG-519](#) [836783-1](#) [MP-4102-25P-C](#) [862256-1](#) [864019-2](#) [866857-1](#) [867865-1](#) [PT01SP-14-18P](#) [PT08P-14-5S](#) [PTSF06SE-14-12S](#)  
[120-1833-000](#) [QCM019PC2DC012B](#) [1-2069279-1](#) [121583-0217](#) [121667-0020](#) [129591AU](#) [1000B BULK](#) [RD10A16-19-P6CS051/1](#)  
[RD10A20-31-P8CS051/1](#) [RD16A14-12-S6CS051/2](#) [1301240290](#) [1301240347](#) [1301860202](#)