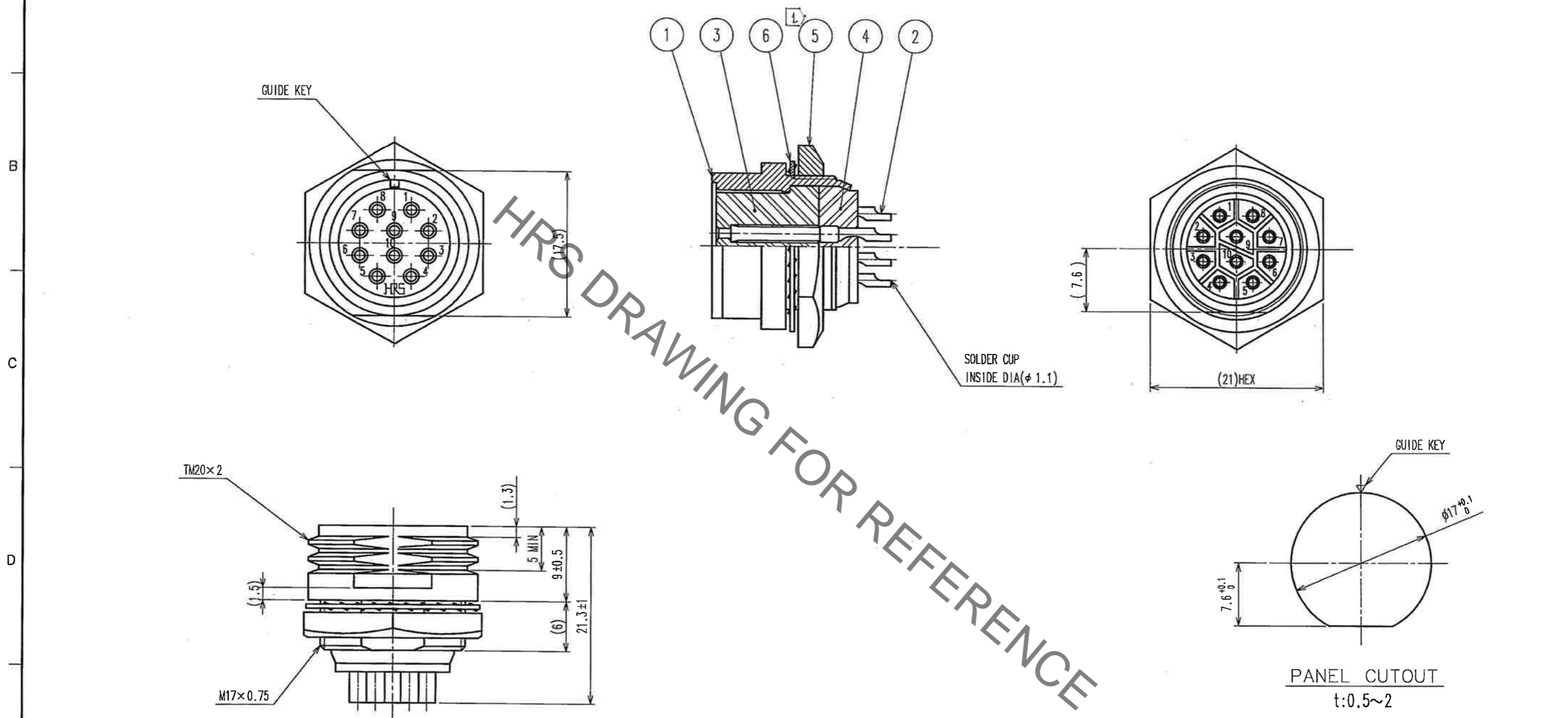


Jan. 1. 2022 Copyright 2022 HIROSE ELECTRIC CO., LTD. All Rights Reserved.  
In case of consideration for using Automotive equipment / device which demand high reliability, kindly contact our sales window correspondents.

COUNT	DESCRIPTION OF REVISIONS	BY	CHKD	DATE	COUNT	DESCRIPTION OF REVISIONS	BY	CHKD	DATE
△					△				
△					△				
△					△				



NOTE ① THE RECOMMENDED CLAMP TORQUE OF REF. NO. ⑤ : 3~4N·m  
LOCTITE 242, LOCTITE OR EQUIVALENT IS RECOMMENDED TO  
PREVENT REF. NO ⑤ FROM LOOSENING.

3	DIALLYL PHTHALATE (BLACK) UL94V-0	6	PHOSPHOR BRONZE	NICKEL PLATING	
2	COPPER ALLOY	SILVER PLATING 5μm min.	5	BRASS	NICKEL PLATING
1	ZINC ALLOY	MATTE FINISH CHROME PLATED	4	DIALLYL PHTHALATE (BLACK) UL94V-0	
NO.	MATERIAL	FINISH, REMARKS	NO.	MATERIAL	FINISH, REMARKS

CODE NO. (OLD) CL	DRAWN T. Suzuki 21.06.03	DESIGNED T. Suzuki 21.06.03	CHECKED M. Kobayashi 21.06.07	APPROVED T. Konishi 21.06.09	RELEASED
----------------------	--------------------------------	-----------------------------------	-------------------------------------	------------------------------------	----------

SCALE 2 : 1	DRAWING NO. EDC3-006653-76-00	PART NO. RM15TRD-10S(76.)
UNITS mm	<b>HRS</b> HIROSE ELECTRIC CO., LTD	CODE NO. CL109-0602-9-76

1/1

TO  
R

## X-ON Electronics

Largest Supplier of Electrical and Electronic Components

*Click to view similar products for [Standard Circular Connector](#) category:*

*Click to view products by [Hirose](#) manufacturer:*

Other Similar products are found below :

[6134-336-13149](#) [6134-337-11149](#) [6134-337-2390](#) [6134-341-17149](#) [6280-4SG-516](#) [6280-7SG-3DC](#) [6282-2SG-315](#) [67-02E12-60PX](#) [680-SMG](#) [CXS3102A181S](#) [D38999/20FC8SA L/C](#) [7251-5SG-300](#) [7282-3PG-300-CH3](#) [75-190216-08S](#) [75-190218-10P](#) [75-474014-05S](#) [75-474218-19S](#) [75-474618-04P](#) [75-474618-04S](#) [80-190222-18P](#) [805-005-07NF11-19PC](#) [805-005-07NF15-7PA](#) [8280-4PG-516](#) [8280-7PG-519](#) [862256-1](#) [866857-1](#) [867865-1](#) [PT08P-14-19S](#) [120-1833-000](#) [QCM019PC2DC012B](#) [121583-0217](#) [121667-0020](#) [RD10A16-19-P6CS051/1](#) [RD16A14-12-S6CS051/2](#) [1301240347](#) [1301790476](#) [1301240268](#) [1301240275](#) [1301860183](#) [1301860906](#) [1302261559](#) [DCU-08BFEA-LL7001](#) [RM15WTP-CP\(5\)\(71\)](#) [14381-10SG-300](#) [14482](#) [16283-18](#) [18280-3SG-315](#) [1877910-1](#) [206039-3](#) [206323-1](#)