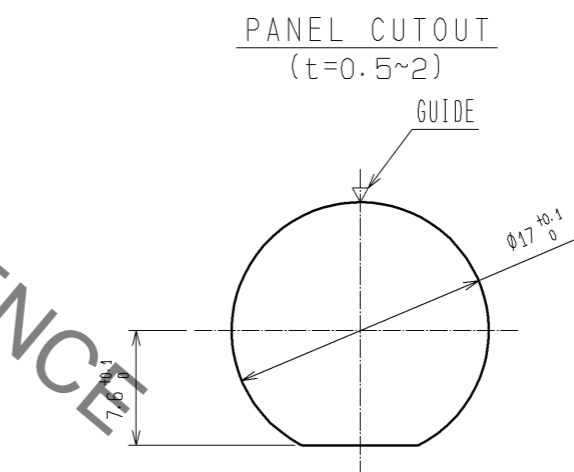
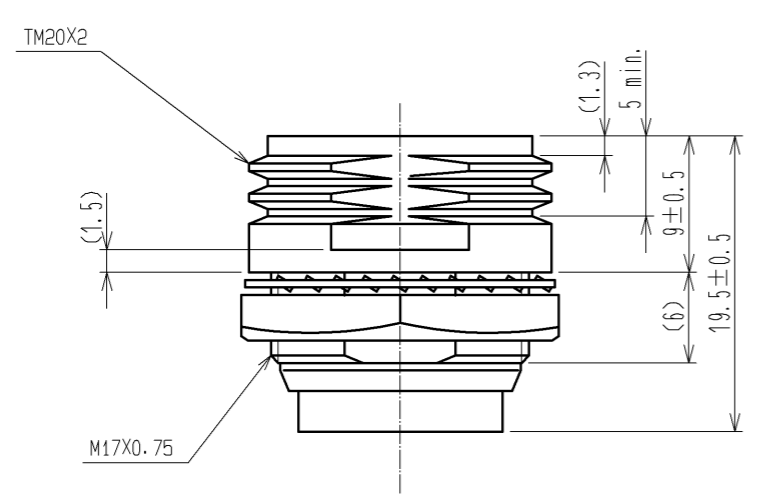
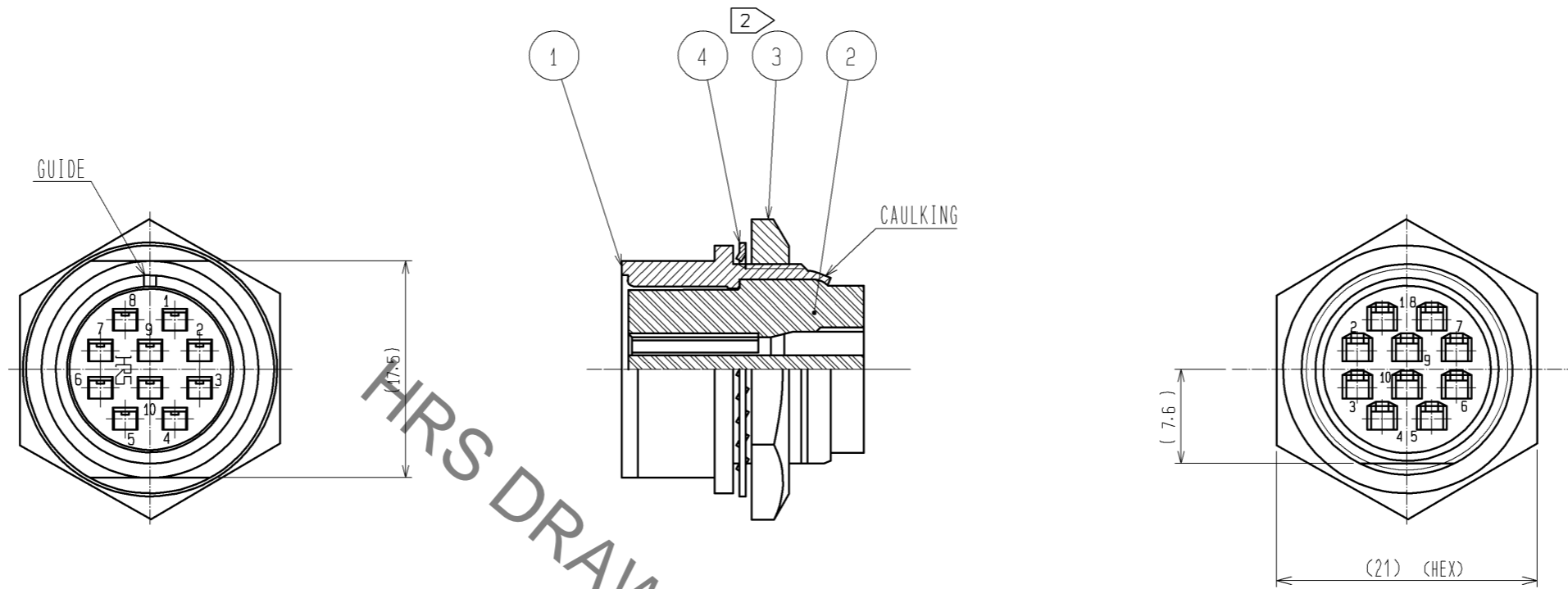


Sep.1.2021 Copyright 2021 HIROSE ELECTRIC CO., LTD. All Rights Reserved.
In case of consideration for using Automotive equipment / device which demand high reliability, kindly contact our sales window correspondents.



HRS DRAWING FOR REFERENCE

NOTES 1 APPLICABLE CONTACT : RM-SC-212 OR 112 (AWG#24~#20) AND RM-SC-222 OR 122(AWD #28~#24)
 APPLICABLE CONTACT EXTRACTION TOOL : RM-TP
 2 THE RECOMMENDED CLAMP TORQUE OF REF. NO. ③ TO BE 3~4N·m. LOCTITE 242,
 HENKEL JAPAN OR EQUIVALENT IS RECOMMENDED TO PREVENT REF. NO. ③ FROM LOOSENING.

2	POLYCARBONATE	BLACK	4	PHOSPHOR BRONZE	NICKEL PLATING			
1	ZINC ALLOY	MATTE FINISH CHROME PLATED	3	BRASS	NICKEL PLATING			
NO.	MATERIAL	FINISH . REMARKS	NO.	MATERIAL	FINISH . REMARKS			
UNITS mm			SCALE 2 : 1	COUNT 	DESCRIPTION OF REVISIONS	DESIGNED	CHECKED	DATE
APPROVED : MO. SATOH			09. 04. 15		DRAWING NO.		EDC3-007617-71	
CHECKED : SI. MATSUZAKI			09. 04. 15		PART NO.		RM15TRD-10SC(71)	
DESIGNED : HK. NAMAI			09. 04. 13		CODE NO.		CL109-0676-5-71	
DRAWN : HK. NAMAI			09. 04. 13				1/1	

X-ON Electronics

Largest Supplier of Electrical and Electronic Components

Click to view similar products for [Standard Circular Connector](#) category:

Click to view products by [Hirose](#) manufacturer:

Other Similar products are found below :

[5M2530B10P](#) [600259N006](#) [600273N007](#) [6134-336-13149](#) [6134-337-11149](#) [6134-337-2390](#) [6134-341-17149](#) [6280-4SG-516](#) [6280-7SG-3DC](#)
[6290](#) [6291A](#) [66200A-10](#) [680-SMG](#) [681-PMG](#) [CXS3102A14S2P](#) [CXS3102A181S](#) [7251-6SG-300](#) [7271-6SG-300](#) [7282-3PG-300-CH3](#) [75-](#)
[474014-05S](#) [75-474618-01S](#) [75-474618-04P](#) [75-474618-04S](#) [799539-000](#) [MI8-SE](#) [805-005-07NF11-19PC](#) [805-005-07NF15-7PA](#) [8280-4PG-](#)
[516](#) [8280-7PG-519](#) [8282-5PG-519](#) [836783-1](#) [MP-4102-25P-C](#) [862256-1](#) [864019-2](#) [866857-1](#) [867865-1](#) [PT01SP-14-18P](#) [PT08P-14-5S](#) [120-](#)
[1833-000](#) [QCM019PC2DC012B](#) [1-2069279-1](#) [121583-0217](#) [121667-0020](#) [129591AU](#) [1000B BULK](#) [RD10A16-19-P6CS051/1](#) [RD10A20-31-](#)
[P8CS051/1](#) [RD16A14-12-S6CS051/2](#) [1301240290](#) [1301240347](#) [1301860202](#)