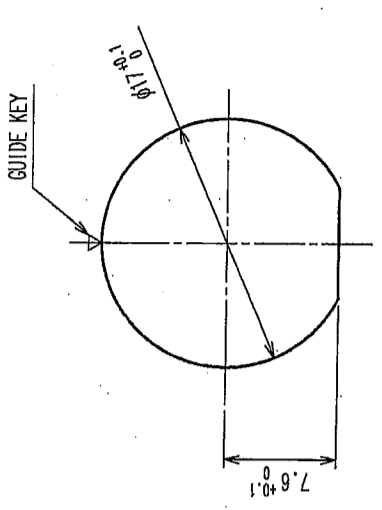
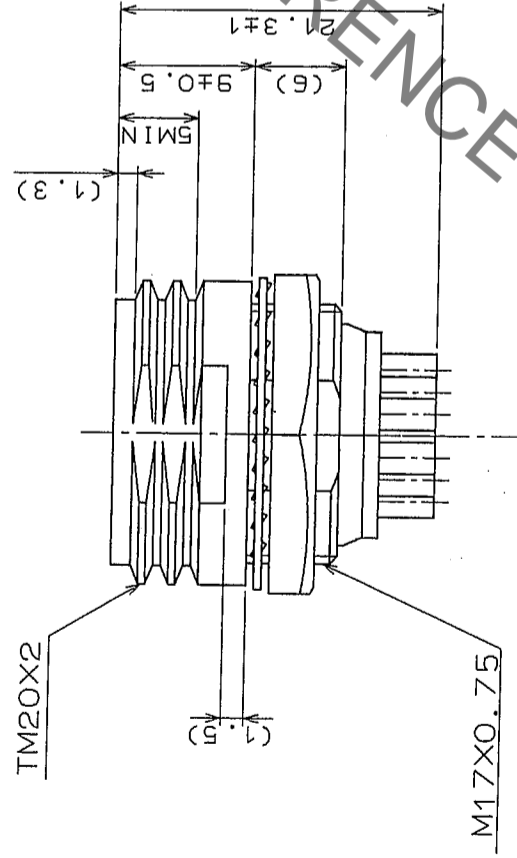
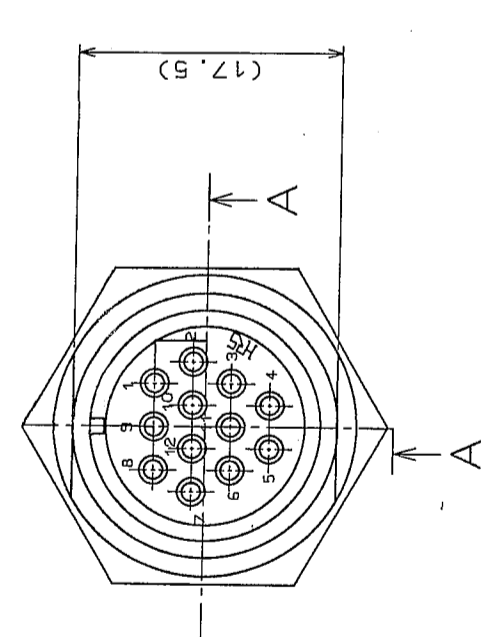
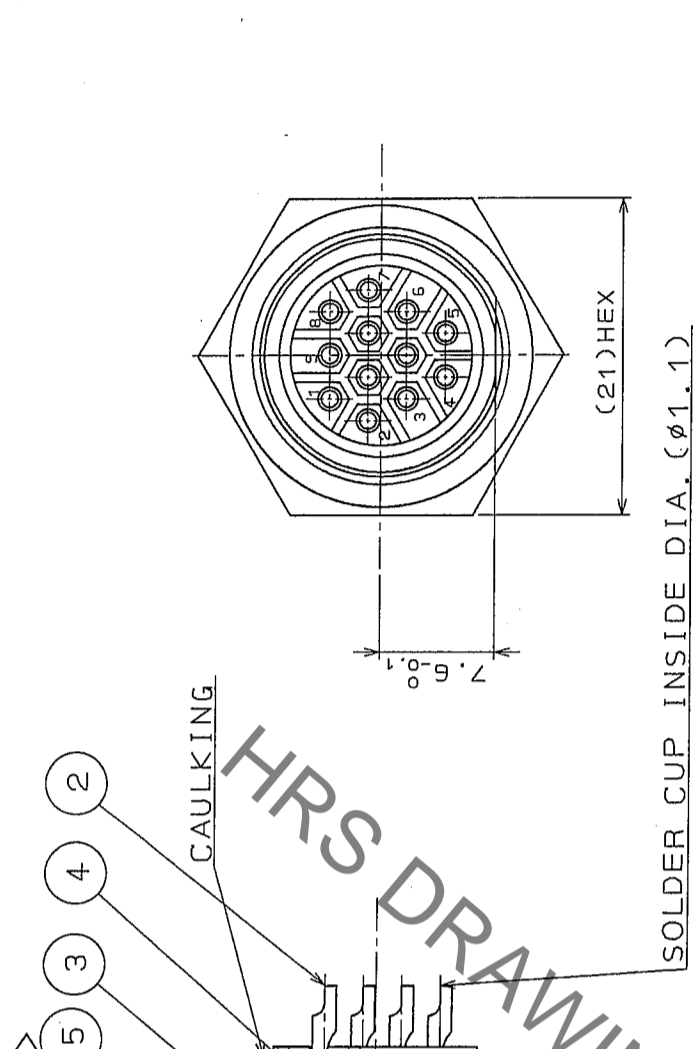


Jun.1.2019 Copyright 2019 HIROSE ELECTRIC CO., LTD. All Rights Reserved.  
 2 In case of consideration for using Automotive equipment / device which demand high reliability, kindly contact our sales window correspondents.

COUNT	DESCRIPTION OF REVISIONS	BY	CHKD	DATE	COUNT	DESCRIPTION OF REVISIONS	BY	CHKD	DATE



PANEL CUTOUT  
 t:0.5~2

NOTE [1] THE RECOMMENDED CLAMP TORQUE OF REF.NO. ⑤ : 3 TO 4 N · m.  
 LOCTITE 242, LOCTITE OR EQUIVALENT IS RECOMMENDED TO  
 PREVENT REF NO. ⑤ FROM LOOSENING.

3	DIALLYL PHTHALATE (BLACK)	UL 94V-0	6	PHOSPHOR BRONZE	NICKEL PLATING
2	COPPER ALLOY	SILVER PLATING 5μm min.	5	BRASS	NICKEL PLATING
1	ZINC ALLOY	MATTE FINISH CHROME PLATE	4	DIALLYL PHTHALATE (BLACK)	UL 94V-0
NO.	MATERIAL	FINISH . REMARKS	NO.	MATERIAL	FINISH . REMARKS
CODE NO. (OLD)		DRAWN	DESIGNED	CHECKED	APPROVED
		Y. Yamada	Y. Yamada	H. Zembu	M. Sato
		05.09.12	05.09.12	05.09.17	05.09.20
		PART NO.		RELEASED	
		EDC3-007495-71		RM15TRD-12S (71)	
SCALE		DRAWING NO.		PART NO.	
2 : 1		EDC3-007495-71		RM15TRD-12S (71)	
UNITS		DRAWING NO.		PART NO.	
mm		EDC3-007495-71		RM15TRD-12S (71)	
		HRS HIROSE ELECTRIC CO., LTD.		CODE NO.	
		HRS		CL109-0663-3-71	
				FORM NO. 225	

TO	
R	

## X-ON Electronics

Largest Supplier of Electrical and Electronic Components

*Click to view similar products for [Standard Circular Connector](#) category:*

*Click to view products by [Hirose](#) manufacturer:*

Other Similar products are found below :

[5M2530B10P](#) [600259N006](#) [600273N007](#) [6134-336-13149](#) [6134-337-11149](#) [6134-337-2390](#) [6134-341-17149](#) [6280-4SG-516](#) [6280-7SG-3DC](#)  
[6290](#) [6291A](#) [66200A-10](#) [680-SMG](#) [681-PMG](#) [CXS3102A14S2P](#) [CXS3102A181S](#) [7251-6SG-300](#) [7271-6SG-300](#) [7282-3PG-300-CH3](#) [75-](#)  
[474014-05S](#) [75-474618-01S](#) [75-474618-04S](#) [799539-000](#) [MI8-SE](#) [805-005-07NF11-19PC](#) [805-005-07NF15-7PA](#) [8280-4PG-516](#) [8280-7PG-](#)  
[519](#) [8282-5PG-519](#) [836783-1](#) [MP-4102-25P-C](#) [862256-1](#) [864019-2](#) [866857-1](#) [867865-1](#) [PT01SP-14-18P](#) [PT08P-14-5S](#) [PTSF06SE-14-12S](#)  
[120-1833-000](#) [QCM019PC2DC012B](#) [1-2069279-1](#) [121583-0217](#) [121667-0020](#) [129591AU](#) [1000B BULK](#) [RD10A16-19-P6CS051/1](#)  
[RD10A20-31-P8CS051/1](#) [RD16A14-12-S6CS051/2](#) [1301240290](#) [1301240347](#) [1301860202](#)