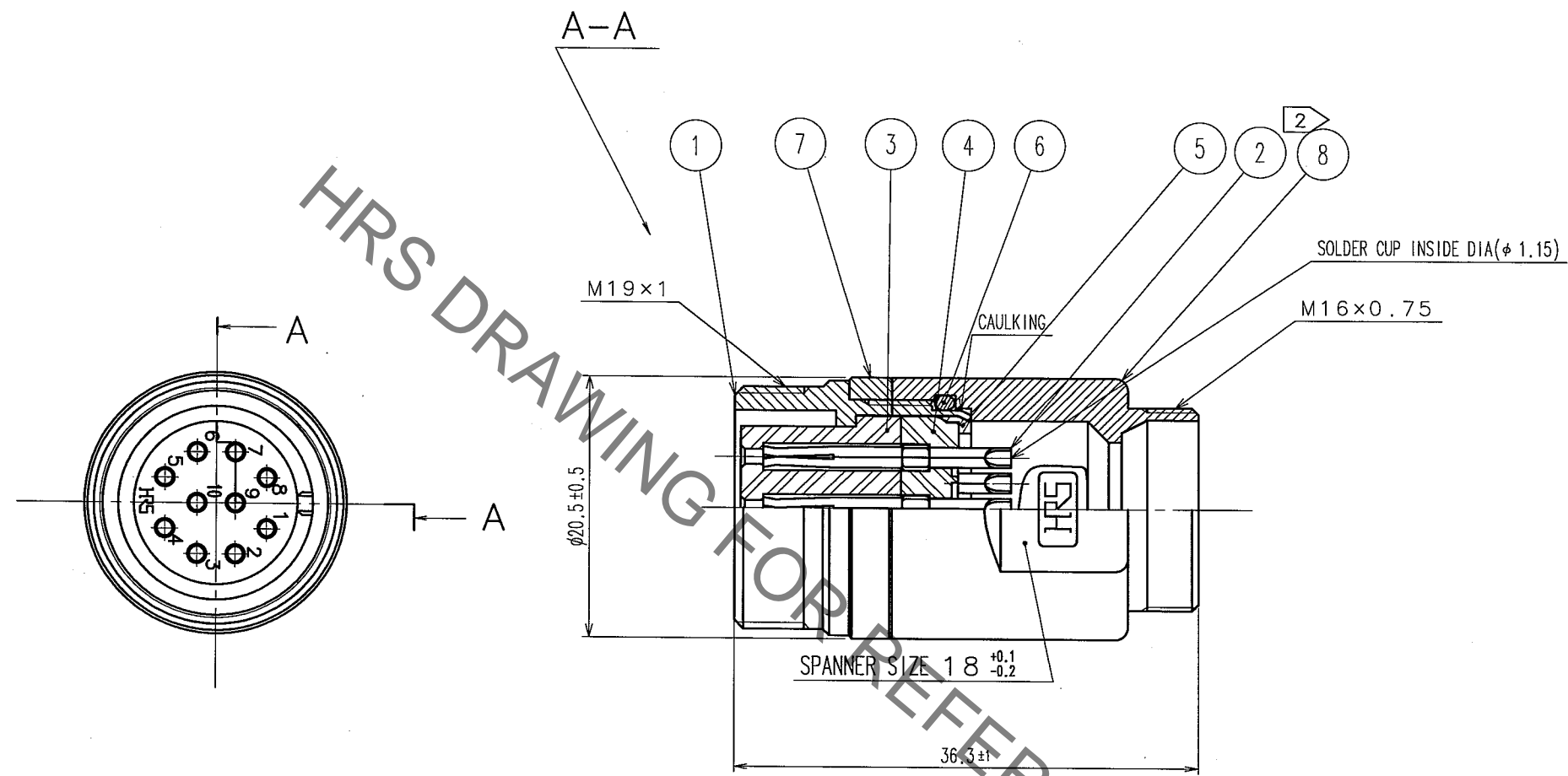


In case of consideration for using Automotive equipment / device which demand high reliability, kindly contact our sales window correspondents.

| COUNT | DESCRIPTION OF REVISIONS | BY | CHKD | DATE | COUNT | DESCRIPTION OF REVISIONS | BY | CHKD | DATE |
|-------|--------------------------|----|------|------|-------|--------------------------|----|------|------|
| △ | | | | .. | △ | | | | .. |
| △ | | | | .. | △ | | | | .. |
| △ | | | | .. | △ | | | | .. |



NOTE 1 PRE-ASSEMBLED ROTATION EXAMPLES OF REF.NO. ① AND ⑧ ARE SHOWN.
 2 THE RECOMMENDED TIGHTEN TORQUE OF REF.NO. ⑧ TO BE 3N·m.
 ADHESIVE LOCTITE 242, HENKEL JAPAN OR EQUIVALENT IS RECOMMENDED TO PREVENT REF.NO. ⑧ FROM LOOSENING.
 3 THIS PRODUCT TO BE USED WITH CABLECLAMP, JR13WCC-(72).
 * DESIGNATE DIAMETER(mm) OF APPLICABLE CABLE.

| 4 | DIALYL PHTHALATE (BLACK) | UL94V-0 | 8 | ZINC ALLOY | CHROMIUM PLATING |
|-----|--------------------------|-------------------------|-----|-------------------------|------------------|
| 3 | DIALYL PHTHALATE (BLACK) | UL94V-0 | 7 | BRASS | CHROMIUM PLATING |
| 2 | COPPER ALLOY | SILVER PLATING 5μm min. | 6 | SILICONE RUBBER (BLACK) | |
| 1 | BRASS | CHROMIUM PLATING | 5 | POLYACETAL (WHITE) | |
| NO. | MATERIAL | FINISH, REMARKS | NO. | MATERIAL | FINISH, REMARKS |

| | | | | | | |
|-------------------------------|--|-------------------------------------|--|--|--|----------|
| CODE NO. (OLD) CL | | DRAWN <i>M. Sato</i> 06.06.07 | DESIGNED <i>Y. Yamada</i> 06.06.07 | CHECKED <i>H. Egawa</i> 06.06.07 | APPROVED <i>M. Sato</i> 06.06.07 | RELEASED |
| DRAWING NO. EDC3-115037-71 | | PART NO. RM15WTJZ-10S(71) | | CODE NO. CL109-1900-2-71 | | 1/1 |
| SCALE 2 : 1 | | UNITS mm | | HRS HIROSE ELECTRIC CO., LTD | | |

X-ON Electronics

Largest Supplier of Electrical and Electronic Components

Click to view similar products for [Standard Circular Connector](#) category:

Click to view products by [Hirose](#) manufacturer:

Other Similar products are found below :

[5M2530B10P](#) [600259N006](#) [600273N007](#) [6134-336-13149](#) [6134-337-11149](#) [6134-337-2390](#) [6134-341-17149](#) [6280-4SG-516](#) [6280-7SG-3DC](#)
[6290](#) [6291A](#) [66200A-10](#) [680-SMG](#) [681-PMG](#) [CXS3102A14S2P](#) [CXS3102A181S](#) [7251-6SG-300](#) [7271-6SG-300](#) [7282-3PG-300-CH3](#) [75-](#)
[474014-05S](#) [75-474618-01S](#) [75-474618-04P](#) [75-474618-04S](#) [799539-000](#) [MI8-SE](#) [805-005-07NF11-19PC](#) [805-005-07NF15-7PA](#) [8280-4PG-](#)
[516](#) [8280-7PG-519](#) [8282-5PG-519](#) [836783-1](#) [MP-4102-25P-C](#) [862256-1](#) [864019-2](#) [866857-1](#) [867865-1](#) [PT01SP-14-18P](#) [PT08P-14-5S](#)
[PTSF06SE-14-12S](#) [120-1833-000](#) [QCM019PC2DC012B](#) [1-2069279-1](#) [121583-0217](#) [121667-0020](#) [129591AU](#) [1000B BULK](#) [RD10A16-19-](#)
[P6CS051/1](#) [RD10A20-31-P8CS051/1](#) [RD16A14-12-S6CS051/2](#) [1301240290](#) [1301240347](#)