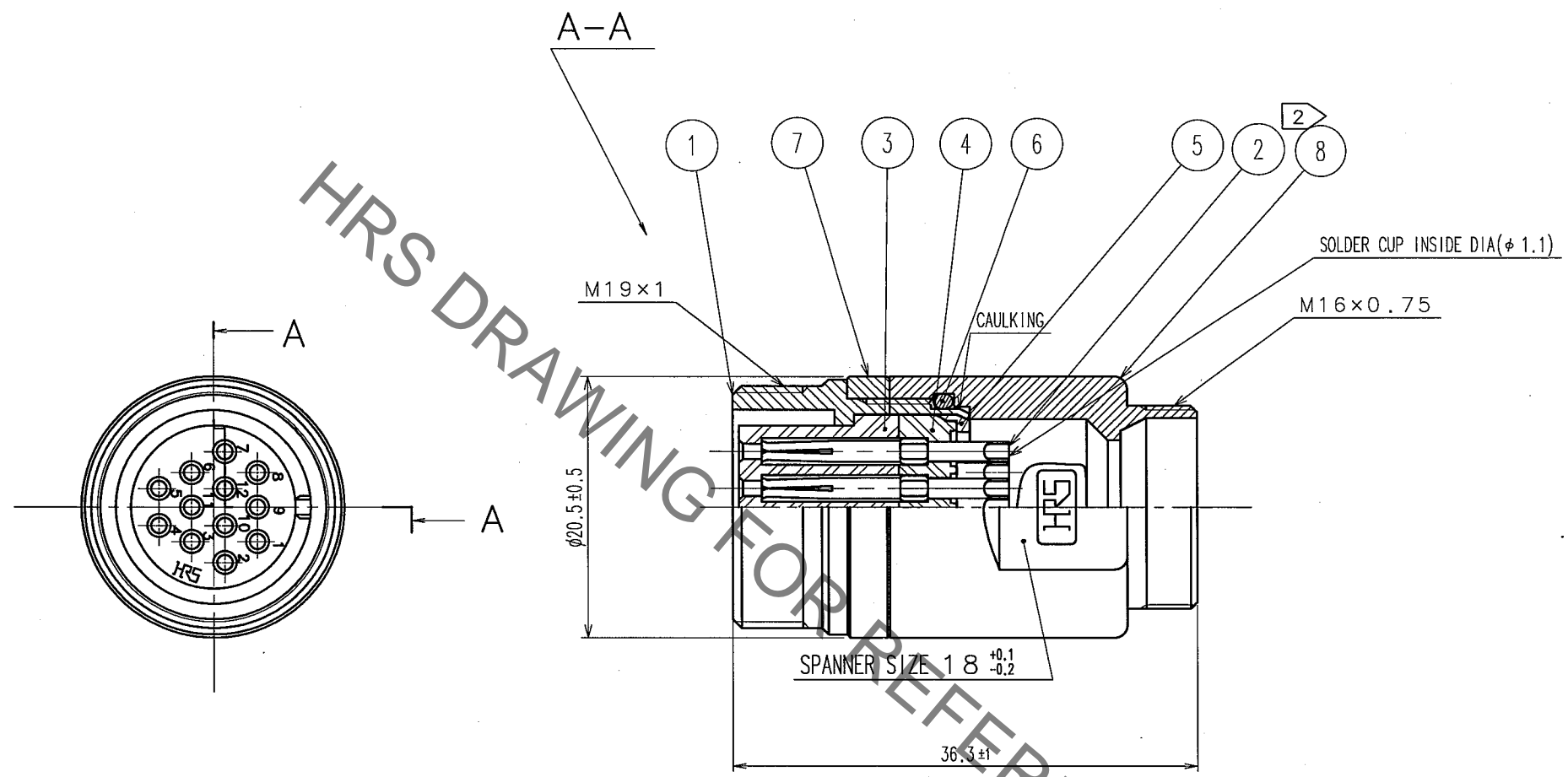


Jun.1.2019 Copyright 2019 HIROSE ELECTRIC CO., LTD. All Rights Reserved.  
 In case of consideration for using Automotive equipment / device which demand high reliability, kindly contact our sales window correspondents.

COUNT	DESCRIPTION OF REVISIONS	BY	CHKD	DATE	COUNT	DESCRIPTION OF REVISIONS	BY	CHKD	DATE
△				..	△				..
△				..	△				..
△				..	△				..



NOTE 1 PRE-ASSEMBLED ROTATION EXAMPLES OF REF.NO. ① AND ⑧ ARE SHOWN.  
 ② THE RECOMMENDED TIGHTEN TORQUE OF REF.NO. ⑧ TO BE 3N · m.  
 ADHESIVE LOCTITE 242, HENKEL JAPAN OR EQUIVALENT IS RECOMMENDED TO PREVENT REF.NO. ⑧ FROM LOOSENING.  
 3 THIS PRODUCT TO BE USED WITH CABLECLAMP, JR13WCC-\*(72).  
 \* DESIGNATE DIAMETER(mm) OF APPLICABLE CABLE.

4	DIALYL PHTHALATE (BLACK)	UL94V-0	8	ZINC ALLOY	CHROMIUM PLATING
3	DIALYL PHTHALATE (BLACK)	UL94V-0	7	BRASS	CHROMIUM PLATING
2	COPPER ALLOY	SILVER PLATING 5μ m min.	6	SILICONE RUBBER (BLACK)	
1	BRASS	CHROMIUM PLATING	5	POLYACETAL (WHITE)	
NO.	MATERIAL	FINISH, REMARKS	NO.	MATERIAL	FINISH, REMARKS

CODE NO. (OLD) CL		DRAWN	DESIGNED	CHECKED	APPROVED	RELEASED
		<i>M. Sato</i>	<i>Y. Yamada</i>	<i>H. Egawa</i>	<i>M. Sato</i>	
		06.06.07	06.06.07	06.06.07	06.06.07	
DRAWING NO. EDC3-115149-71			PART NO. RM15WTJZ-12S(71)			
SCALE 2 : 1			CODE NO. CL109-1903-0-71			
UNITS mm			HRS HIROSE ELECTRIC CO., LTD			

## X-ON Electronics

Largest Supplier of Electrical and Electronic Components

*Click to view similar products for [Standard Circular Connector](#) category:*

*Click to view products by [Hirose](#) manufacturer:*

Other Similar products are found below :

[5M2530B10P](#) [600259N006](#) [600273N007](#) [6134-336-13149](#) [6134-337-11149](#) [6134-337-2390](#) [6134-341-17149](#) [6280-4SG-516](#) [6280-7SG-3DC](#)  
[6290](#) [6291A](#) [66200A-10](#) [680-SMG](#) [681-PMG](#) [CXS3102A14S2P](#) [CXS3102A181S](#) [7251-6SG-300](#) [7271-6SG-300](#) [7282-3PG-300-CH3](#) [75-](#)  
[474014-05S](#) [75-474618-01S](#) [75-474618-04P](#) [75-474618-04S](#) [799539-000](#) [MI8-SE](#) [805-005-07NF11-19PC](#) [805-005-07NF15-7PA](#) [8280-4PG-](#)  
[516](#) [8280-7PG-519](#) [8282-5PG-519](#) [836783-1](#) [MP-4102-25P-C](#) [862256-1](#) [864019-2](#) [866857-1](#) [867865-1](#) [PT01SP-14-18P](#) [PT08P-14-5S](#)  
[PTSF06SE-14-12S](#) [120-1833-000](#) [QCM019PC2DC012B](#) [1-2069279-1](#) [121583-0217](#) [121667-0020](#) [129591AU](#) [1000B BULK](#) [RD10A16-19-](#)  
[P6CS051/1](#) [RD10A20-31-P8CS051/1](#) [RD16A14-12-S6CS051/2](#) [1301240290](#) [1301240347](#)