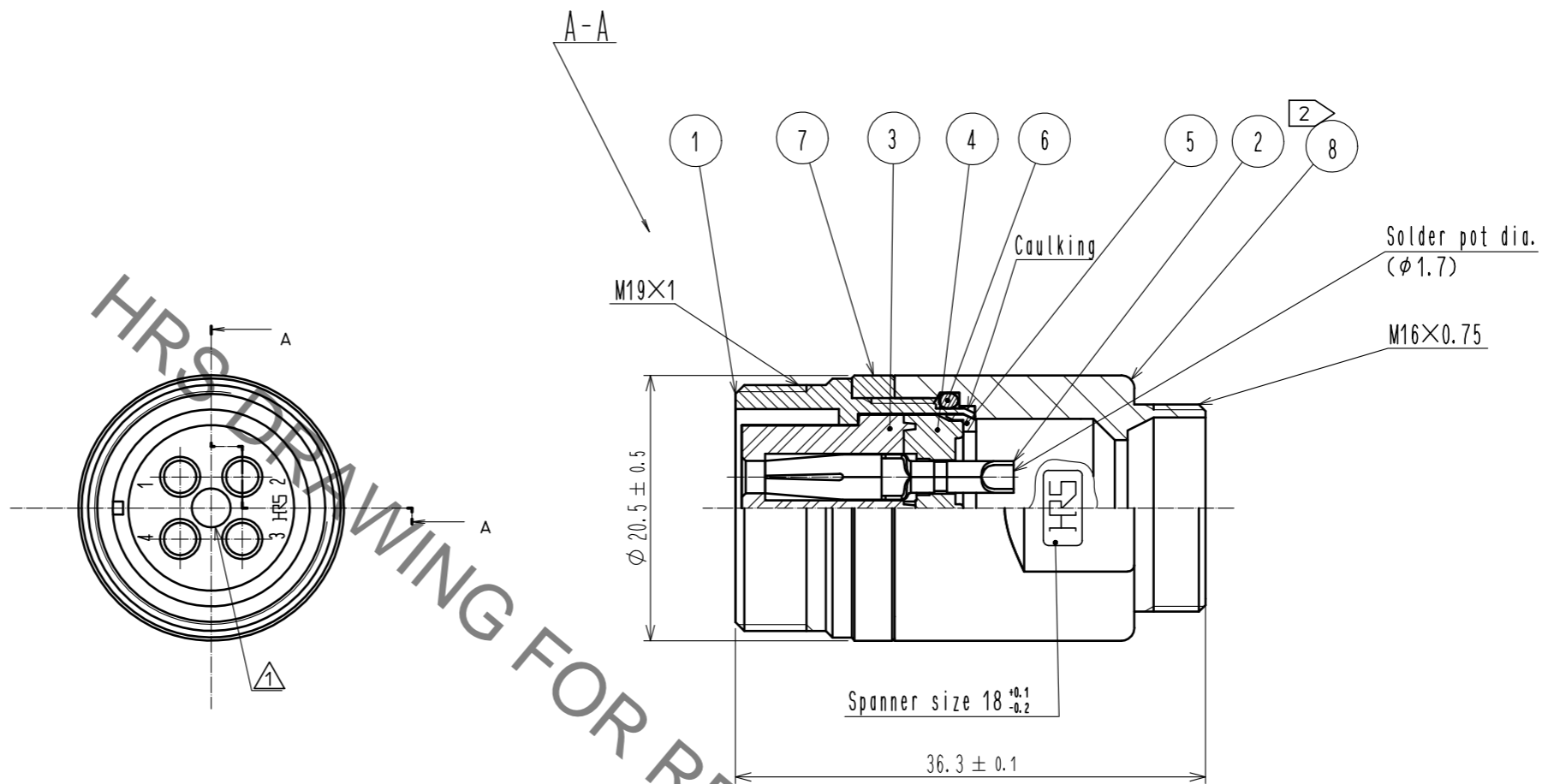


Sep.1.2021 Copyright 2021 HIROSE ELECTRIC CO., LTD. All Rights Reserved.
In case of consideration for using Automotive equipment / device which demand high reliability, kindly contact our sales window correspondents.



- Notes
- 1 Pre-assembled rotation examples of ref. No. ① and ⑧ are shown.
 - 2 The recommended tighten torque of ref. No. ⑧ to be 3 N·m.
Adhesive LOCTITE 243, HENKEL JAPAN or equivalent is recommended to prevent ref. No. ⑧ from loosening.
 - 3 This product to be used with cableclamp, JR13WCC-*(72)
* designate diameter of applicable cable.

| NO. | MATERIAL | FINISH | REMARKS | NO. | MATERIAL | FINISH | REMARKS |
|-----|--------------|----------------|---------|-----|-----------------|----------------|---------|
| 4 | PPS | (BLACK) | UL94V-0 | 8 | ZINC ALLOY | CHROME PLATING | |
| 3 | PPS | (BLACK) | UL94V-0 | 7 | BRASS | CHROME PLATING | |
| 2 | COPPER ALLOY | SILVER PLATING | 2 μm. | 6 | SILICONE RUBBER | (BLACK) | |
| 1 | BRASS | CHROME PLATING | | 5 | POLYACETAL | (WHITE) | |

| UNITS | SCALE | COUNT | DESCRIPTION OF REVISIONS | DESIGNED | CHECKED | DATE |
|--------------------------|-------|-------|--------------------------|------------------------------|---------------|----------|
| mm | 2 : 1 | 1 | DIS-C-00000841 | KN. IKEHARA | HY. KOBAYASHI | 16.03.02 |
| APPROVED : HY. KOBAYASHI | | | 15.10.23 | DRAWING NO. EDC-115148-81-00 | | |
| CHECKED : HY. KOBAYASHI | | | 15.10.23 | PART NO. RM15WTJZ-4S(81) | | |
| DESIGNED : KN. IKEHARA | | | 15.10.23 | CODE NO. CL109-1902-8-81 | | |
| DRAWN : KN. IKEHARA | | | 15.10.23 | | | |

X-ON Electronics

Largest Supplier of Electrical and Electronic Components

Click to view similar products for [Standard Circular Connector](#) category:

Click to view products by [Hirose](#) manufacturer:

Other Similar products are found below :

[5M2530B10P](#) [600259N006](#) [600273N007](#) [6134-336-13149](#) [6134-337-11149](#) [6134-337-2390](#) [6134-341-17149](#) [6280-4SG-516](#) [6280-7SG-3DC](#)
[6290](#) [6291A](#) [66200A-10](#) [680-SMG](#) [681-PMG](#) [CXS3102A14S2P](#) [CXS3102A181S](#) [7251-6SG-300](#) [7271-6SG-300](#) [7282-3PG-300-CH3](#) [75-](#)
[474014-05S](#) [75-474618-01S](#) [75-474618-04P](#) [75-474618-04S](#) [799539-000](#) [MI8-SE](#) [805-005-07NF11-19PC](#) [805-005-07NF15-7PA](#) [8280-4PG-](#)
[516](#) [8280-7PG-519](#) [8282-5PG-519](#) [836783-1](#) [MP-4102-25P-C](#) [862256-1](#) [864019-2](#) [866857-1](#) [867865-1](#) [PT01SP-14-18P](#) [PT08P-14-5S](#)
[PTSF06SE-14-12S](#) [120-1833-000](#) [QCM019PC2DC012B](#) [1-2069279-1](#) [121583-0217](#) [121667-0020](#) [129591AU](#) [1000B BULK](#) [RD10A16-19-](#)
[P6CS051/1](#) [RD10A20-31-P8CS051/1](#) [RD16A14-12-S6CS051/2](#) [1301240290](#) [1301240347](#)