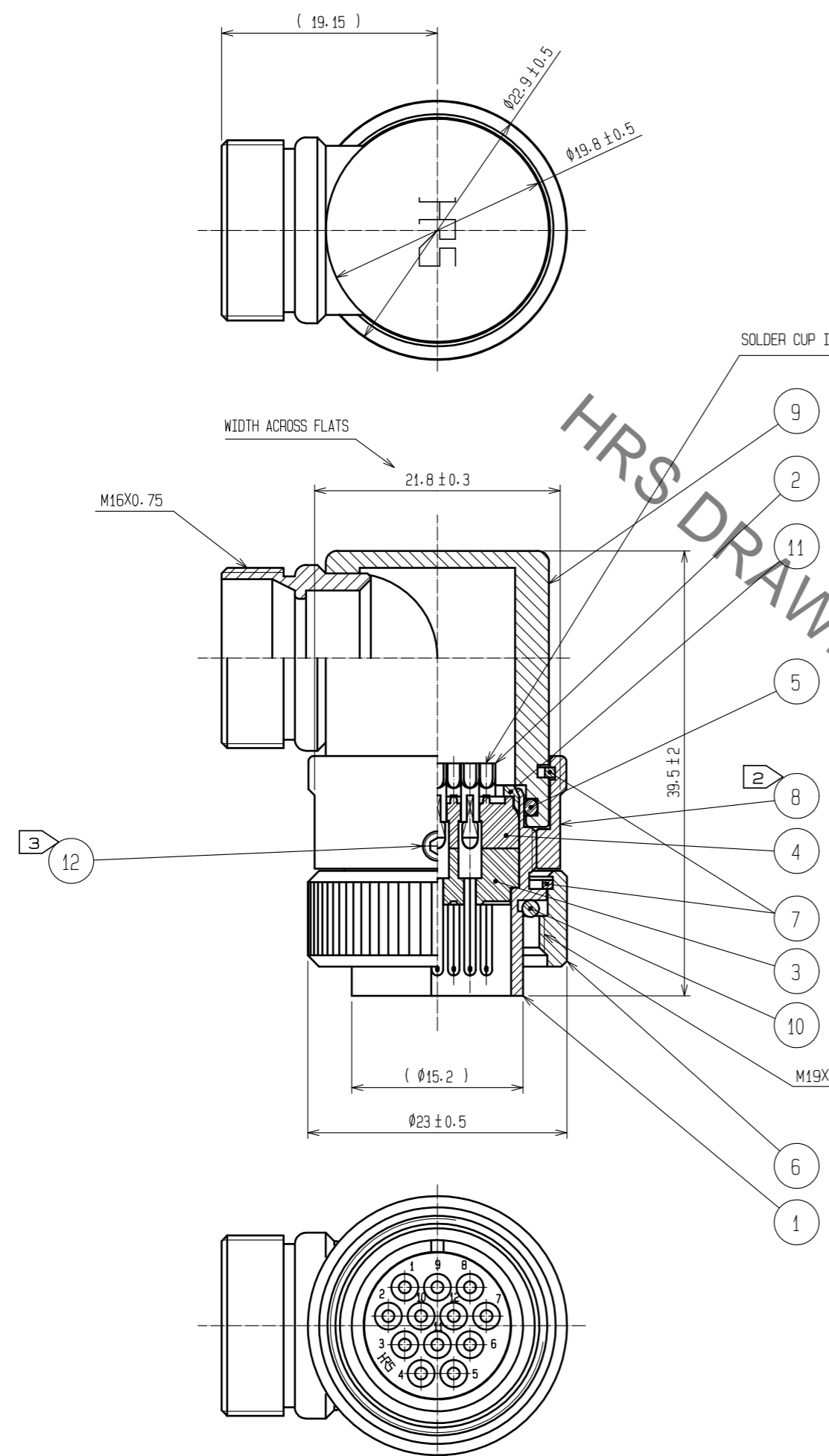


Jun.1.2019 Copyright 2019 HIROSE ELECTRIC CO., LTD. All Rights Reserved.  
In case of consideration for using Automotive equipment / device which demand high reliability, kindly contact our sales window correspondents.



HRS DRAWING FOR REFERENCE

- NOTES
- ① ROTATION EXAMPLES OF REF. NOS. ①, ⑧ AND ⑨ ARE SHOWN.
  - ② THE RECOMMENDED TIGHTEN TORQUE OF REF. NO. ⑧ TO BE 3 TO 4 N·m.  
ADHESIVE LOCTITE 243, OR EQUIVALENT IS RECOMMENDED TO PREVENT REF. NO. ⑧ FROM LOOSENING.
  - ③ THE RECOMMENDED TIGHTEN TORQUE OF REF. NO. ⑫ TO BE 0.2 TO 0.3 N·m.  
ADHESIVE LOCTITE 243, OR EQUIVALENT IS RECOMMENDED TO PREVENT REF. NO. ⑫ FROM LOOSENING.
  - ⚠ ④ THIS PRODUCT TO BE USED WIHT CABLECLAMP, JR13WCC-\*(72).  
\* DESIGNETE DIAMETER(mm) OF APPLICABLE CABLE.

NO.	MATERIAL	FINISH . REMARKS	NO.	MATERIAL	FINISH . REMARKS
6	BRASS	NICKEL PLATING	12	STAINLESS STEEL	
5	ACRYLONITRILE-BUTADIENE RUBBER	(GRAY)	11	POLYACETAL	(WHITE)
4	DIALLYL PHTHALATE	(BLACK) UL94V-0	10	ACRYLONITRILE-BUTADIENE RUBBER	(GRAY)
3	DIALLYL PHTHALATE	(BLACK) UL94V-0	9	BRASS	NICKEL PLATING
2	COPPER ALLOY	SILVER PLATING 2#m min.	8	BRASS	NICKEL PLATING
1	BRASS	NICKEL PLATING	7	PHOSPHOR BRONZE	NICKEL PLATING

UNITS	SCALE	COUNT	DESCRIPTION OF REVISIONS	DESIGNED	CHECKED	DATE
mm	2 : 1	1	DIS-C-00002192	HY. KISHI	HY. KOBAYASHI	18. 04. 10
APPROVED : HY. KOBAYASHI			18. 02. 27	DRAWING NO. EDC-113196-31-00		
CHECKED : HY. KOBAYASHI			18. 02. 27	PART NO. RM15WTLP-12P(31)		
DESIGNED : HY. KISHI			18. 02. 26	CODE NO. CL109-0997-9-31		
DRAWN : HY. KISHI			18. 02. 26			

## X-ON Electronics

Largest Supplier of Electrical and Electronic Components

*Click to view similar products for [Standard Circular Connector](#) category:*

*Click to view products by [Hirose](#) manufacturer:*

Other Similar products are found below :

[5M2530B10P](#) [600259N006](#) [600273N007](#) [6134-336-13149](#) [6134-337-11149](#) [6134-337-2390](#) [6134-341-17149](#) [6280-4SG-516](#) [6280-7SG-3DC](#)  
[6290](#) [6291A](#) [66200A-10](#) [680-SMG](#) [681-PMG](#) [CXS3102A14S2P](#) [CXS3102A181S](#) [7251-6SG-300](#) [7271-6SG-300](#) [7282-3PG-300-CH3](#) [75-](#)  
[474014-05S](#) [75-474618-01S](#) [75-474618-04S](#) [799539-000](#) [MI8-SE](#) [805-005-07NF11-19PC](#) [805-005-07NF15-7PA](#) [8280-4PG-516](#) [8280-7PG-](#)  
[519](#) [8282-5PG-519](#) [836783-1](#) [MP-4102-25P-C](#) [862256-1](#) [864019-2](#) [866857-1](#) [867865-1](#) [PT01SP-14-18P](#) [PT08P-14-5S](#) [PTSF06SE-14-12S](#)  
[120-1833-000](#) [QCM019PC2DC012B](#) [1-2069279-1](#) [121583-0217](#) [121667-0020](#) [129591AU](#) [1000B BULK](#) [RD10A16-19-P6CS051/1](#)  
[RD10A20-31-P8CS051/1](#) [RD16A14-12-S6CS051/2](#) [1301240290](#) [1301240347](#) [1301860202](#)