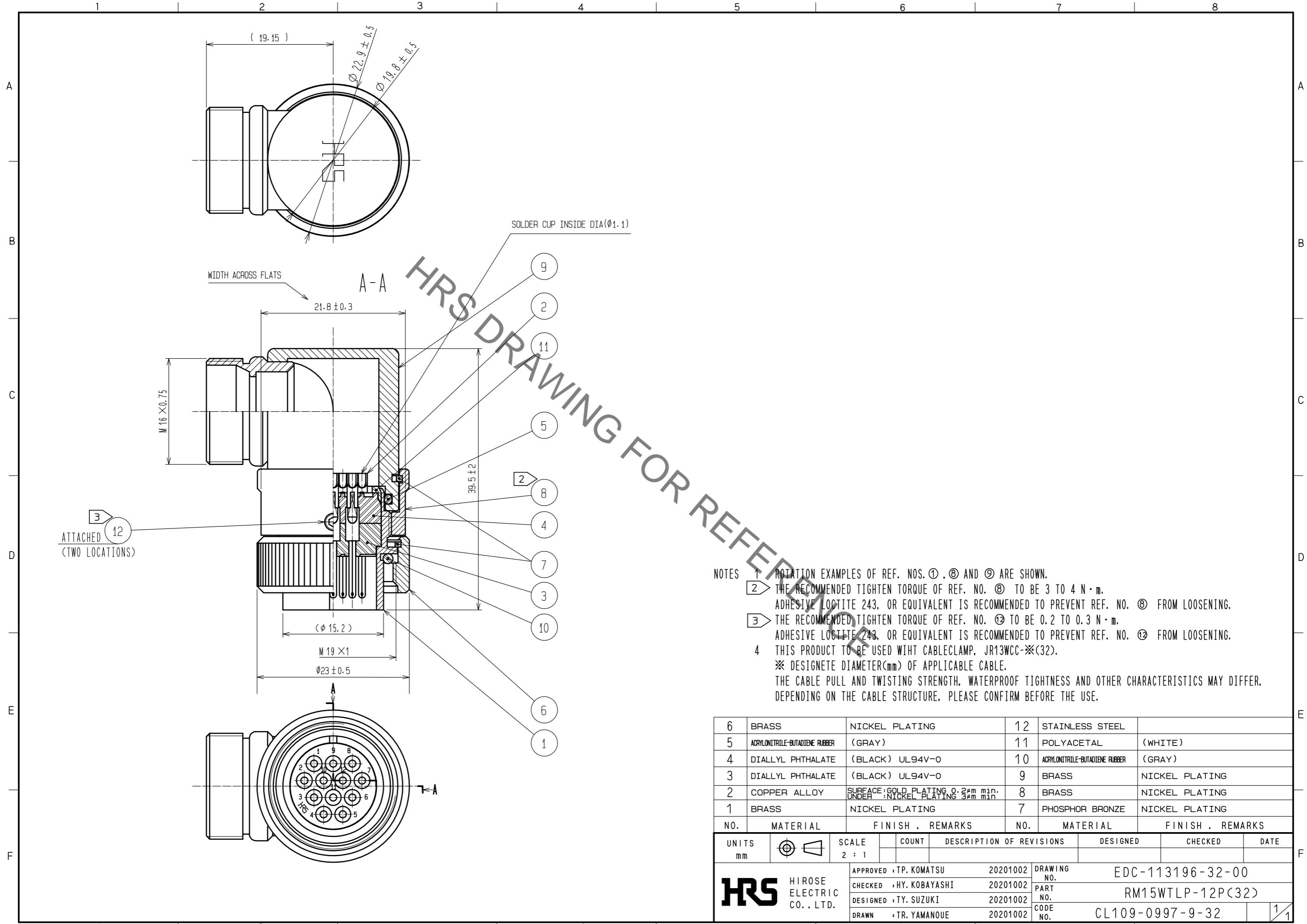


Feb.1.2021 Copyright 2021 HIROSE ELECTRIC CO., LTD. All Rights Reserved.
In case of consideration for using Automotive equipment / device which demand high reliability, kindly contact our sales window correspondents.



NOTES

- 1 ROTATION EXAMPLES OF REF. NOS. ①, ⑧ AND ⑨ ARE SHOWN.
- 2 THE RECOMMENDED TIGHTEN TORQUE OF REF. NO. ③ TO BE 3 TO 4 N · m. ADHESIVE LOCTITE 243, OR EQUIVALENT IS RECOMMENDED TO PREVENT REF. NO. ③ FROM LOOSENING.
- 3 THE RECOMMENDED TIGHTEN TORQUE OF REF. NO. ⑫ TO BE 0.2 TO 0.3 N · m. ADHESIVE LOCTITE 243, OR EQUIVALENT IS RECOMMENDED TO PREVENT REF. NO. ⑫ FROM LOOSENING.
- 4 THIS PRODUCT TO BE USED WIHT CABLECLAMP, JR13WCC-※(32).
※ DESIGNETE DIAMETER(mm) OF APPLICABLE CABLE.
THE CABLE PULL AND TWISTING STRENGTH, WATERPROOF TIGHTNESS AND OTHER CHARACTERISTICS MAY DIFFER, DEPENDING ON THE CABLE STRUCTURE, PLEASE CONFIRM BEFORE THE USE.

6	BRASS	NICKEL PLATING	12	STAINLESS STEEL	
5	ACRYLONITRILE-BUTADIENE RUBBER	(GRAY)	11	POLYACETAL	(WHITE)
4	DIALLYL PHTHALATE	(BLACK) UL94V-0	10	ACRYLONITRILE-BUTADIENE RUBBER	(GRAY)
3	DIALLYL PHTHALATE	(BLACK) UL94V-0	9	BRASS	NICKEL PLATING
2	COPPER ALLOY	SURFACE: GOLD PLATING 0.2μm min. UNDER: NICKEL PLATING 3μm min.	8	BRASS	NICKEL PLATING
1	BRASS	NICKEL PLATING	7	PHOSPHOR BRONZE	NICKEL PLATING
NO.	MATERIAL	FINISH . REMARKS	NO.	MATERIAL	FINISH . REMARKS

UNITS	SCALE	COUNT	DESCRIPTION OF REVISIONS	DESIGNED	CHECKED	DATE
mm	2 : 1					
APPROVED : TP. KOMATSU			20201002	DRAWING NO. EDC-113196-32-00		
CHECKED : HY. KOBAYASHI			20201002	PART NO. RM15WTLP-12P(32)		
DESIGNED : TY. SUZUKI			20201002	CODE NO. CL109-0997-9-32		
DRAWN : TR. YAMANOUE			20201002	1/1		

X-ON Electronics

Largest Supplier of Electrical and Electronic Components

Click to view similar products for [Standard Circular Connector](#) category:

Click to view products by [Hirose](#) manufacturer:

Other Similar products are found below :

[5M2530B10P](#) [600259N006](#) [600273N007](#) [6134-336-13149](#) [6134-337-11149](#) [6134-337-2390](#) [6134-341-17149](#) [6280-4SG-516](#) [6280-7SG-3DC](#)
[6290](#) [6291A](#) [66200A-10](#) [680-SMG](#) [681-PMG](#) [CXS3102A14S2P](#) [CXS3102A181S](#) [7251-6SG-300](#) [7271-6SG-300](#) [7282-3PG-300-CH3](#) [75-](#)
[474014-05S](#) [75-474618-01S](#) [75-474618-04S](#) [799539-000](#) [MI8-SE](#) [805-005-07NF11-19PC](#) [805-005-07NF15-7PA](#) [8280-4PG-516](#) [8280-7PG-](#)
[519](#) [8282-5PG-519](#) [836783-1](#) [MP-4102-25P-C](#) [862256-1](#) [864019-2](#) [866857-1](#) [867865-1](#) [PT01SP-14-18P](#) [PT08P-14-5S](#) [PTSF06SE-14-12S](#)
[120-1833-000](#) [QCM019PC2DC012B](#) [1-2069279-1](#) [121583-0217](#) [121667-0020](#) [129591AU](#) [1000B BULK](#) [RD10A16-19-P6CS051/1](#)
[RD10A20-31-P8CS051/1](#) [RD16A14-12-S6CS051/2](#) [1301240290](#) [1301240347](#) [1301860202](#)