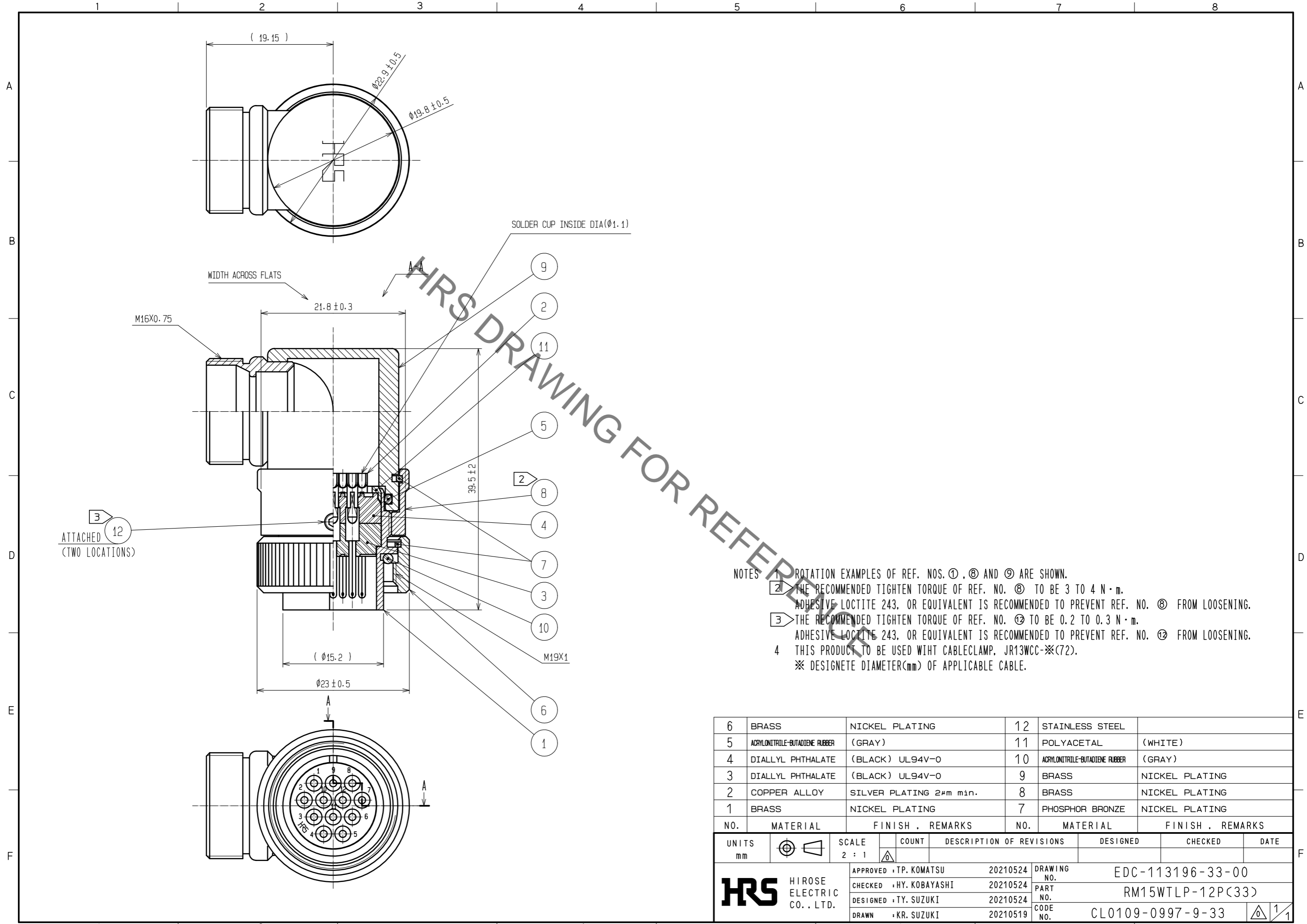


Apr.1.2022 Copyright 2022 HIROSE ELECTRIC CO., LTD. All Rights Reserved.
 In case of consideration for using Automotive equipment / device which demand high reliability, kindly contact our sales window correspondents.



- NOTES
- 1 ROTATION EXAMPLES OF REF. NOS. ①, ⑧ AND ⑨ ARE SHOWN.
 - 2 THE RECOMMENDED TIGHTEN TORQUE OF REF. NO. ⑧ TO BE 3 TO 4 N·m. ADHESIVE LOCTITE 243, OR EQUIVALENT IS RECOMMENDED TO PREVENT REF. NO. ⑧ FROM LOOSENING.
 - 3 THE RECOMMENDED TIGHTEN TORQUE OF REF. NO. ⑫ TO BE 0.2 TO 0.3 N·m. ADHESIVE LOCTITE 243, OR EQUIVALENT IS RECOMMENDED TO PREVENT REF. NO. ⑫ FROM LOOSENING.
 - 4 THIS PRODUCT TO BE USED WITH CABLECLAMP, JR13WCC-*(72).
 ※ DESIGNATE DIAMETER(mm) OF APPLICABLE CABLE.

NO.	MATERIAL	FINISH . REMARKS	NO.	MATERIAL	FINISH . REMARKS
6	BRASS	NICKEL PLATING	12	STAINLESS STEEL	
5	ACRYLONITRILE-BUTADIENE RUBBER	(GRAY)	11	POLYACETAL	(WHITE)
4	DIALLYL PHTHALATE	(BLACK) UL94V-0	10	ACRYLONITRILE-BUTADIENE RUBBER	(GRAY)
3	DIALLYL PHTHALATE	(BLACK) UL94V-0	9	BRASS	NICKEL PLATING
2	COPPER ALLOY	SILVER PLATING 2μm min.	8	BRASS	NICKEL PLATING
1	BRASS	NICKEL PLATING	7	PHOSPHOR BRONZE	NICKEL PLATING

UNITS	SCALE	COUNT	DESCRIPTION OF REVISIONS	DESIGNED	CHECKED	DATE
mm	2 : 1	△				
APPROVED : TP. KOMATSU			20210524	DRAWING NO. EDC-113196-33-00		
CHECKED : HY. KOBAYASHI			20210524	PART NO. RM15WTL P-12P(33)		
DESIGNED : TY. SUZUKI			20210524	CODE NO. CL0109-0997-9-33		
DRAWN : KR. SUZUKI			20210519	1/1		

X-ON Electronics

Largest Supplier of Electrical and Electronic Components

Click to view similar products for [Standard Circular Connector](#) category:

Click to view products by [Hirose](#) manufacturer:

Other Similar products are found below :

[6134-336-13149](#) [6134-337-11149](#) [6134-337-2390](#) [6134-341-17149](#) [6280-4SG-516](#) [6280-7SG-3DC](#) [6282-2SG-315](#) [67-02E12-60PX](#) [680-SMG](#) [CXS3102A181S](#) [D38999/20FC8SA L/C](#) [7251-5SG-300](#) [7282-3PG-300-CH3](#) [75-190216-08S](#) [75-190218-10P](#) [75-474014-05S](#) [75-474218-19S](#) [75-474618-04P](#) [75-474618-04S](#) [80-190222-18P](#) [805-005-07NF11-19PC](#) [805-005-07NF15-7PA](#) [8280-4PG-516](#) [8280-7PG-519](#) [862256-1](#) [866857-1](#) [867865-1](#) [PT08P-14-19S](#) [120-1833-000](#) [QCM019PC2DC012B](#) [121583-0217](#) [121667-0020](#) [RD10A16-19-P6CS051/1](#) [RD16A14-12-S6CS051/2](#) [1301240347](#) [1301790476](#) [1301240268](#) [1301240275](#) [1301860183](#) [1301860906](#) [1302261559](#) [DCU-08BFEA-LL7001](#) [RM15WTP-CP\(5\)\(71\)](#) [14381-10SG-300](#) [14482](#) [16283-18](#) [18280-3SG-315](#) [1877910-1](#) [206039-3](#) [206323-1](#)