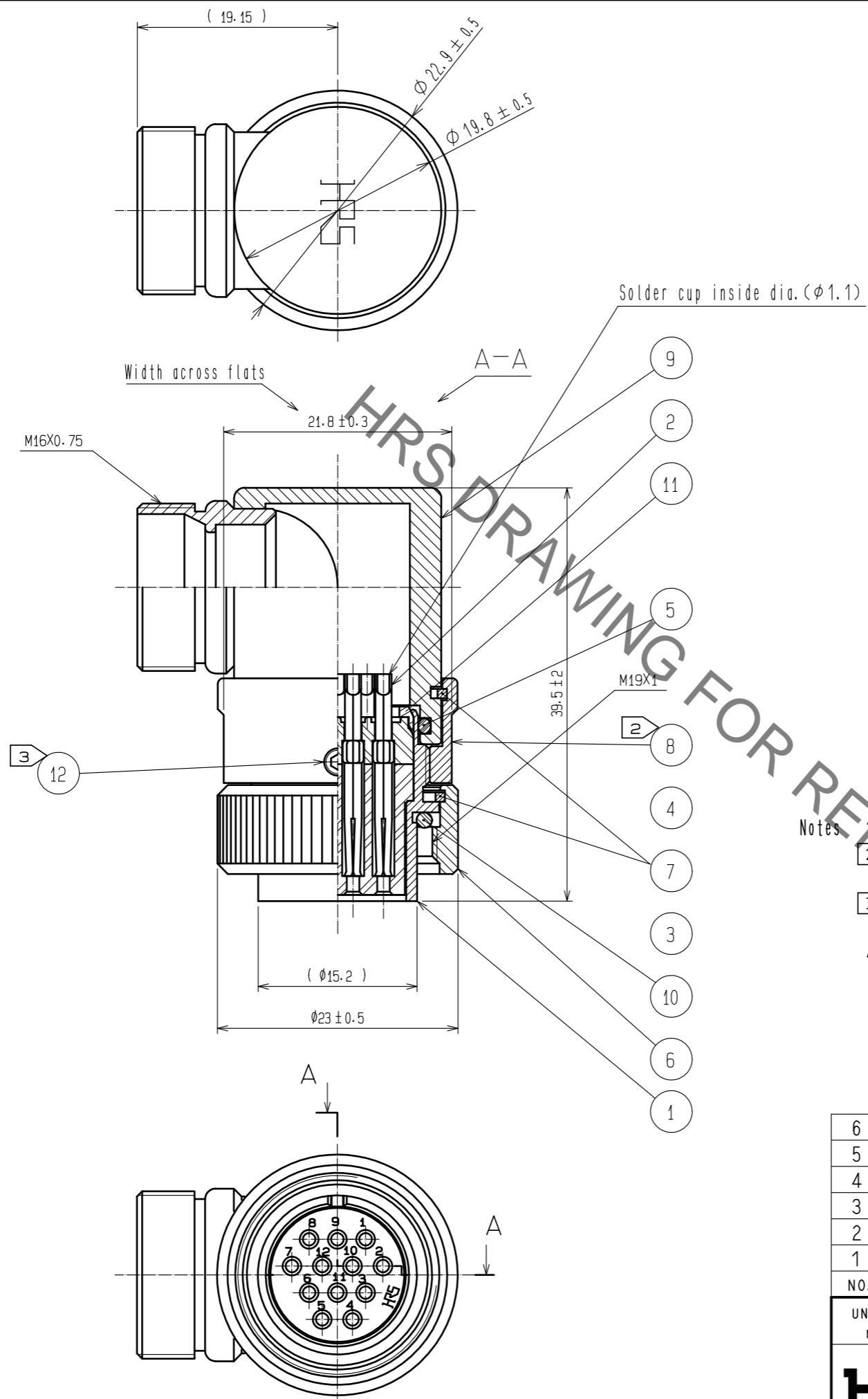


Jun.1.2019 Copyright 2019 HIROSE ELECTRIC CO., LTD. All Rights Reserved.
In case of consideration for using Automotive equipment / device which demand high reliability, kindly contact our sales window correspondents.



Notes

- ① One example of the rotations of REF.NO. ①, ⑧ and ⑨ is shown.
- ② The recommended tightening torque of REF.NO. ⑧ : 3 to 4 N·m.
LOCTITE 243, HENKEL JAPAN or equivalent is recommended to prevent REF.NO. ⑧ from loosening.
- ③ The recommended tightening torque of REF.NO. ⑫ : 0.2 to 0.3 N·m.
LOCTITE 243, HENKEL JAPAN or equivalent is recommended to prevent REF.NO. ⑫ from loosening.
- ④ This product to be used with cableclamp, JR13WCC-*(72).
* designate diameter (mm) of applicable cable.
The cable pull and twisting strength (, waterproof tightness) and other characteristics may differ, depending on the cable structure. please confirm before the use.

6	Brass	Nickel plating	12	Stainless steel	
5	Diallyl phthalate	(Gray)	11	Polyacetal	(White)
4	Diallyl phthalate	(Black) UL94V-0	10	Acrylonitrile butadiene rubber	(Gray)
3	Diallyl phthalate	(Black) UL94V-0	9	Brass	Nickel plating
2	Copper alloy	Silver plating 5μm min.	8	Brass	Nickel plating
1	Brass	Nickel plating	7	Phosphor bronze	Nickel plating
NO.	MATERIAL	FINISH . REMARKS	NO.	MATERIAL	FINISH . REMARKS
UNITS		SCALE	COUNT	DESCRIPTION OF REVISIONS	
mm		2 : 1	△	DESIGNED	CHECKED
HIROSE ELECTRIC CO., LTD.		APPROVED	18.04.09	DRAWING NO. EDC-115834-31-00	
		CHECKED	18.04.09	PART NO. RM15WTLP-12S(31)	
		DESIGNED	18.04.09	CODE NO. CL109-1911-9-31	
		DRAWN	18.04.09	1/1	

X-ON Electronics

Largest Supplier of Electrical and Electronic Components

Click to view similar products for [Standard Circular Connector](#) category:

Click to view products by [Hirose](#) manufacturer:

Other Similar products are found below :

[5M2530B10P](#) [600259N006](#) [600273N007](#) [6134-336-13149](#) [6134-337-11149](#) [6134-337-2390](#) [6134-341-17149](#) [6280-4SG-516](#) [6280-7SG-3DC](#)
[6290](#) [6291A](#) [66200A-10](#) [680-SMG](#) [681-PMG](#) [CXS3102A14S2P](#) [CXS3102A181S](#) [7251-6SG-300](#) [7271-6SG-300](#) [7282-3PG-300-CH3](#) [75-](#)
[474014-05S](#) [75-474618-01S](#) [75-474618-04S](#) [799539-000](#) [MI8-SE](#) [805-005-07NF11-19PC](#) [805-005-07NF15-7PA](#) [8280-4PG-516](#) [8280-7PG-](#)
[519](#) [8282-5PG-519](#) [836783-1](#) [MP-4102-25P-C](#) [862256-1](#) [864019-2](#) [866857-1](#) [867865-1](#) [PT01SP-14-18P](#) [PT08P-14-5S](#) [PTSF06SE-14-12S](#)
[120-1833-000](#) [QCM019PC2DC012B](#) [1-2069279-1](#) [121583-0217](#) [121667-0020](#) [129591AU](#) [1000B BULK](#) [RD10A16-19-P6CS051/1](#)
[RD10A20-31-P8CS051/1](#) [RD16A14-12-S6CS051/2](#) [1301240290](#) [1301240347](#) [1301860202](#)