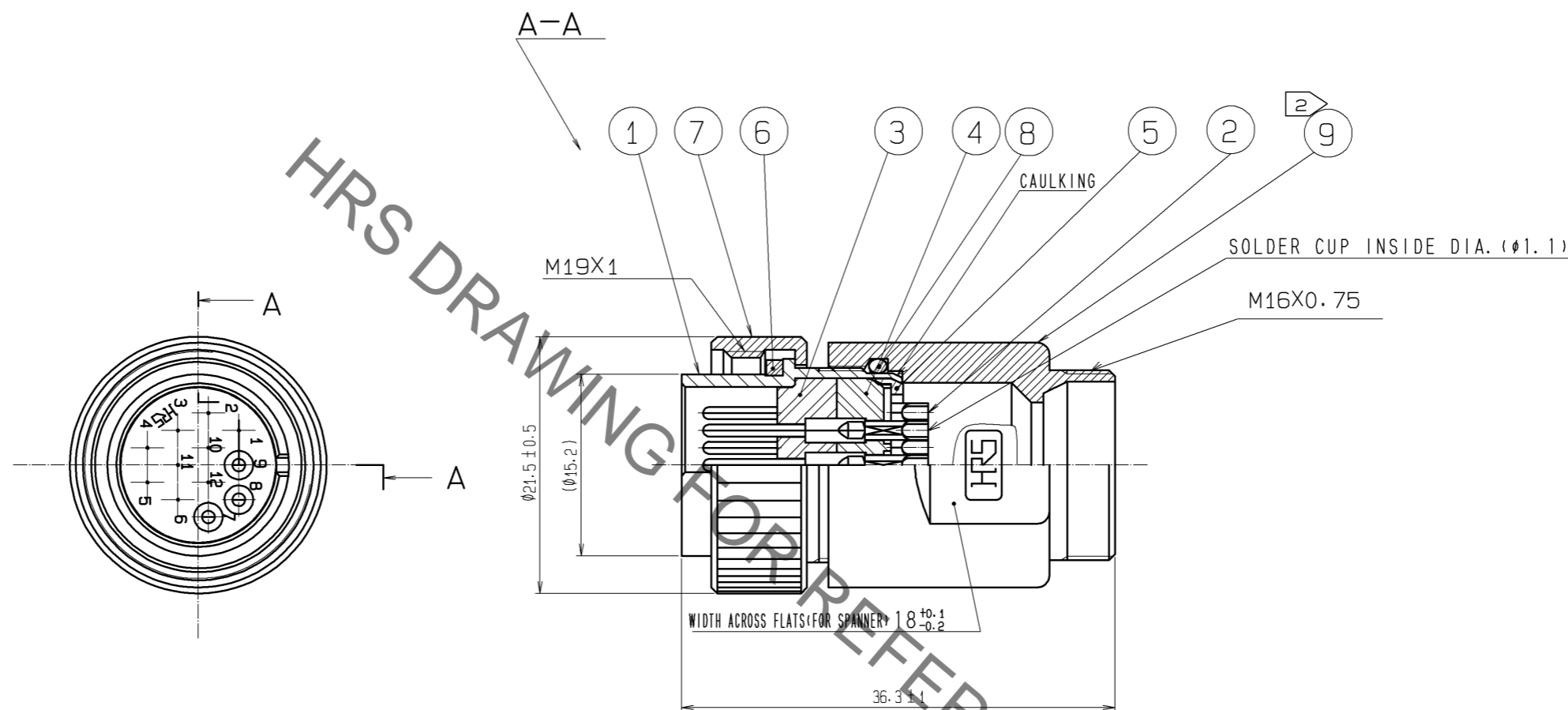


Jun.1.2019 Copyright 2019 HIROSE ELECTRIC CO., LTD. All Rights Reserved.
In case of consideration for using Automotive equipment / device which demand high reliability, kindly contact our sales window correspondents.



- NOTES
- 1 ROTATION EXAMPLES OF REF. NO. ⑩ AND NO. ⑨ ARE SHOWN.
 - 2 THE RECOMMENDED CLAMP TORQUE OF REF. NO. ⑩ TO BE 3N·m.
LOCTITE 243, HENKEL JAPAN OR EQUIVALENT IS RECOMMENDED TO PREVENT REF. NO. ⑩ AND NO. ⑨ FROM LOOSENING.
 - 3 THIS PRODUCT TO BE USED WITH CABLECLAMP, JR13WCC-*(72).
* DESIGNATE DIAMETER OF APPLICABLE CABLE.
 - 4 SURFACE AREA :GOLD PLATING 0.2μm min.
UNDER PLATING:NICKEL PLATING 3μm min.

NO.	MATERIAL	FINISH .	REMARKS	NO.	MATERIAL	FINISH .	REMARKS
5	POLYACETAL	(WHITE)					
4	DIALLYL PHTHALATE	(BLACK)	UL94V-0	9	ZINC ALLOY	CHROME PLATING	
3	DIALLYL PHTHALATE	(BLACK)	UL94V-0	8	SILICONE RUBBER	(BLACK)	
2	COPPER ALLOY	④		7	BRASS	CHROME PLATING	
1	ZINC ALLOY	CHROME PLATING		6	SILICONE RUBBER	(RED)	

UNITS	SCALE	COUNT	DESCRIPTION OF REVISIONS	DESIGNED	CHECKED	DATE
mm	2 : 1	△				
HIROSE ELECTRIC CO., LTD.			APPROVED : EJ. KUNII	14. 08. 04	DRAWING NO. EDC3-111071-72	
			CHECED : EJ. KUNII	14. 08. 04	PART NO. RM15WTPZ-12P(72)	
			DESIGNED : DS. MATSUNE	14. 08. 04	CODE NO. CL109-1620-6-72	
			DRAWN : DS. MATSUNE	14. 08. 04	1/1	

X-ON Electronics

Largest Supplier of Electrical and Electronic Components

Click to view similar products for [Standard Circular Connector](#) category:

Click to view products by [Hirose](#) manufacturer:

Other Similar products are found below :

[5M2530B10P](#) [600259N006](#) [600273N007](#) [6134-336-13149](#) [6134-337-11149](#) [6134-337-2390](#) [6134-341-17149](#) [6280-4SG-516](#) [6280-7SG-3DC](#)
[6290](#) [6291A](#) [66200A-10](#) [680-SMG](#) [681-PMG](#) [CXS3102A14S2P](#) [CXS3102A181S](#) [7251-6SG-300](#) [7271-6SG-300](#) [7282-3PG-300-CH3](#) [75-](#)
[474014-05S](#) [75-474618-01S](#) [75-474618-04P](#) [75-474618-04S](#) [799539-000](#) [MI8-SE](#) [805-005-07NF11-19PC](#) [805-005-07NF15-7PA](#) [8280-4PG-](#)
[516](#) [8280-7PG-519](#) [8282-5PG-519](#) [836783-1](#) [MP-4102-25P-C](#) [862256-1](#) [864019-2](#) [866857-1](#) [867865-1](#) [PT01SP-14-18P](#) [PT08P-14-5S](#)
[PTSF06SE-14-12S](#) [120-1833-000](#) [QCM019PC2DC012B](#) [1-2069279-1](#) [121583-0217](#) [121667-0020](#) [129591AU](#) [1000B BULK](#) [RD10A16-19-](#)
[P6CS051/1](#) [RD10A20-31-P8CS051/1](#) [RD16A14-12-S6CS051/2](#) [1301240290](#) [1301240347](#)