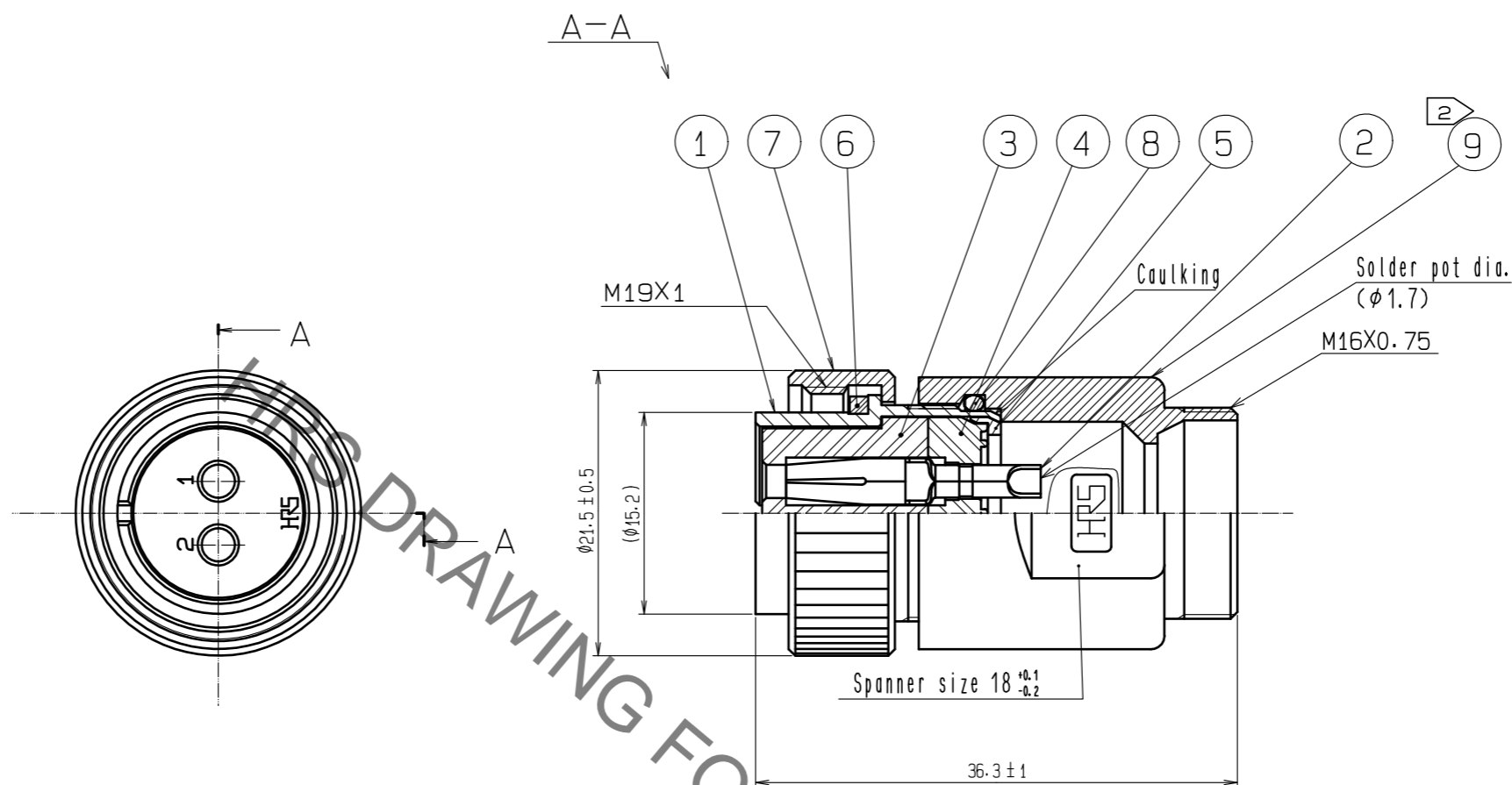


Jun.1.2019 Copyright 2019 HIROSE ELECTRIC CO., LTD. All Rights Reserved.
 In case of consideration for using Automotive equipment / device which demand high reliability, kindly contact our sales window correspondents.



- Notes
- 1 Rotation examples of ref. No. ② to ref. No. ① is shown.
 - ② The recommended clamp torque of ref. No. ② : 3 N·m.
 LOCTITE 243, HENKEL JAPAN or equivalent is recommended to prevent ref. No. ② from loosening.
 - 3 This products to be used with cable clamp JR13WCC-※(72)
 ※ designate diameter of applicable cable.
 - 4 The cable pull and twisting strength, waterproof tightness and other characteristic may differ, depending on the cable structure.
 Please confirm before the use.

NO.	MATERIAL	FINISH	REMARKS	NO.	MATERIAL	FINISH	REMARKS
5	POLYACETAL	(WHITE)					
4	DIALLYL PHTHALATE	(BLACK)	UL94V-0	9	ZINC ALLOY	CHROME PLATING	
3	DIALLYL PHTHALATE	(BLACK)	UL94V-0	8	SIRICONE RUBBER	(BLACK)	
2	COPPER ALLOY	SILVER PLATING 2 μm min.		7	BRASS	CHROME PLATING	
1	ZINC ALLOY	CHROME PLATING		6	SIRICONE RUBBER	(RED)	

UNITS	SCALE	COUNT	DESCRIPTION OF REVISIONS	DESIGNED	CHECKED	DATE
mm	2 : 1	△				
HIROSE ELECTRIC CO., LTD.			APPROVED : HY. KOBAYASHI 16.02.17 CHECKED : HY. KOBAYASHI 16.02.17 DESIGNED : HT. ZENBA 16.02.16 DRAWN : HT. ZENBA 16.02.16	DRAWING NO. EDC-111064-71-00 PART NO. RM15WTPZ-2S(71) CODE NO. CL109-1611-5-71		

X-ON Electronics

Largest Supplier of Electrical and Electronic Components

Click to view similar products for [Standard Circular Connector](#) category:

Click to view products by [Hirose](#) manufacturer:

Other Similar products are found below :

[5M2530B10P](#) [600259N006](#) [600273N007](#) [6134-336-13149](#) [6134-337-11149](#) [6134-337-2390](#) [6134-341-17149](#) [6280-4SG-516](#) [6280-7SG-3DC](#)
[6290](#) [6291A](#) [66200A-10](#) [680-SMG](#) [681-PMG](#) [CXS3102A14S2P](#) [CXS3102A181S](#) [7251-6SG-300](#) [7271-6SG-300](#) [7282-3PG-300-CH3](#) [75-](#)
[474014-05S](#) [75-474618-01S](#) [75-474618-04S](#) [799539-000](#) [MI8-SE](#) [805-005-07NF11-19PC](#) [805-005-07NF15-7PA](#) [8280-4PG-516](#) [8280-7PG-](#)
[519](#) [8282-5PG-519](#) [836783-1](#) [MP-4102-25P-C](#) [862256-1](#) [864019-2](#) [866857-1](#) [867865-1](#) [PT01SP-14-18P](#) [PT08P-14-5S](#) [PTSF06SE-14-12S](#)
[120-1833-000](#) [QCM019PC2DC012B](#) [1-2069279-1](#) [121583-0217](#) [121667-0020](#) [129591AU](#) [1000B BULK](#) [RD10A16-19-P6CS051/1](#)
[RD10A20-31-P8CS051/1](#) [RD16A14-12-S6CS051/2](#) [1301240290](#) [1301240347](#) [1301860202](#)