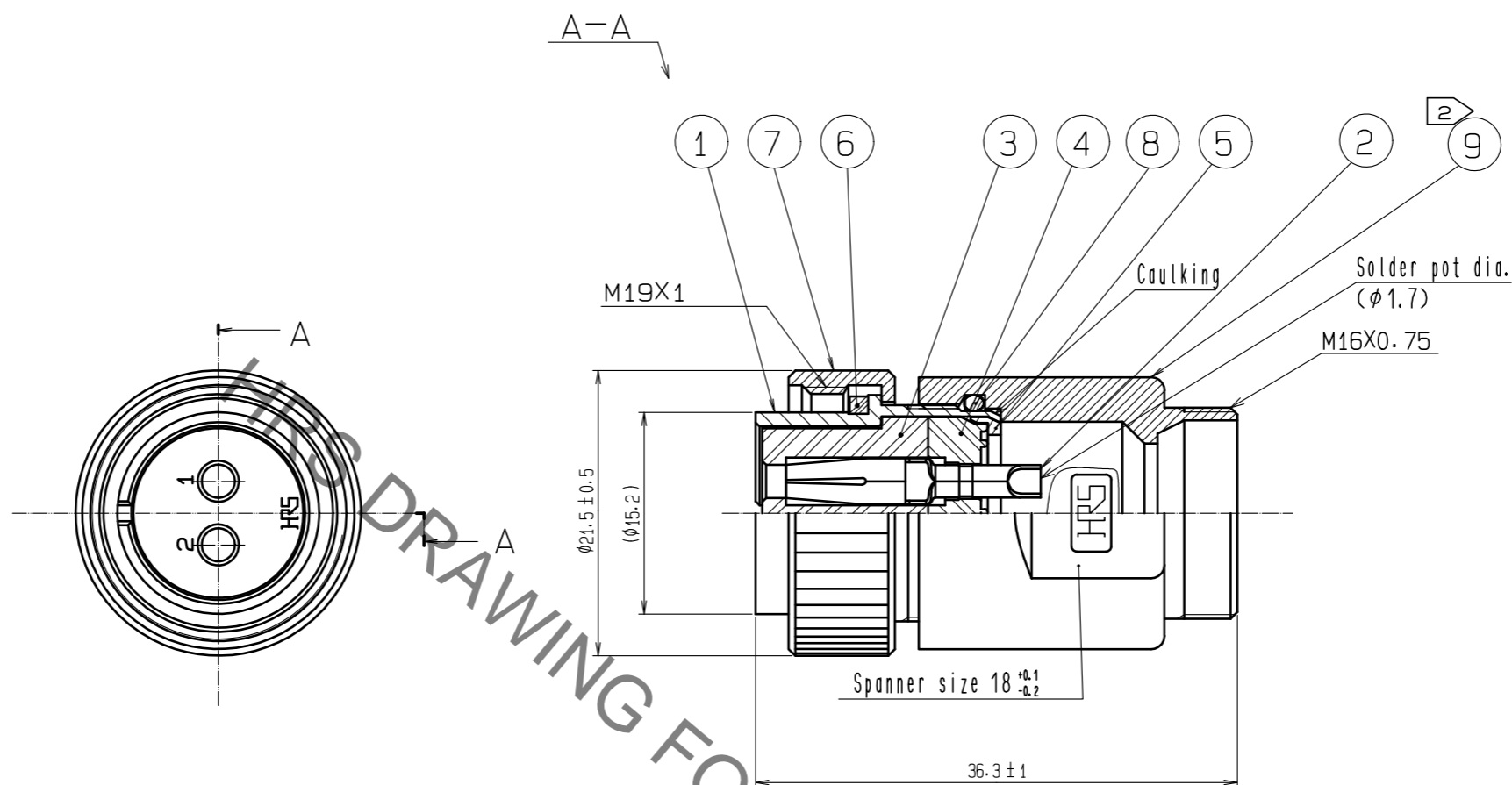


Jun.1.2019 Copyright 2019 HIROSE ELECTRIC CO., LTD. All Rights Reserved.  
 In case of consideration for using Automotive equipment / device which demand high reliability, kindly contact our sales window correspondents.



- Notes
- 1 Rotation examples of ref. No. ② to ref. No. ① is shown.
  - ② The recommended clamp torque of ref. No. ② : 3 N·m.  
 LOCTITE 243, HENKEL JAPAN or equivalent is recommended to prevent ref. No. ② from loosening.
  - 3 This products to be used with cable clamp JR13WCC-※(72)  
 ※ designate diameter of applicable cable.
  - 4 The cable pull and twisting strength, waterproof tightness and other characteristic may differ, depending on the cable structure.  
 Please confirm before the use.

NO.	MATERIAL	FINISH . REMARKS	NO.	MATERIAL	FINISH . REMARKS
5	POLYACETAL	(WHITE)			
4	DIALLYL PHTHALATE	(BLACK) UL94V-0	9	ZINC ALLOY	CHROME PLATING
3	DIALLYL PHTHALATE	(BLACK) UL94V-0	8	SIRICONE RUBBER	(BLACK)
2	COPPER ALLOY	SURFACE : GOLD PLATING 0.2 μm min. UNDER : NICKEL PLATING 3 μm min.	7	BRASS	CHROME PLATING
1	ZINC ALLOY	CHROME PLATING	6	SIRICONE RUBBER	(RED)

UNITS	SCALE	COUNT	DESCRIPTION OF REVISIONS	DESIGNED	CHECKED	DATE
mm	2 : 1	△				
HIROSE ELECTRIC CO., LTD.			APPROVED : HY. KOBAYASHI 16.02.17 CHECKED : HY. KOBAYASHI 16.02.17 DESIGNED : HT. ZENBA 16.02.16 DRAWN : HT. ZENBA 16.02.16	DRAWING NO. EDC-111064-72-00 PART NO. RM15WTPZ-2S(72) CODE NO. CL109-1611-5-72		

## X-ON Electronics

Largest Supplier of Electrical and Electronic Components

*Click to view similar products for [Standard Circular Connector](#) category:*

*Click to view products by [Hirose](#) manufacturer:*

Other Similar products are found below :

[5M2530B10P](#) [600259N006](#) [600273N007](#) [6134-336-13149](#) [6134-337-11149](#) [6134-337-2390](#) [6134-341-17149](#) [6280-4SG-516](#) [6280-7SG-3DC](#)  
[6290](#) [6291A](#) [66200A-10](#) [680-SMG](#) [681-PMG](#) [CXS3102A14S2P](#) [CXS3102A181S](#) [7251-6SG-300](#) [7271-6SG-300](#) [7282-3PG-300-CH3](#) [75-](#)  
[474014-05S](#) [75-474618-01S](#) [75-474618-04S](#) [799539-000](#) [MI8-SE](#) [805-005-07NF11-19PC](#) [805-005-07NF15-7PA](#) [8280-4PG-516](#) [8280-7PG-](#)  
[519](#) [8282-5PG-519](#) [836783-1](#) [MP-4102-25P-C](#) [862256-1](#) [864019-2](#) [866857-1](#) [867865-1](#) [PT01SP-14-18P](#) [PT08P-14-5S](#) [PTSF06SE-14-12S](#)  
[120-1833-000](#) [QCM019PC2DC012B](#) [1-2069279-1](#) [121583-0217](#) [121667-0020](#) [129591AU](#) [1000B BULK](#) [RD10A16-19-P6CS051/1](#)  
[RD10A20-31-P8CS051/1](#) [RD16A14-12-S6CS051/2](#) [1301240290](#) [1301240347](#) [1301860202](#)