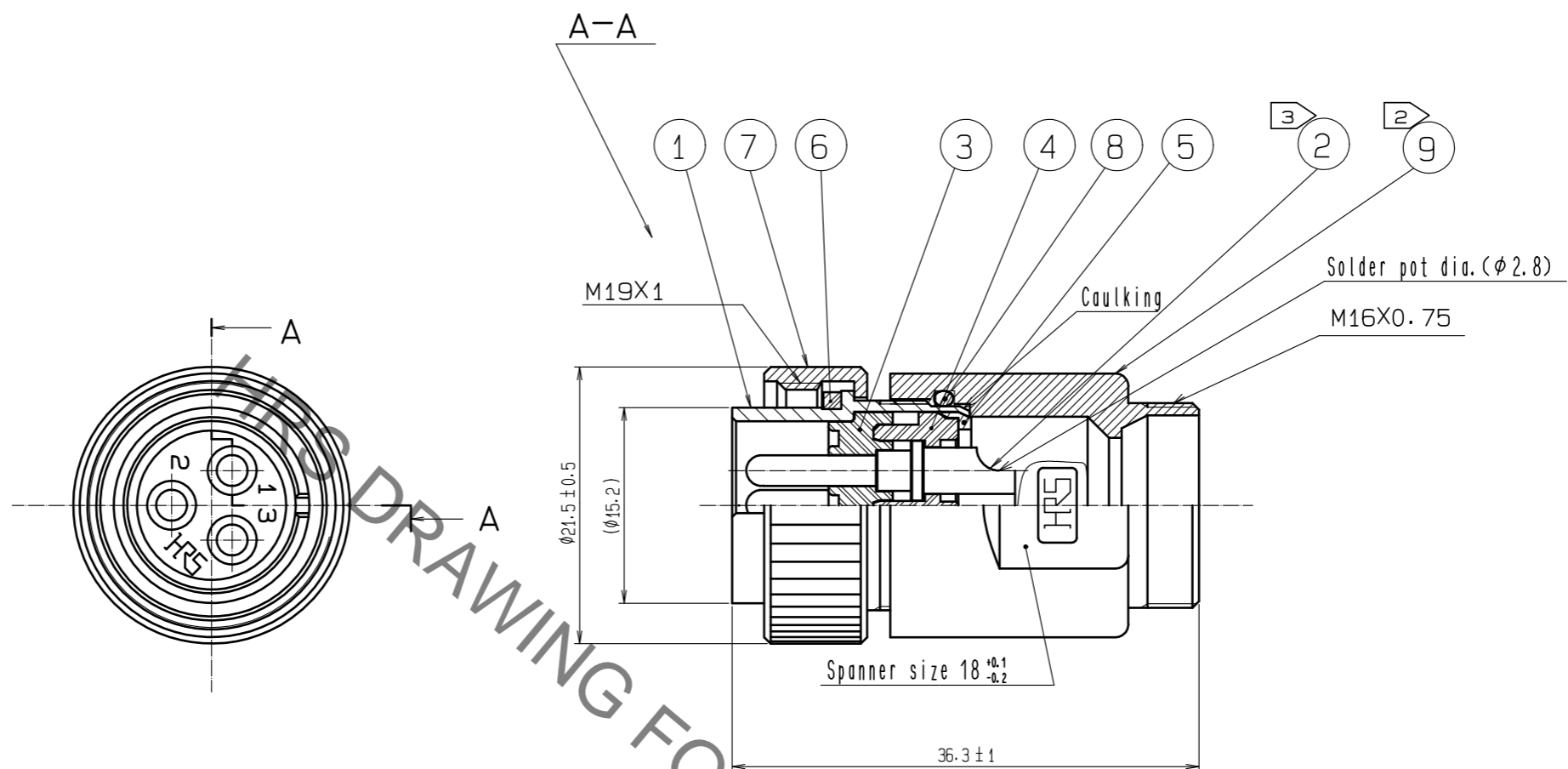


Aug.1.2021 Copyright 2021 HIROSE ELECTRIC CO., LTD. All Rights Reserved.
 In case of consideration for using Automotive equipment / device which demand high reliability, kindly contact our sales window correspondents.



- Notes
- 1 Rotation examples of ref. No. ② to ref. No. ① is shown.
 - ② The recommended clamp torque of ref. No. ② : 3 N·m.
 LOCTITE 243, HENKEL JAPAN or equivalent is recommended to prevent ref. No. ② from loosening.
 - ③ The direction of solder cup ref.No. ② is an example.
 - 4 This products to be used with cable clamp JR13WCC-※(72)
 ※ designate diameter of applicable cable.
 - 5 The cable pull and twisting strength, waterproof tightness and other characteristic may differ,
 depending on the cable structure.
 Please confirm before the use.

NO.	MATERIAL	FINISH .	REMARKS	NO.	MATERIAL	FINISH .	REMARKS
5	POLYACETAL	(WHITE)					
4	DIALLYL PHTHALATE	(BLACK)	UL94V-0	9	ZINC ALLOY	CHROME PLATING	
3	DIALLYL PHTHALATE	(BLACK)	UL94V-0	8	SILICONE RUBBER	(BLACK)	
2	BRASS	SILVER PLATING 3 μm min.		7	BRASS	CHROME PLATING	
1	ZINC ALLOY	CHROME PLATING		6	SILICONE RUBBER	(RED)	

UNITS	SCALE	COUNT	DESCRIPTION OF REVISIONS	DESIGNED	CHECKED	DATE
mm	2 : 1	3	DIS-C-00007456	TY. SUZUKI	HY. KOBAYASHI	20210806
APPROVED : HY. KOBAYASHI 20160223			DRAWING NO. EDC-111150-71-00			
CHECKED : HY. KOBAYASHI 20160223			PART NO. RM15WTPZ-3P(71)			
DESIGNED : HT. ZENBA 20160223			CODE NO. CL0109-1622-1-71			
DRAWN : HT. ZENBA 20160223			1/1			

X-ON Electronics

Largest Supplier of Electrical and Electronic Components

Click to view similar products for [Standard Circular Connector](#) category:

Click to view products by [Hirose](#) manufacturer:

Other Similar products are found below :

[5M2530B10P](#) [600259N006](#) [600273N007](#) [6134-336-13149](#) [6134-337-11149](#) [6134-337-2390](#) [6134-341-17149](#) [6280-4SG-516](#) [6280-7SG-3DC](#)
[6290](#) [6291A](#) [66200A-10](#) [680-SMG](#) [681-PMG](#) [CXS3102A14S2P](#) [CXS3102A181S](#) [7251-6SG-300](#) [7271-6SG-300](#) [7282-3PG-300-CH3](#) [75-](#)
[474014-05S](#) [75-474618-01S](#) [75-474618-04S](#) [799539-000](#) [MI8-SE](#) [805-005-07NF11-19PC](#) [805-005-07NF15-7PA](#) [8280-4PG-516](#) [8280-7PG-](#)
[519](#) [8282-5PG-519](#) [836783-1](#) [MP-4102-25P-C](#) [862256-1](#) [864019-2](#) [866857-1](#) [867865-1](#) [PT01SP-14-18P](#) [PT08P-14-5S](#) [PTSF06SE-14-12S](#)
[120-1833-000](#) [QCM019PC2DC012B](#) [1-2069279-1](#) [121583-0217](#) [121667-0020](#) [129591AU](#) [1000B BULK](#) [RD10A16-19-P6CS051/1](#)
[RD10A20-31-P8CS051/1](#) [RD16A14-12-S6CS051/2](#) [1301240290](#) [1301240347](#) [1301860202](#)