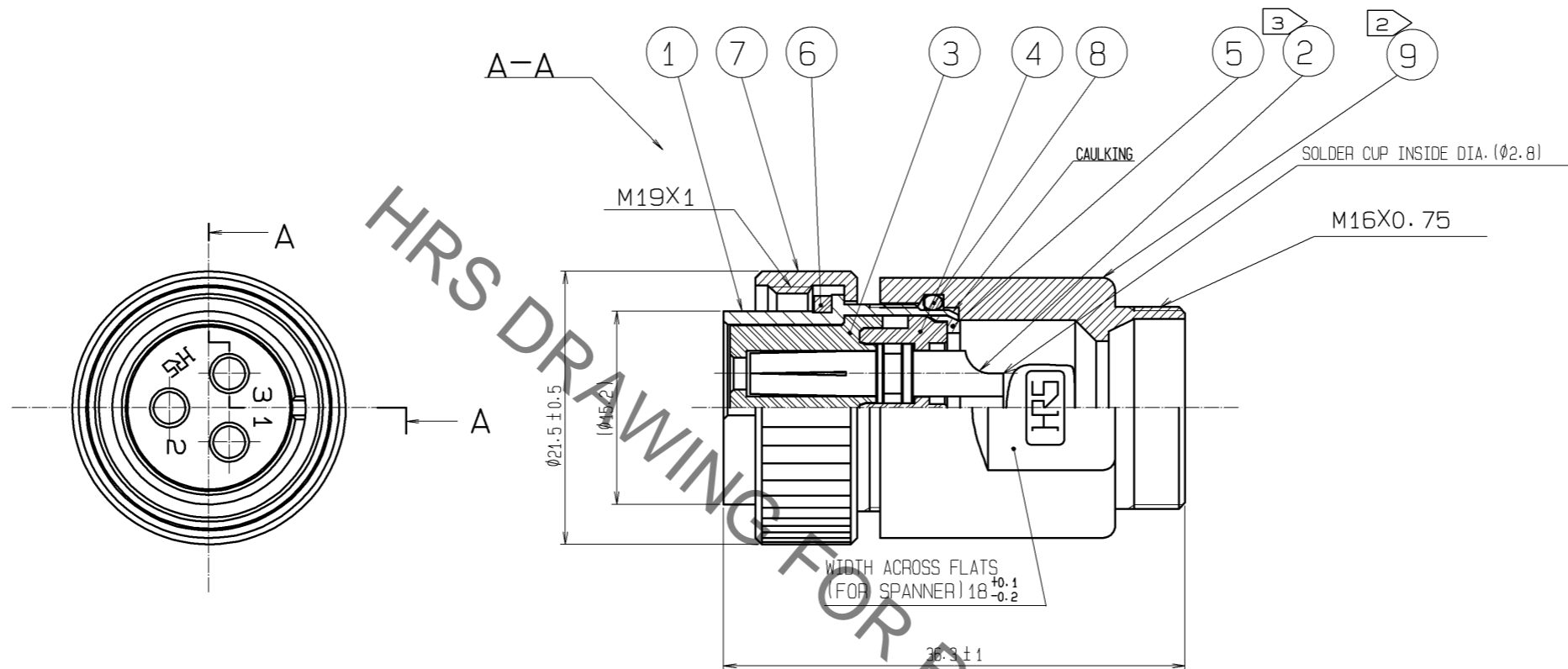


Aug.1.2021 Copyright 2021 HIROSE ELECTRIC CO., LTD. All Rights Reserved.
 In case of consideration for using Automotive equipment / device which demand high reliability, kindly contact our sales window correspondents.



- NOTES
- ① ONE EXAMPLE OF THE ROTATION OF REF. NO. ② TO REF. NO. ① IS SHOWN.
 - ② THE RECOMMENDED CLAMP TORQUE, REF. NO. ②: 3N·m.
 LOCTITE 242, HENKEL JAPAN OR EQUIVALENT IS RECOMMENDED TO PREVENT REF. NO. ② FOR LOOSENING.
 - ③ THE DIRECTION OF SOLDER CUP, REF. NO. ② IS AN EXAMPLE.
 - ④ THIS PRODUCTS TO BE USED WITH CABLE CLAMP, JR13WCC-*(72).
 * DESIGNATE DIAMETER(mm) OF APPLICABLE CABLE.

NO.	MATERIAL	FINISH . REMARKS	NO.	MATERIAL	FINISH . REMARKS
5	POLYACETAL	(WHITE)			
4	DIALLYL PHTHALATE	(BLACK) UL94V-0	9	ZINC ALLOY	CROMATE PLATING
3	DIALLYL PHTHALATE	(BLACK) UL94V-0	8	SILICONE RUBBER	(BLACK)
2	PHOSPHOR BRONZE	SILVER PLATING 3μm min.	7	BRASS	CROMATE PLATING
1	ZINC ALLOY	CROMATE PLATING	6	SILICONE RUBBER	(RED)

UNITS	SCALE	COUNT	DESCRIPTION OF REVISIONS	DESIGNED	CHECKED	DATE
mm	2 : 1	△				
HIROSE ELECTRIC CO., LTD.			APPROVED : MO. SATOH 07.12.27 CHECKED : YH. YAMADA 07.12.27 DESIGNED : DS. MATSUNE 07.12.27 DRAWN : HN. TANAKA 07.12.14	DRAWING NO. EDC3-111149-71 PART NO. RM15WTPZ-3S(71) CODE NO. CL109-1621-9-71	1/1	

X-ON Electronics

Largest Supplier of Electrical and Electronic Components

Click to view similar products for [Standard Circular Connector](#) category:

Click to view products by [Hirose](#) manufacturer:

Other Similar products are found below :

[5M2530B10P](#) [600259N006](#) [600273N007](#) [6134-336-13149](#) [6134-337-11149](#) [6134-337-2390](#) [6134-341-17149](#) [6280-4SG-516](#) [6280-7SG-3DC](#)
[6290](#) [6291A](#) [66200A-10](#) [680-SMG](#) [681-PMG](#) [CXS3102A14S2P](#) [CXS3102A181S](#) [7251-6SG-300](#) [7271-6SG-300](#) [7282-3PG-300-CH3](#) [75-](#)
[474014-05S](#) [75-474618-01S](#) [75-474618-04P](#) [75-474618-04S](#) [799539-000](#) [MI8-SE](#) [805-005-07NF11-19PC](#) [805-005-07NF15-7PA](#) [8280-4PG-](#)
[516](#) [8280-7PG-519](#) [8282-5PG-519](#) [836783-1](#) [MP-4102-25P-C](#) [862256-1](#) [864019-2](#) [866857-1](#) [867865-1](#) [PT01SP-14-18P](#) [PT08P-14-5S](#)
[PTSF06SE-14-12S](#) [120-1833-000](#) [QCM019PC2DC012B](#) [1-2069279-1](#) [121583-0217](#) [121667-0020](#) [129591AU](#) [1000B BULK](#) [RD10A16-19-](#)
[P6CS051/1](#) [RD10A20-31-P8CS051/1](#) [RD16A14-12-S6CS051/2](#) [1301240290](#) [1301240347](#)