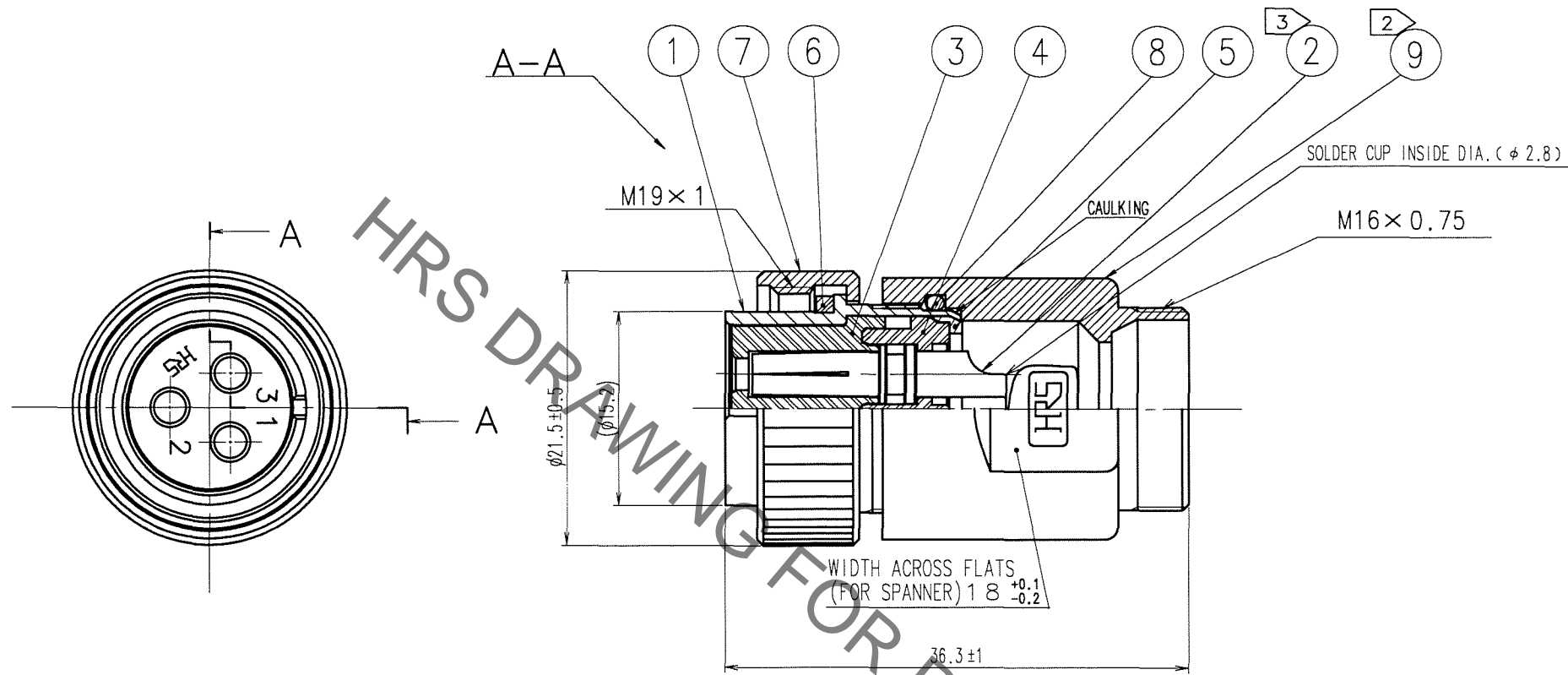


Aug.1.2021 Copyright 2021 HIROSE ELECTRIC CO., LTD. All Rights Reserved.
In case of consideration for using Automotive equipment / device which demand high reliability, kindly contact our sales window correspondents.

COUNT	DESCRIPTION OF REVISIONS	BY	CHKD	DATE	COUNT	DESCRIPTION OF REVISIONS	BY	CHKD	DATE
△				..	△				..
△				..	△				..
△				..	△				..



HRS DRAWING FOR REFERENCE

- NOTES
- 1 ONE EXAMPLE OF THE ROTATION OF REF.NO. ⑨ TO REF.NO. ① IS SHOWN.
 - 2 THE RECOMMENDED CLAMP TORQUE, REF.NO. ⑨ : 3N · m.
LOCTITE 242, HENKEL JAPAN OR EQUIVALENT IS RECOMMENDED TO PREVENT REF.NO. ⑨ FOR LOOSENING.
 - 3 THE DIRECTION OF SOLDER CUP, REF.NO. ③ IS AN EXAMPLE.
 - 4 THIS PRODUCTS TO BE USED WITH CABLE CLAMP, JR13WCC-*(72).
* DESIGNATE DIAMETER(mm) OF APPLICABLE CABLE.

5	POLYACETAL	(WHITE)			
4	DIALLYL PHTHALATE	(BLACK) UL94V-0	9	ZINC ALLOY	CROMATE PLATING
3	DIALLYL PHTHALATE	(BLACK) UL94V-0	8	SILICONE RUBBER	(BLACK)
2	PHOSPHOR BRONZE	OVER PLATING: GOLD 0.2μ m min. UNDER PLATING: NICKEL 3μ m min.	7	BRASS	CROMATE PLATING
1	ZINC ALLOY	CROMATE PLATING	6	SILICONE RUBBER	(RED)
NO.	MATERIAL	FINISH, REMARKS	NO.	MATERIAL	FINISH, REMARKS

CODE NO. (OLD) CL	DRAWN <i>M. Sato</i> 07.03.20	DESIGNED <i>J. Komatsu</i> 07.03.20	CHECKED <i>M. Sato</i> 07.03.20	APPROVED <i>M. Sato</i> 07.03.20	RELEASED ..
----------------------	-------------------------------------	---	---------------------------------------	--	----------------

SCALE 2 : 1	DRAWING NO. EDC3-111149-72	PART NO. RM15WTPZ-3S(72)
UNITS mm	HRS HIROSE ELECTRIC CO., LTD	CODE NO. CL109-1621-9-72

TO
R

X-ON Electronics

Largest Supplier of Electrical and Electronic Components

Click to view similar products for [Standard Circular Connector](#) category:

Click to view products by [Hirose](#) manufacturer:

Other Similar products are found below :

[5M2530B10P](#) [600259N006](#) [600273N007](#) [6134-336-13149](#) [6134-337-11149](#) [6134-337-2390](#) [6134-341-17149](#) [6280-4SG-516](#) [6280-7SG-3DC](#)
[6290](#) [6291A](#) [66200A-10](#) [680-SMG](#) [681-PMG](#) [CXS3102A14S2P](#) [CXS3102A181S](#) [7251-6SG-300](#) [7271-6SG-300](#) [7282-3PG-300-CH3](#) [75-](#)
[474014-05S](#) [75-474618-01S](#) [75-474618-04S](#) [799539-000](#) [MI8-SE](#) [805-005-07NF11-19PC](#) [805-005-07NF15-7PA](#) [8280-4PG-516](#) [8280-7PG-](#)
[519](#) [8282-5PG-519](#) [836783-1](#) [MP-4102-25P-C](#) [862256-1](#) [864019-2](#) [866857-1](#) [867865-1](#) [PT01SP-14-18P](#) [PT08P-14-5S](#) [PTSF06SE-14-12S](#)
[120-1833-000](#) [QCM019PC2DC012B](#) [1-2069279-1](#) [121583-0217](#) [121667-0020](#) [129591AU](#) [1000B BULK](#) [RD10A16-19-P6CS051/1](#)
[RD10A20-31-P8CS051/1](#) [RD16A14-12-S6CS051/2](#) [1301240290](#) [1301240347](#) [1301860202](#)