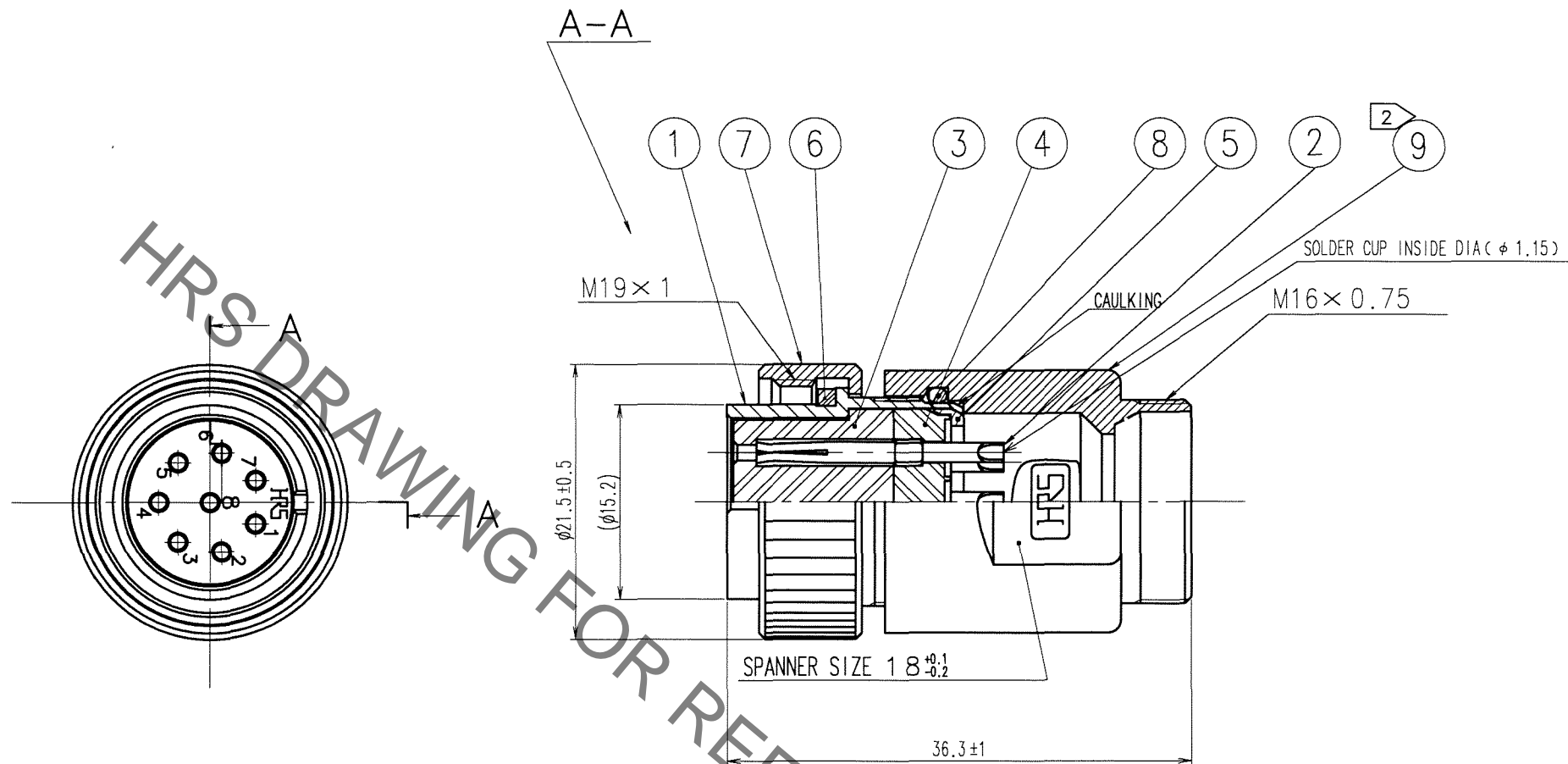


Jun.1.2019 Copyright 2019 HIROSE ELECTRIC CO., LTD. All Rights Reserved.
In case of consideration for using Automotive equipment / device which demand high reliability, kindly contact our sales window correspondents.

COUNT	DESCRIPTION OF REVISIONS	BY	CHKD	DATE	COUNT	DESCRIPTION OF REVISIONS	BY	CHKD	DATE
△				..	△				..
△				..	△				..
△				..	△				..



- NOTES 1 PRE-ASSEMBLED ROTATION EXAMPLES OF REF.NO. ① AND NO. ⑨ ARE SHOWN.
 ② THE RECOMMENDED TIGHTEN TORQUE OF REF.NO. ⑨ TO BE 3 N · m.
 ADHESIVE LOCTITE 242, HENKEL JAPAN OR EQUIVALENT IS RECOMMENDED TO PREVENT REF.NO. ⑨ FROM LOOSENING.
 3 THIS PRODUCT TO BE USED WITH CABLECLAMP, JR13WCC-*(72).
 * DESIGNATE DIAMETER(mm) OF APPLICABLE CABLE.

5	POLYACETAL	(WHITE)				
4	DIALLYL PHTHALATE	(BLACK)	UL 94V-0	9	ZINC ALLOY	CHROME PLATING
3	DIALLYL PHTHALATE	(BLACK)	UL 94V-0	8	SILICONE RUBBER	(BLACK)
2	COPPER ALLOY	SILVER PLATING	5 μm min.	7	BRASS	CHROME PLATING
1	ZINC ALLOY	CHROME PLATING		6	SILICONE RUBBER	(RED)
NO.	MATERIAL	FINISH, REMARKS	NO.	MATERIAL	FINISH, REMARKS	

CODE NO. (OLD) CL	DRAWN E. Yumino 06.05.13	DESIGNED Y. Yamashita 06.05.13	CHECKED H. Egawa 06.05.15	APPROVED M. Sato 06.05.16	RELEASED ..
SCALE 2 : 1	DRAWING NO. EDC3-111065-71		PART NO. RM15WTPZ-8S(71)		
UNITS mm	HRS HIROSE ELECTRIC CO., LTD		CODE NO. CL109-1613-0-71		1/1

TO
R

X-ON Electronics

Largest Supplier of Electrical and Electronic Components

Click to view similar products for [Standard Circular Connector](#) category:

Click to view products by [Hirose](#) manufacturer:

Other Similar products are found below :

[5M2530B10P](#) [600259N006](#) [600273N007](#) [6134-336-13149](#) [6134-337-11149](#) [6134-337-2390](#) [6134-341-17149](#) [6280-4SG-516](#) [6280-7SG-3DC](#)
[6290](#) [6291A](#) [66200A-10](#) [680-SMG](#) [681-PMG](#) [CXS3102A14S2P](#) [CXS3102A181S](#) [7251-6SG-300](#) [7271-6SG-300](#) [7282-3PG-300-CH3](#) [75-](#)
[474014-05S](#) [75-474618-01S](#) [75-474618-04S](#) [799539-000](#) [MI8-SE](#) [805-005-07NF11-19PC](#) [805-005-07NF15-7PA](#) [8280-4PG-516](#) [8280-7PG-](#)
[519](#) [8282-5PG-519](#) [836783-1](#) [MP-4102-25P-C](#) [862256-1](#) [864019-2](#) [866857-1](#) [867865-1](#) [PT01SP-14-18P](#) [PT08P-14-5S](#) [PTSF06SE-14-12S](#)
[120-1833-000](#) [QCM019PC2DC012B](#) [1-2069279-1](#) [121583-0217](#) [121667-0020](#) [129591AU](#) [1000B BULK](#) [RD10A16-19-P6CS051/1](#)
[RD10A20-31-P8CS051/1](#) [RD16A14-12-S6CS051/2](#) [1301240290](#) [1301240347](#) [1301860202](#)