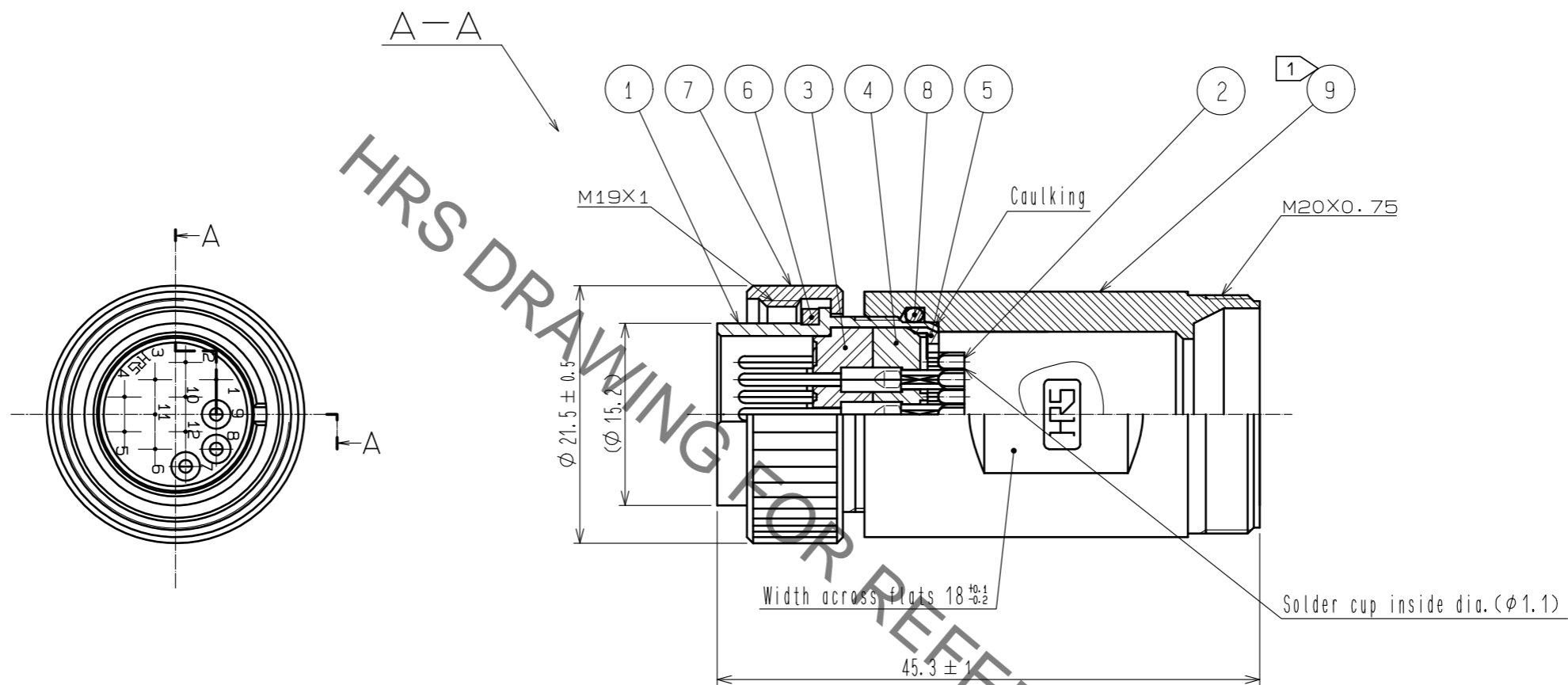


Jun.1.2019 Copyright 2019 HIROSE ELECTRIC CO., LTD. All Rights Reserved.  
 In case of consideration for using Automotive equipment / device which demand high reliability, kindly contact our sales window correspondents.



- Notes
- ① The recommended tightening torque of REF.NO. ⑨ : 3 N·m.  
LOCTITE 243, HENKEL JAPAN or equivalent is recommended to prevent REF.NO. ⑨ from loosening.
  - ② This product to be used with cable clamp, JR16WCC-\*(72).  
\* designate diameter of applicable cable.
  - ③ Rotation example of REF.NO. ① and ⑨ are shown.
  - ④ The cable pull and twisting strength and other characteristics may differ,  
depending on the cable structure, please confirm before the use.

5	Polyacetal	(White)						
4	Diallyl phthalate	(Black) UL94V-0	9	Zinc alloy	Chrome plating			
3	Diallyl phthalate	(Black) UL94V-0	8	Silicone rubber	(Black)			
2	Phosphor bronze	Surface area : Gold plating 0.2μm min. Under plating : Nickel plating 3μm min.	7	Brass	Chrome plating			
1	Copper alloy	Chrome plating	6	Silicone rubber	(Red)			
NO.	MATERIAL	FINISH . REMARKS	NO.	MATERIAL	FINISH . REMARKS			
UNITS mm			SCALE 2 : 1		DESCRIPTION OF REVISIONS	DESIGNED	CHECKED	DATE
<b>HRS</b> HIROSE ELECTRIC CO., LTD.			APPROVED : HY. KOBAYASHI	16.04.04	DRAWING NO.	EDC-111160-72-00		
			CHECKED : HY. KOBAYASHI	16.04.04	PART NO.	RM15WTPZA-12P(72)		
			DESIGNED : HK. NAMAI	16.04.01	CODE NO.	CL109-1738-6-72		
			DRAWN : HK. NAMAI	16.04.01				

## X-ON Electronics

Largest Supplier of Electrical and Electronic Components

*Click to view similar products for [Standard Circular Connector](#) category:*

*Click to view products by [Hirose](#) manufacturer:*

Other Similar products are found below :

[5M2530B10P](#) [600259N006](#) [600273N007](#) [6134-336-13149](#) [6134-337-11149](#) [6134-337-2390](#) [6134-341-17149](#) [6280-4SG-516](#) [6280-7SG-3DC](#)  
[6290](#) [6291A](#) [66200A-10](#) [680-SMG](#) [681-PMG](#) [CXS3102A14S2P](#) [CXS3102A181S](#) [7251-6SG-300](#) [7271-6SG-300](#) [7282-3PG-300-CH3](#) [75-](#)  
[474014-05S](#) [75-474618-01S](#) [75-474618-04P](#) [75-474618-04S](#) [799539-000](#) [MI8-SE](#) [805-005-07NF11-19PC](#) [805-005-07NF15-7PA](#) [8280-4PG-](#)  
[516](#) [8280-7PG-519](#) [8282-5PG-519](#) [836783-1](#) [MP-4102-25P-C](#) [862256-1](#) [864019-2](#) [866857-1](#) [867865-1](#) [PT01SP-14-18P](#) [PT08P-14-5S](#) [120-](#)  
[1833-000](#) [QCM019PC2DC012B](#) [1-2069279-1](#) [121583-0217](#) [121667-0020](#) [129591AU](#) [1000B BULK](#) [RD10A16-19-P6CS051/1](#) [RD10A20-31-](#)  
[P8CS051/1](#) [RD16A14-12-S6CS051/2](#) [1301240290](#) [1301240347](#) [1301860202](#)