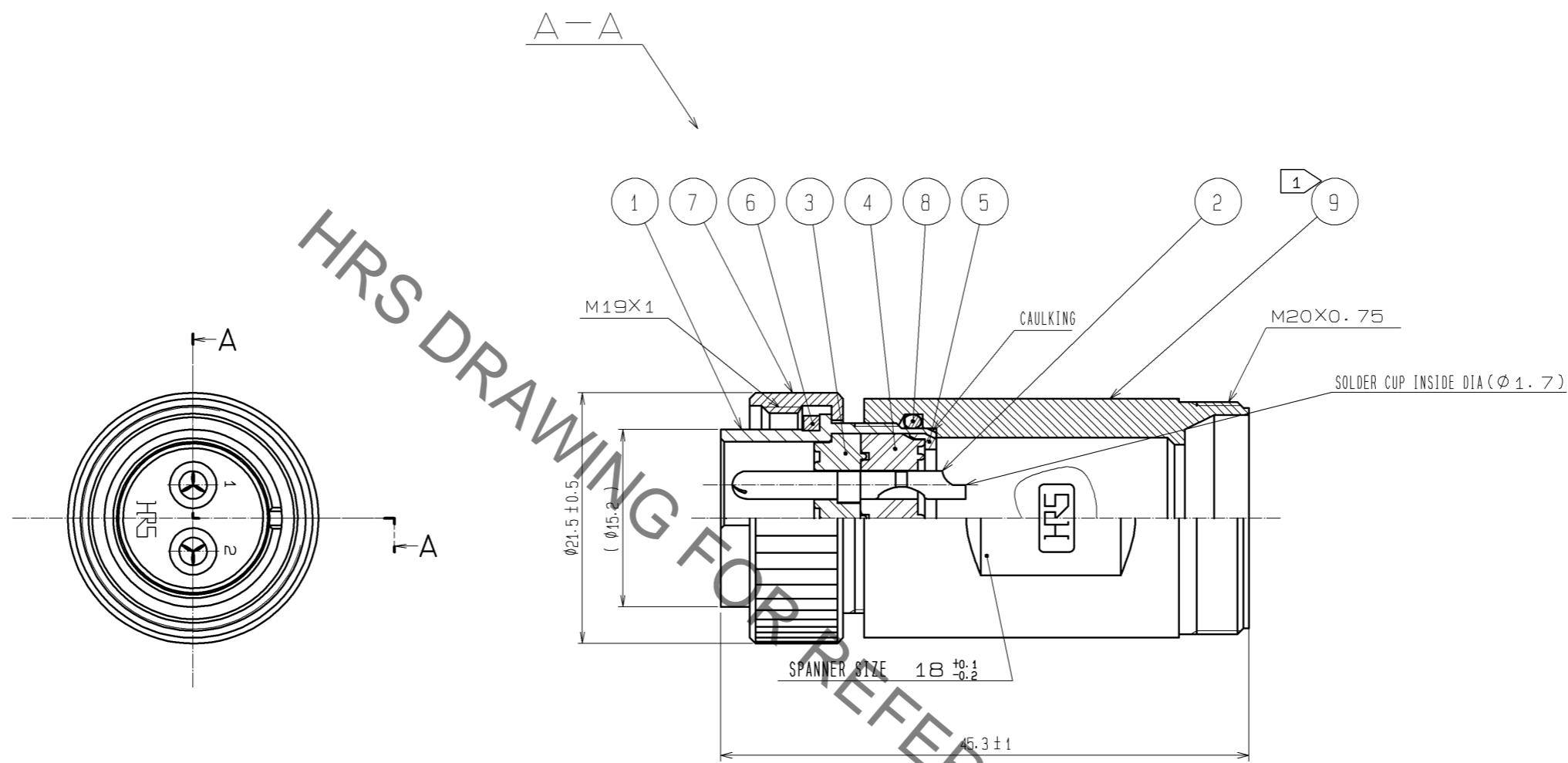


Jun.1.2019 Copyright 2019 HIROSE ELECTRIC CO., LTD. All Rights Reserved.
In case of consideration for using Automotive equipment / device which demand high reliability, kindly contact our sales window correspondents.



HRS DRAWING FOR REFERENCE

- NOTES
- ① THE RECOMMENDED TIGHTENING TORQUE OF REF. NO. ⑨ : 3N · m.
LOCTITE 243, HENKEL JAPAN OR EQUIVALENT IS RECOMMENDED TO PREVENT LOOSENING.
 - ② THIS PRODUCTS TO BE USED WITH CABLECLAMP, JR16WCC-*(72).
* INDICATES APPLICABLE CABLE DIAMETER.
 - ③ ROTATIONAL DIRECTION IMAGE OF REF. NO. ② TO REF. NO. ① IS AN EXAMPLE.
 - ④ THE CABLE PULL AND TWISTING STRENGTH AND OTHER CHARACTERISTICS MAY DIFFER.
DEPENDING ON THE CABLE STRUCTURE. PLEASE CONFIRM BEFORE THE USE.

NO.	MATERIAL	FINISH . REMARKS	NO.	MATERIAL	FINISH . REMARKS
5	POLYACETAL	(WHITE)			
4	DIALLYL PHTHALATE	(BLACK) UL94V-0	9	ZINC ALLOY	CHROME PLATING
3	DIALLYL PHTHALATE	(BLACK) UL94V-0	8	SILICONE RUBBER	(BLACK)
2	COPPER ALLOY	SILVER PLATING 2µm min.	7	BRASS	CHROME PLATING
1	ZINC ALLOY	CHROME PLATING	6	SILICONE RUBBER	(RED)

UNITS mm		SCALE 2 : 1	COUNT 	DESCRIPTION OF REVISIONS	DESIGNED	CHECKED	DATE
HRS HIROSE ELECTRIC CO., LTD.		APPROVED : EJ. KUNII	14. 04. 14	DRAWING NO.	EDC3-111156-71		
		CHECKED : HY. KISHI	14. 04. 14	PART NO.	RM15WTPZA-2P(71)		
		DESIGNED : MM. ISHII	14. 04. 11	CODE NO.	CL109-1734-5-71		
		DRAWN : MM. ISHII	14. 04. 11		1/1		

X-ON Electronics

Largest Supplier of Electrical and Electronic Components

Click to view similar products for [Standard Circular Connector](#) category:

Click to view products by [Hirose](#) manufacturer:

Other Similar products are found below :

[5M2530B10P](#) [600259N006](#) [600273N007](#) [6134-336-13149](#) [6134-337-11149](#) [6134-337-2390](#) [6134-341-17149](#) [6280-4SG-516](#) [6280-7SG-3DC](#)
[6290](#) [6291A](#) [66200A-10](#) [680-SMG](#) [681-PMG](#) [CXS3102A14S2P](#) [CXS3102A181S](#) [7251-6SG-300](#) [7271-6SG-300](#) [7282-3PG-300-CH3](#) [75-](#)
[474014-05S](#) [75-474618-01S](#) [75-474618-04S](#) [799539-000](#) [MI8-SE](#) [805-005-07NF11-19PC](#) [805-005-07NF15-7PA](#) [8280-4PG-516](#) [8280-7PG-](#)
[519](#) [8282-5PG-519](#) [836783-1](#) [MP-4102-25P-C](#) [862256-1](#) [864019-2](#) [866857-1](#) [867865-1](#) [PT01SP-14-18P](#) [PT08P-14-5S](#) [PTSF06SE-14-12S](#)
[120-1833-000](#) [QCM019PC2DC012B](#) [1-2069279-1](#) [121583-0217](#) [121667-0020](#) [129591AU](#) [1000B BULK](#) [RD10A16-19-P6CS051/1](#)
[RD10A20-31-P8CS051/1](#) [RD16A14-12-S6CS051/2](#) [1301240290](#) [1301240347](#) [1301860202](#)