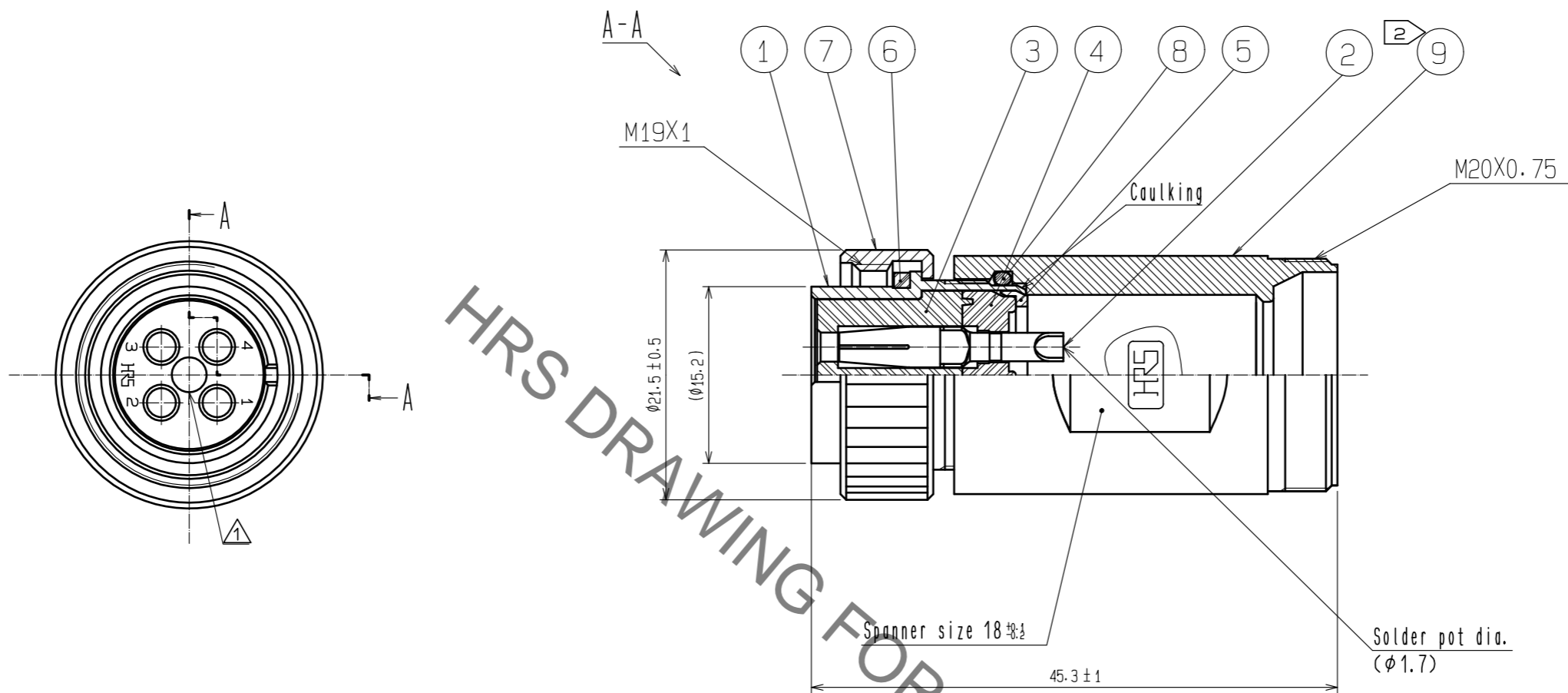


Sep.1.2021 Copyright 2021 HIROSE ELECTRIC CO., LTD. All Rights Reserved.  
In case of consideration for using Automotive equipment / device which demand high reliability, kindly contact our sales window correspondents.



- Notes
- 1 Rotation examples of ref. No. ⑨ to ref. No. ① is shown.
  - 2 The recommended clamp torque of ref. No. ⑨ : 3 N·m.  
LOCTITE 263, HENKEL JAPAN or equivalent is recommended to prevent ref. No. ⑨ from loosening.
  - 3 This product to be used with cableclamp : JR16WCC-\*(72)  
\* designate diameter of applicable cable.
  - 4 The cable pull and twisting strength, waterproof tightness and other characteristics may differ, depending on the cable structure.  
Please confirm before the use.

NO.	MATERIAL	FINISH	REMARKS	NO.	MATERIAL	FINISH	REMARKS
4	PPS	(BLACK)	UL94V-0	9	ZINC ALLOY	CHROME PLATING	
3	PPS	(BLACK)	UL94V-0	8	SILICONE RUBBER	(BLACK)	
2	COPPER ALLOY	SURFACE : GOLD PLATING 0.2µm min. UNDER : NICKEL PLATING 3µm min.		7	BRASS	CHROME PLATING	
1	ZINC ALLOY	CHROME PLATING		6	SILICONE RUBBER	(RED)	
				5	POLYACETAL	(WHITE)	

UNITS	SCALE	COUNT	DESCRIPTION OF REVISIONS	DESIGNED	CHECKED	DATE
mm	2 : 1	1	DIS-C-00000841	KN. IKEHARA	HY. KOBAYASHI	16.03.02
APPROVED : HY. KOBAYASHI 15.11.06			DRAWING NO. EDC-111152-82-00			
CHECKED : HY. KOBAYASHI 15.11.06			PART NO. RM15WTPZA-4S(82)			
DESIGNED : KN. IKEHARA 15.11.06			CODE NO. CL109-1730-4-82			
DRAWN : KN. IKEHARA 15.11.06						

## X-ON Electronics

Largest Supplier of Electrical and Electronic Components

*Click to view similar products for [Standard Circular Connector](#) category:*

*Click to view products by [Hirose](#) manufacturer:*

Other Similar products are found below :

[5M2530B10P](#) [600259N006](#) [600273N007](#) [6134-336-13149](#) [6134-337-11149](#) [6134-337-2390](#) [6134-341-17149](#) [6280-4SG-516](#) [6280-7SG-3DC](#)  
[6290](#) [6291A](#) [66200A-10](#) [680-SMG](#) [681-PMG](#) [CXS3102A14S2P](#) [CXS3102A181S](#) [7251-6SG-300](#) [7271-6SG-300](#) [7282-3PG-300-CH3](#) [75-](#)  
[474014-05S](#) [75-474618-01S](#) [75-474618-04S](#) [799539-000](#) [MI8-SE](#) [805-005-07NF11-19PC](#) [805-005-07NF15-7PA](#) [8280-4PG-516](#) [8280-7PG-](#)  
[519](#) [8282-5PG-519](#) [836783-1](#) [MP-4102-25P-C](#) [862256-1](#) [864019-2](#) [866857-1](#) [867865-1](#) [PT01SP-14-18P](#) [PT08P-14-5S](#) [PTSF06SE-14-12S](#)  
[120-1833-000](#) [QCM019PC2DC012B](#) [1-2069279-1](#) [121583-0217](#) [121667-0020](#) [129591AU](#) [1000B BULK](#) [RD10A16-19-P6CS051/1](#)  
[RD10A20-31-P8CS051/1](#) [RD16A14-12-S6CS051/2](#) [1301240290](#) [1301240347](#) [1301860202](#)