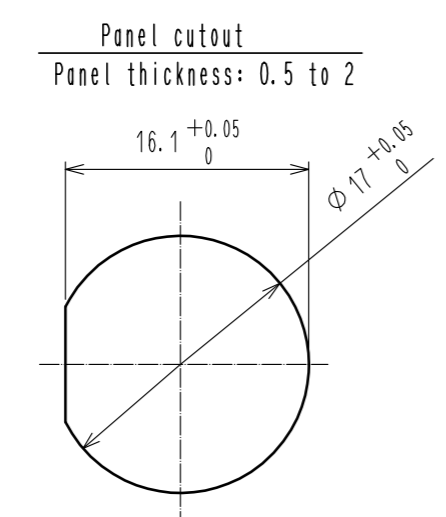
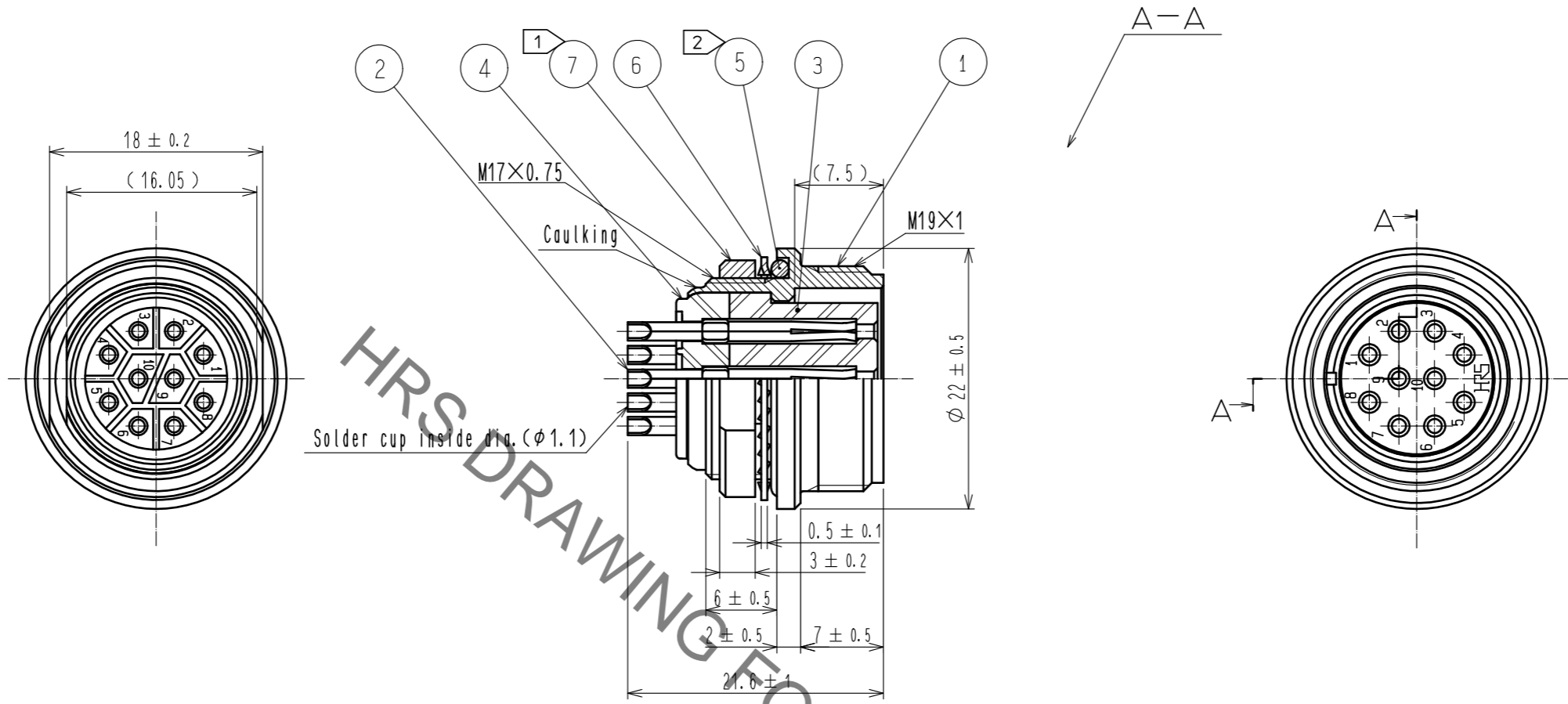


Jun.1.2019 Copyright 2019 HIROSE ELECTRIC CO., LTD. All Rights Reserved.  
In case of consideration for using Automotive equipment / device which demand high reliability, kindly contact our sales window correspondents.



- Notes
- ① The recommended clamp torque of ref. No. ⑦ : 3 N·m.  
LOCTITE 243, HENKEL JAPAN or equivalent is recommended to prevent ref. No. ⑦ from loosening.
  - ② When mounted on chassis, be careful reference No. ⑤ is fitted into the indicates groove any biting.

| NO. | MATERIAL          | FINISH . REMARKS        | NO. | MATERIAL        | FINISH . REMARKS |
|-----|-------------------|-------------------------|-----|-----------------|------------------|
| 4   | Diallyl phthalate | (Black) UL94V-0         |     |                 |                  |
| 3   | Diallyl phthalate | (Black) UL94V-0         | 7   | Brass           | Nickel plating   |
| 2   | Copper alloy      | Silver plating 5μm min. | 6   | Phosphor bronze | Nickel plating   |
| 1   | Zink alloy        | Chrome plating          | 5   | Silicon rubber  | (Black)          |

| UNITS                   | SCALE | COUNT | DESCRIPTION OF REVISIONS | DESIGNED                     | CHECKED | DATE |
|-------------------------|-------|-------|--------------------------|------------------------------|---------|------|
| mm                      | 2 : 1 | △     |                          |                              |         |      |
| APPROVED : SU. OBARA    |       |       | 16.03.16                 | DRAWING NO. EDC-111081-71-00 |         |      |
| CHECKED : HY. KOBAYASHI |       |       | 16.03.16                 | PART NO. RM15WTRZ-10S(71)    |         |      |
| DESIGNED : DS. MATSUNE  |       |       | 16.03.16                 | CODE NO. CL109-1641-6-71     |         |      |
| DRAWN : DS. MATSUNE     |       |       | 16.03.16                 | 1/1                          |         |      |

## X-ON Electronics

Largest Supplier of Electrical and Electronic Components

*Click to view similar products for [Standard Circular Connector](#) category:*

*Click to view products by [Hirose](#) manufacturer:*

Other Similar products are found below :

[5M2530B10P](#) [600259N006](#) [600273N007](#) [6134-336-13149](#) [6134-337-11149](#) [6134-337-2390](#) [6134-341-17149](#) [6280-4SG-516](#) [6280-7SG-3DC](#)  
[6290](#) [6291A](#) [66200A-10](#) [680-SMG](#) [681-PMG](#) [CXS3102A14S2P](#) [CXS3102A181S](#) [7251-6SG-300](#) [7271-6SG-300](#) [7282-3PG-300-CH3](#) [75-](#)  
[474014-05S](#) [75-474618-01S](#) [75-474618-04P](#) [75-474618-04S](#) [799539-000](#) [MI8-SE](#) [805-005-07NF11-19PC](#) [805-005-07NF15-7PA](#) [8280-4PG-](#)  
[516](#) [8280-7PG-519](#) [8282-5PG-519](#) [836783-1](#) [MP-4102-25P-C](#) [862256-1](#) [864019-2](#) [866857-1](#) [867865-1](#) [PT01SP-14-18P](#) [PT08P-14-5S](#)  
[PTSF06SE-14-12S](#) [120-1833-000](#) [QCM019PC2DC012B](#) [1-2069279-1](#) [121583-0217](#) [121667-0020](#) [129591AU](#) [1000B BULK](#) [RD10A16-19-](#)  
[P6CS051/1](#) [RD10A20-31-P8CS051/1](#) [RD16A14-12-S6CS051/2](#) [1301240290](#) [1301240347](#)