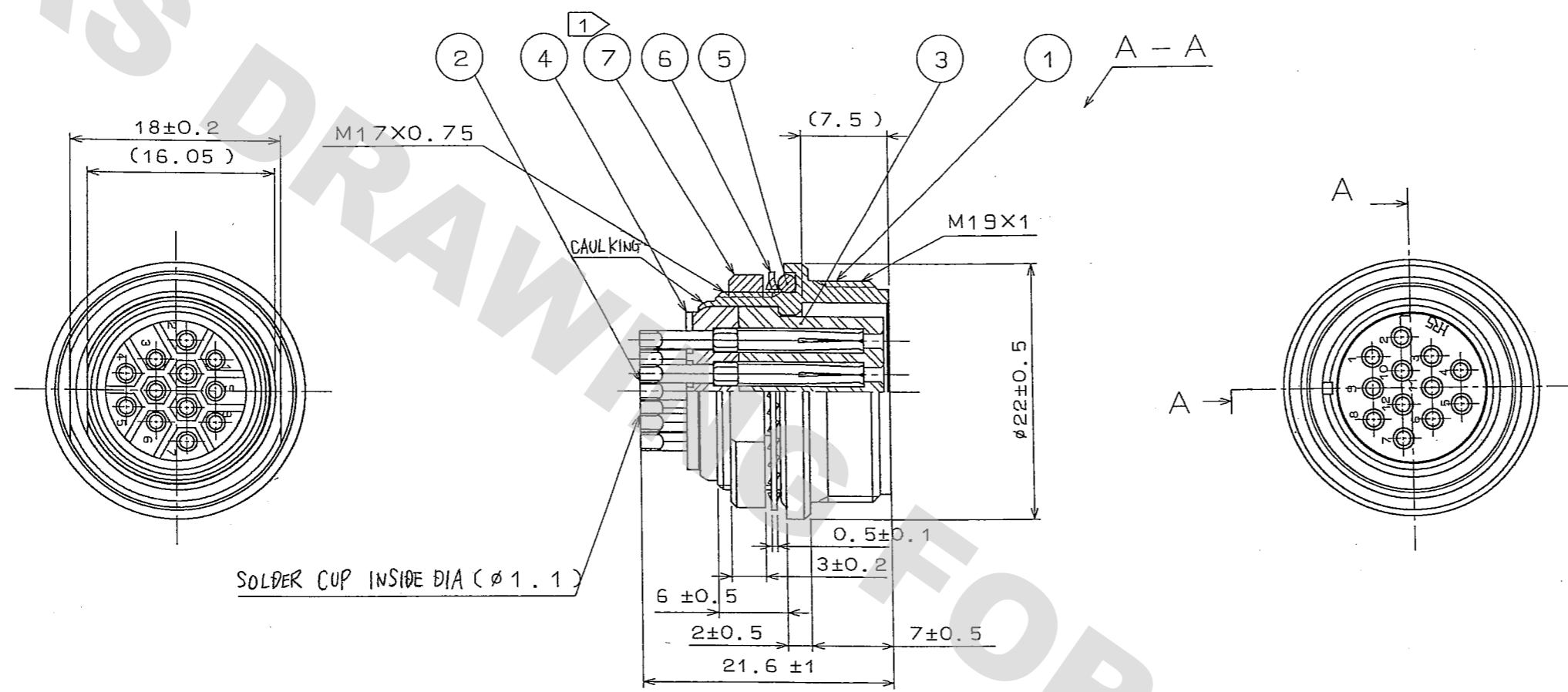
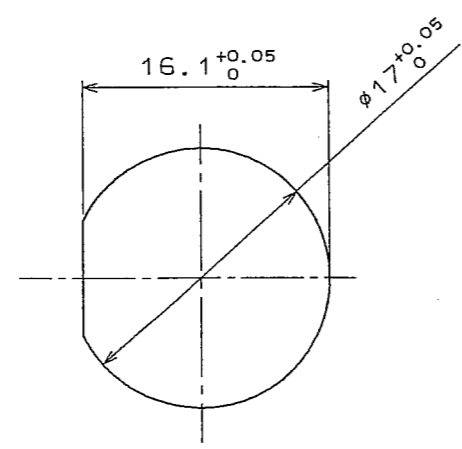


DRAWING FOR REFERENCE: This is subject to change without notice  
08/11/2012

COUNT	DESCRIPTION OF REVISIONS	BY	CHKD	DATE	COUNT	DESCRIPTION OF REVISIONS	BY	CHKD	DATE
△					△				
△					△				
△					△				



SOLDER CUP INSIDE DIA (φ1.1)



DIMENSIONS OF MOUNTING HOLE (2:1)  
t=0.5 TO 2

NOTE ① THE RECOMMENDED CLAMP TORQUE OF REF.NO. ⑦ TO BE 3 N·m.  
LOCTITE 242, HENKEL JAPAN OR EQUIVALENT IS RECOMMENDED TO PREVENT  
REF.NO. ⑦ FROM LOSING.  
② PLATING  
UNDER PLATING: NICKEL 3μm min.  
SURFACE: GOLD 0.2μm min.

4	DIALLYL PHTHALATE	(BLACK)UL94V-0		
3	DIALLYL PHTHALATE	(BLACK)UL94V-0	7	BRASS
2	COPPER ALLOY	②	6	PHOSPHOR BRONZE
1	ZINC ALLOY	CHROME PLATING	5	SILICON RUBBER
NO.	MATERIAL	FINISH, REMARKS	NO.	MATERIAL
				FINISH, REMARKS
				NICKEL PLATING
				NICKEL PLATING
				(BLACK)

CODE NO. (OLD) CL	DRAWN Y. Yamada 05.11.18	DESIGNED G. Yamada 05.11.18	CHECKED H. Zemba 05.11.18	APPROVED M. Sato 05.11.18	RELEASED ..
SCALE 2 : 1	DRAWING NO. EDC3-111082-72	PART NO. RM15WTRZ-12S(72)			
UNITS mm	HRS HIROSE ELECTRIC CO., LTD	CODE NO. CL109-1642-9-72			1/1

TO
R

## X-ON Electronics

Largest Supplier of Electrical and Electronic Components

*Click to view similar products for [Standard Circular Connector](#) category:*

*Click to view products by [Hirose](#) manufacturer:*

Other Similar products are found below :

[5M2530B10P](#) [600259N006](#) [600273N007](#) [6134-336-13149](#) [6134-337-11149](#) [6134-337-2390](#) [6134-341-17149](#) [6280-4SG-516](#) [6280-7SG-3DC](#)  
[6290](#) [6291A](#) [66200A-10](#) [680-SMG](#) [681-PMG](#) [CXS3102A14S2P](#) [CXS3102A181S](#) [7251-6SG-300](#) [7271-6SG-300](#) [7282-3PG-300-CH3](#) [75-](#)  
[474014-05S](#) [75-474618-01S](#) [75-474618-04P](#) [75-474618-04S](#) [799539-000](#) [MI8-SE](#) [805-005-07NF11-19PC](#) [805-005-07NF15-7PA](#) [8280-4PG-](#)  
[516](#) [8280-7PG-519](#) [8282-5PG-519](#) [836783-1](#) [MP-4102-25P-C](#) [862256-1](#) [864019-2](#) [866857-1](#) [867865-1](#) [PT01SP-14-18P](#) [PT08P-14-5S](#)  
[PTSF06SE-14-12S](#) [120-1833-000](#) [QCM019PC2DC012B](#) [1-2069279-1](#) [121583-0217](#) [121667-0020](#) [129591AU](#) [1000B BULK](#) [RD10A16-19-](#)  
[P6CS051/1](#) [RD10A20-31-P8CS051/1](#) [RD16A14-12-S6CS051/2](#) [1301240290](#) [1301240347](#)