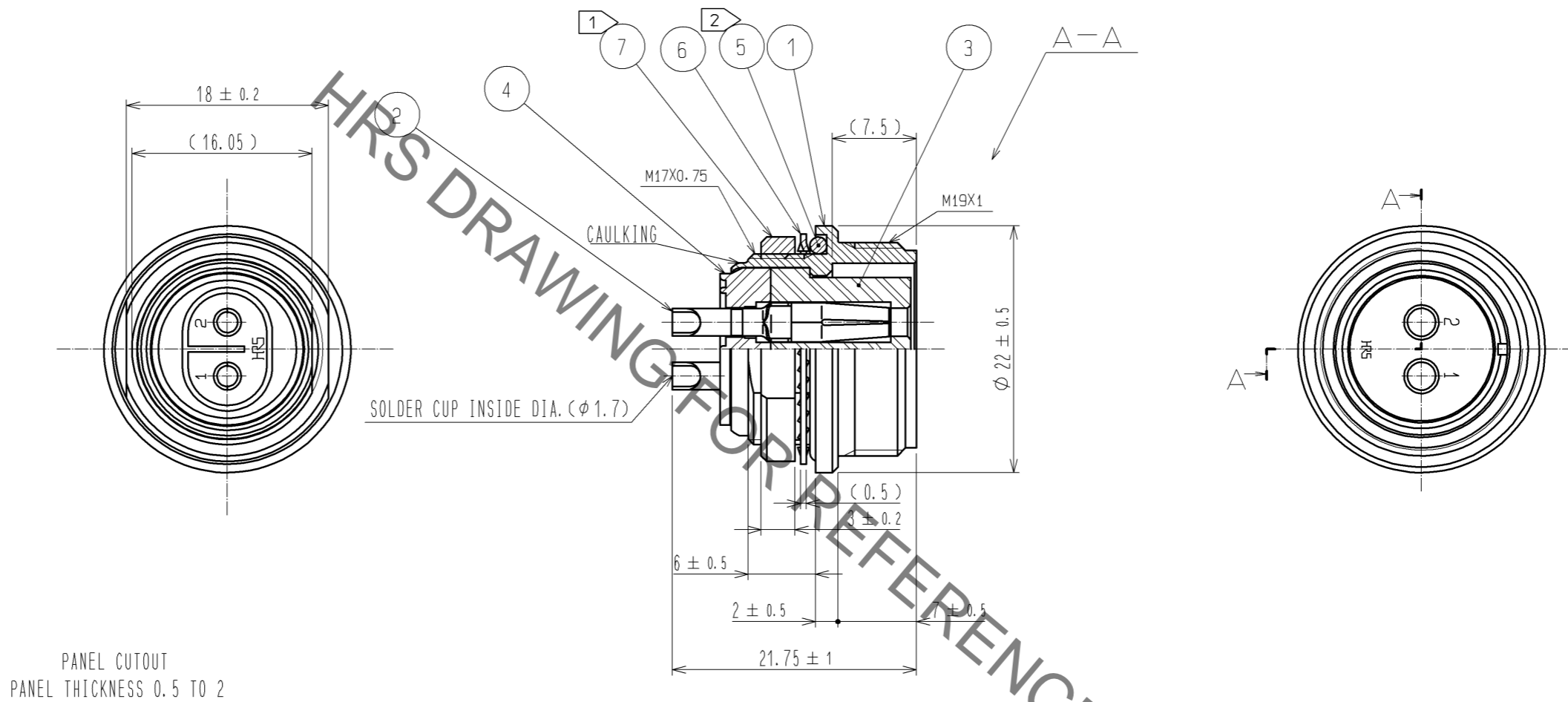


Jun.1.2019 Copyright 2019 HIROSE ELECTRIC CO., LTD. All Rights Reserved.
 In case of consideration for using Automotive equipment / device which demand high reliability, kindly contact our sales window correspondents.



- NOTES
- ① THE RECOMMENDED CLAMP TORQUE OF REF. NO. ⑦ TO BE 3 N · m. LOCTITE 271, HENKEL JAPAN OR EQUIVLENT IS RECOMMENDED TO PREVENT REF. NO. ⑦ FROM LOOSING.
 - ② WHEN MOUNTED ON CHASSIS CAREFUL THAT REFERENCE NO. ⑤ IS FITTIED INTO THE INDICATED GROOVE WITHOUT ANY BITTING.

| NO. | MATERIAL | FINISH . REMARKS | NO. | MATERIAL | FINISH . REMARKS |
|-----|-------------------|-------------------------|-----|-----------------|------------------|
| 4 | DIALLYL PHTHALATE | (BLACK) UL94V-0 | | | |
| 3 | DIALLYL PHTHALATE | (BLACK) UL94V-0 | 7 | BRASS | NICKEL PLATING |
| 2 | COPPER ALLOY | SILVER PLATING 2μm min. | 6 | PHOSPHOR BRONZE | NICKEL PLATING |
| 1 | ZINC ALLOY | CHROME PLATING | 5 | SILICONE RUBBER | (BLACK) |

| UNITS | SCALE | COUNT | DESCRIPTION OF REVISIONS | DESIGNED | CHECKED | DATE |
|----------------------|-------|-------|--------------------------|----------------------------|---------|------|
| mm | 2 : 1 | △ | | | | |
| APPROVED : SU. OBARA | | | 11.06.09 | DRAWING NO. EDC3-111077-71 | | |
| CHECKED : HY. KISHI | | | 11.06.09 | PART NO. RM15WTRZ-2S(71) | | |
| DESIGNED : WR. AJIRO | | | 11.06.09 | CODE NO. CL109-1637-9-71 | | |
| DRAWN : WR. AJIRO | | | 11.06.09 | △ 1/1 | | |

X-ON Electronics

Largest Supplier of Electrical and Electronic Components

Click to view similar products for [Standard Circular Connector](#) category:

Click to view products by [Hirose](#) manufacturer:

Other Similar products are found below :

[5M2530B10P](#) [600259N006](#) [600273N007](#) [6134-336-13149](#) [6134-337-11149](#) [6134-337-2390](#) [6134-341-17149](#) [6280-4SG-516](#) [6280-7SG-3DC](#)
[6290](#) [6291A](#) [66200A-10](#) [680-SMG](#) [681-PMG](#) [CXS3102A14S2P](#) [CXS3102A181S](#) [7251-6SG-300](#) [7271-6SG-300](#) [7282-3PG-300-CH3](#) [75-](#)
[474014-05S](#) [75-474618-01S](#) [75-474618-04S](#) [799539-000](#) [MI8-SE](#) [805-005-07NF11-19PC](#) [805-005-07NF15-7PA](#) [8280-4PG-516](#) [8280-7PG-](#)
[519](#) [8282-5PG-519](#) [836783-1](#) [MP-4102-25P-C](#) [862256-1](#) [864019-2](#) [866857-1](#) [867865-1](#) [PT01SP-14-18P](#) [PT08P-14-5S](#) [PTSF06SE-14-12S](#)
[120-1833-000](#) [QCM019PC2DC012B](#) [1-2069279-1](#) [121583-0217](#) [121667-0020](#) [129591AU](#) [1000B BULK](#) [RD10A16-19-P6CS051/1](#)
[RD10A20-31-P8CS051/1](#) [RD16A14-12-S6CS051/2](#) [1301240290](#) [1301240347](#) [1301860202](#)