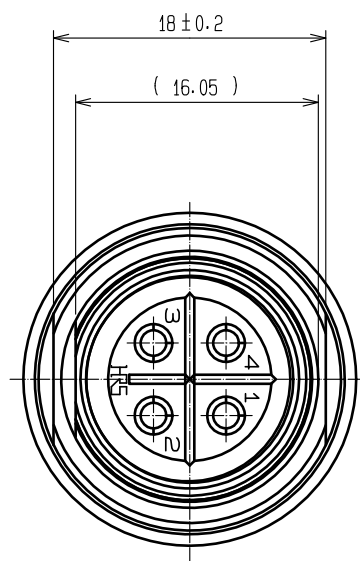
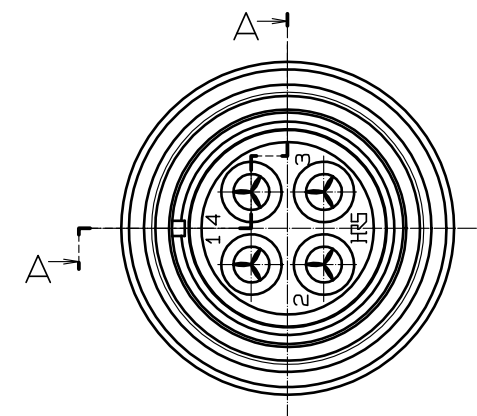
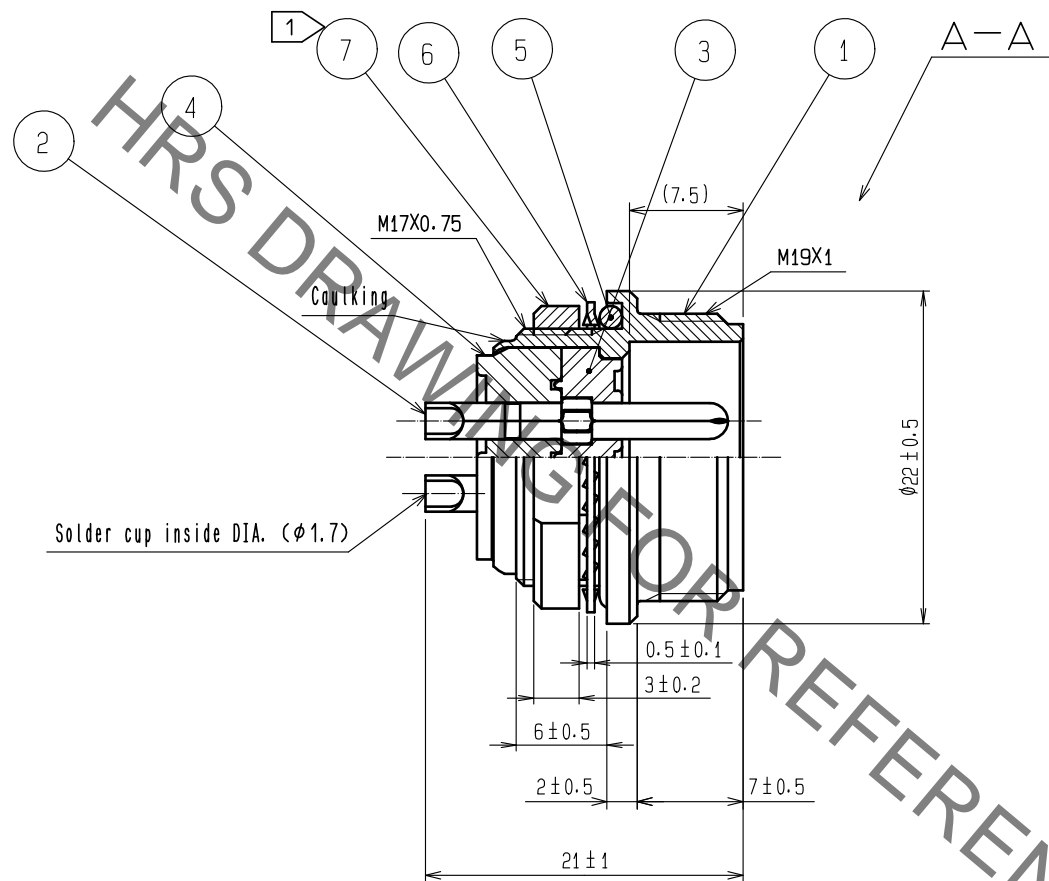
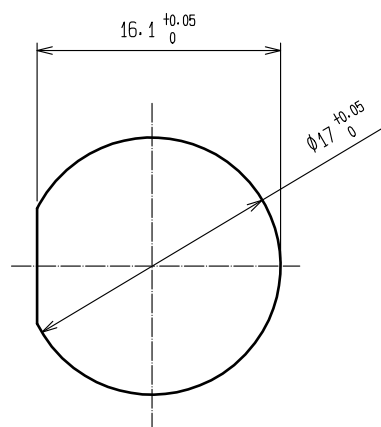


Jun.1.2019 Copyright 2019 HIROSE ELECTRIC CO., LTD. All Rights Reserved.
 In case of consideration for using Automotive equipment / device which demand high reliability, kindly contact our sales window correspondents.



Panel cutout
 Panel thickness : t= 0.5 to 2



- Notes ① The recommended tightening torque of REF. No. ⑦ : 3 N·m.
 Thread locker to the threaded portion of REF. No. ① is recommended to prevent REF. No. ⑦ from loosening.
 Recommended thread locker : LOCTITE 243, HENKEL JAPAN CO. LTD.
- ② Plating.
 Surface : Gold 0.2µm min.
 Under : Nickel 3µm min.

4	Diallyl phthalate	(Black) UL94V-0			
3	Diallyl phthalate	(Black) UL94V-0	7	Brass	Nickel plating
2	Copper alloy	②	6	Phosphor bronze	Nickel plating
1	Zinc alloy	Chrome plating	5	Silicone rubber	Black
NO.	MATERIAL	FINISH . REMARKS	NO.	MATERIAL	FINISH . REMARKS

UNITS mm		SCALE 2 : 1	COUNT △	DESCRIPTION OF REVISIONS	DESIGNED	CHECKED	DATE
HRS HIROSE ELECTRIC CO., LTD.		APPROVED : HY. KOBAYASHI	16.03.25	DRAWING NO.	EDC-111073-72-00		
		CHECKED : HY. KOBAYASHI	16.03.25	PART NO.	RM15WTRZ-4P(72)		
		DESIGNED : TH. KAMEYA	16.03.25	CODE NO.	CL109-1633-8-72		
		DRAWN : TH. KAMEYA	16.03.25		1/1		

X-ON Electronics

Largest Supplier of Electrical and Electronic Components

Click to view similar products for [Standard Circular Connector](#) category:

Click to view products by [Hirose](#) manufacturer:

Other Similar products are found below :

[5M2530B10P](#) [600259N006](#) [600273N007](#) [6134-336-13149](#) [6134-337-11149](#) [6134-337-2390](#) [6134-341-17149](#) [6280-4SG-516](#) [6280-7SG-3DC](#)
[6290](#) [6291A](#) [66200A-10](#) [680-SMG](#) [681-PMG](#) [CXS3102A14S2P](#) [CXS3102A181S](#) [7251-6SG-300](#) [7271-6SG-300](#) [7282-3PG-300-CH3](#) [75-](#)
[474014-05S](#) [75-474618-01S](#) [75-474618-04P](#) [75-474618-04S](#) [799539-000](#) [MI8-SE](#) [805-005-07NF11-19PC](#) [805-005-07NF15-7PA](#) [8280-4PG-](#)
[516](#) [8280-7PG-519](#) [8282-5PG-519](#) [836783-1](#) [MP-4102-25P-C](#) [862256-1](#) [864019-2](#) [866857-1](#) [867865-1](#) [PT01SP-14-18P](#) [PT08P-14-5S](#)
[PTSF06SE-14-12S](#) [120-1833-000](#) [QCM019PC2DC012B](#) [1-2069279-1](#) [121583-0217](#) [121667-0020](#) [129591AU](#) [1000B BULK](#) [RD10A16-19-](#)
[P6CS051/1](#) [RD10A20-31-P8CS051/1](#) [RD16A14-12-S6CS051/2](#) [1301240290](#) [1301240347](#)