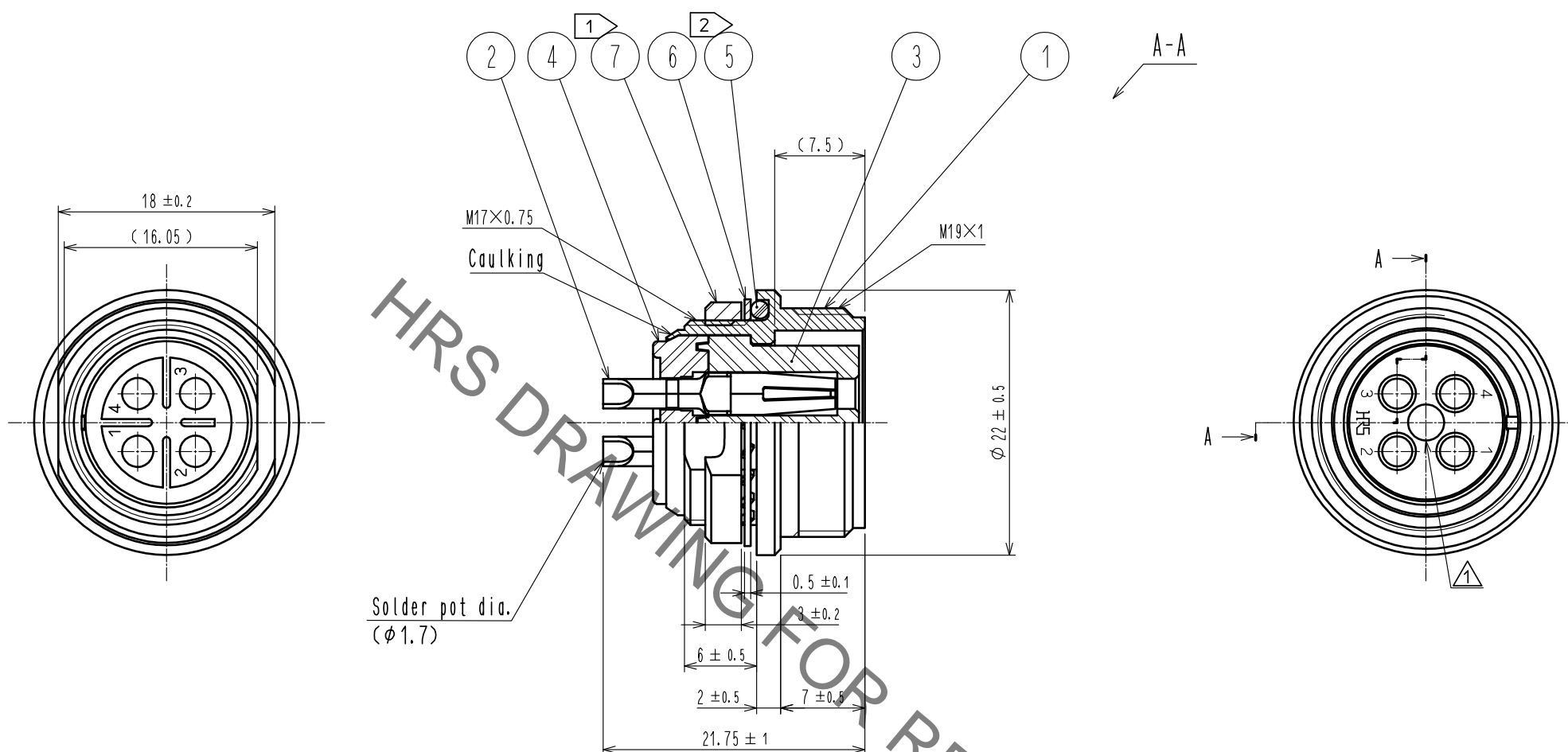
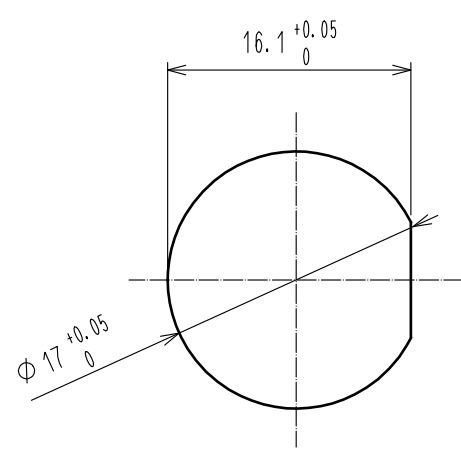


Sep.1.2021 Copyright 2021 HIROSE ELECTRIC CO., LTD. All Rights Reserved.
In case of consideration for using Automotive equipment / device which demand high reliability, kindly contact our sales window correspondents.



Panel cutout
(Panel thickness : 0.5 to 2.)



Notes ① The recommended clamp torque of ref. No. ⑦ : 3 N·m.
LOCTITE 243, HENKEL JAPAN or equivalent is recommended to prevent ref. No. ⑦ from loosening.
② When mounted on chassis, be careful ref. No. ⑤ is fitted into the indicates groove any biting.

3	PPS	(BLACK)	UL94V-0	7	BRASS	NICKEL PLATING
2	COPPER ALLOY	SURFACE : GOLD PLATING 0.2μm min. UNDER : NICKEL PLATING 3μm min.		6	PHOSPHOR BRONZE	NICKEL PLATING
1	ZINC ALLOY	CHROME PLATING		5	SILICONE RUBBER	(BLACK)
				4	PPS	(BLACK) UL94V-0
NO.	MATERIAL	FINISH	REMARKS	NO.	MATERIAL	FINISH . REMARKS
UNITS	mm	SCALE	2 : 1	COUNT	1	DESCRIPTION OF REVISIONS
						DESIGNED : KN. IKEHARA
						CHECKED : HY. KOBAYASHI
						DATE : 16.03.02
APPROVED : HY. KOBAYASHI			15.11.06	DRAWING NO. EDC-111079-82-00		
CHECKED : HY. KOBAYASHI			15.11.06	PART NO. RM15WTRZ-4S(82)		
DESIGNED : KN. IKEHARA			15.11.06	CODE NO. CL109-1639-4-82		
DRAWN : KN. IKEHARA			15.11.06			

X-ON Electronics

Largest Supplier of Electrical and Electronic Components

Click to view similar products for [Standard Circular Connector](#) category:

Click to view products by [Hirose](#) manufacturer:

Other Similar products are found below :

[5M2530B10P](#) [600259N006](#) [600273N007](#) [6134-336-13149](#) [6134-337-11149](#) [6134-337-2390](#) [6134-341-17149](#) [6280-4SG-516](#) [6280-7SG-3DC](#)
[6290](#) [6291A](#) [66200A-10](#) [680-SMG](#) [681-PMG](#) [CXS3102A14S2P](#) [CXS3102A181S](#) [7251-6SG-300](#) [7271-6SG-300](#) [7282-3PG-300-CH3](#) [75-](#)
[474014-05S](#) [75-474618-01S](#) [75-474618-04P](#) [75-474618-04S](#) [799539-000](#) [MI8-SE](#) [805-005-07NF11-19PC](#) [805-005-07NF15-7PA](#) [8280-4PG-](#)
[516](#) [8280-7PG-519](#) [8282-5PG-519](#) [836783-1](#) [MP-4102-25P-C](#) [862256-1](#) [864019-2](#) [866857-1](#) [867865-1](#) [PT01SP-14-18P](#) [PT08P-14-5S](#) [120-](#)
[1833-000](#) [QCM019PC2DC012B](#) [1-2069279-1](#) [121583-0217](#) [121667-0020](#) [129591AU](#) [1000B BULK](#) [RD10A16-19-P6CS051/1](#) [RD10A20-31-](#)
[P8CS051/1](#) [RD16A14-12-S6CS051/2](#) [1301240290](#) [1301240347](#) [1301860202](#)