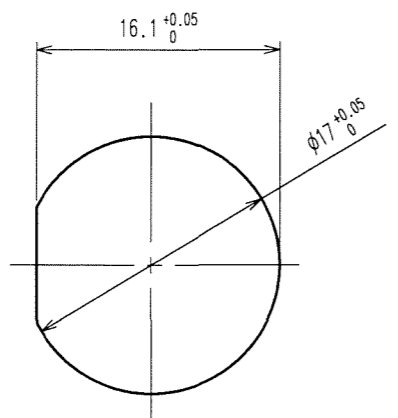
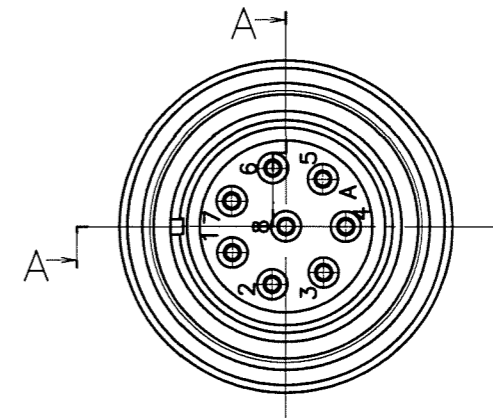
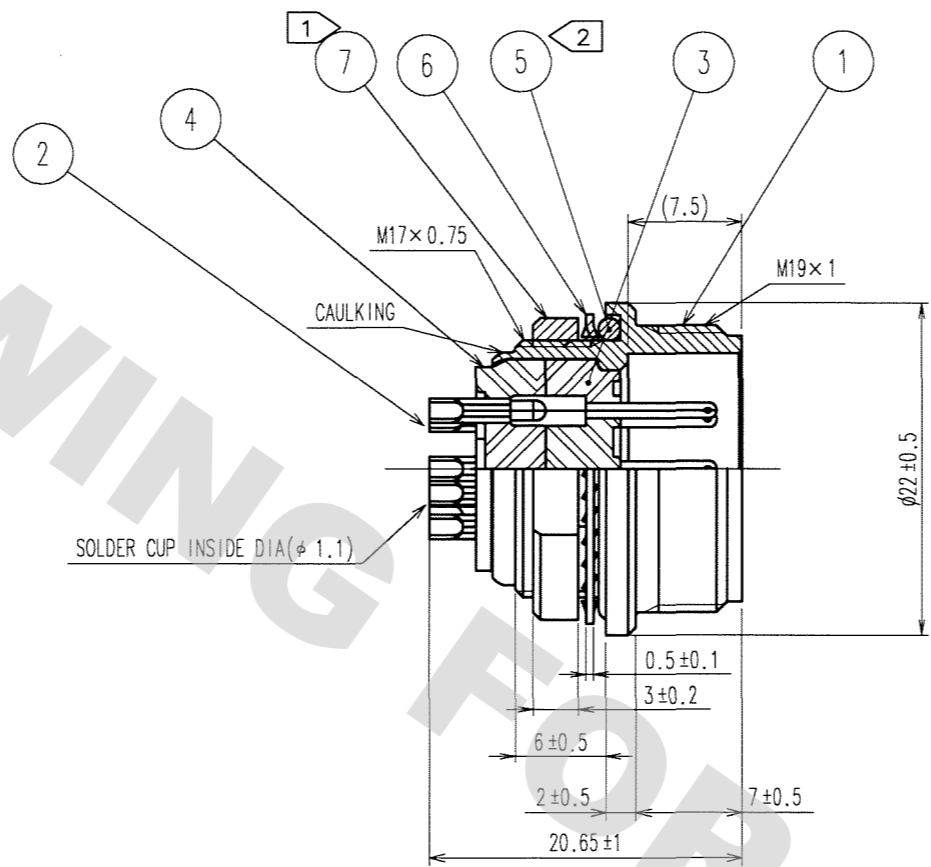
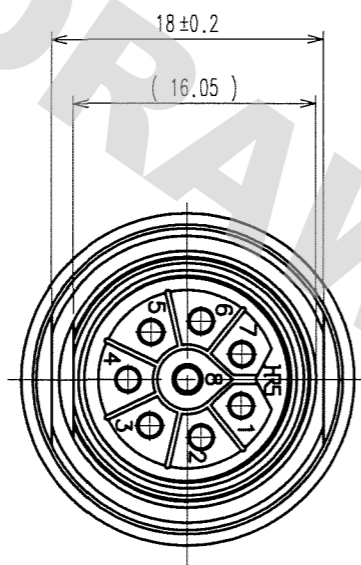


COUNT	DESCRIPTION OF REVISIONS	BY	CHKD	DATE	COUNT	DESCRIPTION OF REVISIONS	BY	CHKD	DATE
△				..	△				..
△				..	△				..
△				..	△				..

A  
B  
C  
D  
E  
F



PANEL CUTOUT (2:1)  
THICKNESS:0.5 MIN. TO 2 MAX.

NOTES 1 THE RECOMMENDED TIGHTEN TORQUE OF REF.NO. ⑦ TO BE 3 N·m. ADHESIVE LOCTITE 242, HENKEL JAPAN OR EQUIVALENT IS RECOMMENDED TO PREVENT REF.NO. ⑦ FROM LOOSENING.  
2 AT THE CONNECTOR MOUNT, REF.NO. ⑥ O-ring SHALL BE ATTACHED WITHOUT BITE LUMP.

4	DIALYL PHTHALATE	(BLACK)	UL 94V-0		
3	DIALYL PHTHALATE	(BLACK)	UL 94V-0	7	BRASS
2	COPPER ALLOY	SILVER PLATING 2 μm min.		6	PHOSPHOR BRONZE
1	ZINC ALLOY	CHROME PLATING		5	SILLICONE RUBBER (BLACK)
NO.	MATERIAL	FINISH, REMARKS	NO.	MATERIAL	FINISH, REMARKS

CODE NO. (OLD)	CL	DRAWN	DESIGNED	CHECKED	APPROVED	RELEASED
		E. Yamino	G. Yamada	H. Sawa	M. Sato	
		06.05.13	06.05.13	06.05.15	06.05.16	

SCALE	2 : 1	DRAWING NO.	EDC3-111074-71	PART NO.	RM15WTRZ-8P(71)
UNITS	mm	HRS	HIROSE ELECTRIC CO., LTD	CODE NO.	CL109-1634-0-71

DRAWING FOR REFERENCE: This is subject to change without notice  
08/11/2012

TO
R

## X-ON Electronics

Largest Supplier of Electrical and Electronic Components

*Click to view similar products for [Standard Circular Connector](#) category:*

*Click to view products by [Hirose](#) manufacturer:*

Other Similar products are found below :

[5M2530B10P](#) [600259N006](#) [600273N007](#) [6134-336-13149](#) [6134-337-11149](#) [6134-337-2390](#) [6134-341-17149](#) [6280-4SG-516](#) [6280-7SG-3DC](#)  
[6290](#) [6291A](#) [66200A-10](#) [680-SMG](#) [681-PMG](#) [CXS3102A14S2P](#) [CXS3102A181S](#) [7251-6SG-300](#) [7271-6SG-300](#) [7282-3PG-300-CH3](#) [75-](#)  
[474014-05S](#) [75-474618-01S](#) [75-474618-04S](#) [799539-000](#) [MI8-SE](#) [805-005-07NF11-19PC](#) [805-005-07NF15-7PA](#) [8280-4PG-516](#) [8280-7PG-](#)  
[519](#) [8282-5PG-519](#) [836783-1](#) [MP-4102-25P-C](#) [862256-1](#) [864019-2](#) [866857-1](#) [867865-1](#) [PT01SP-14-18P](#) [PT08P-14-5S](#) [PTSF06SE-14-12S](#)  
[120-1833-000](#) [QCM019PC2DC012B](#) [1-2069279-1](#) [121583-0217](#) [121667-0020](#) [129591AU](#) [1000B BULK](#) [RD10A16-19-P6CS051/1](#)  
[RD10A20-31-P8CS051/1](#) [RD16A14-12-S6CS051/2](#) [1301240290](#) [1301240347](#) [1301860202](#)