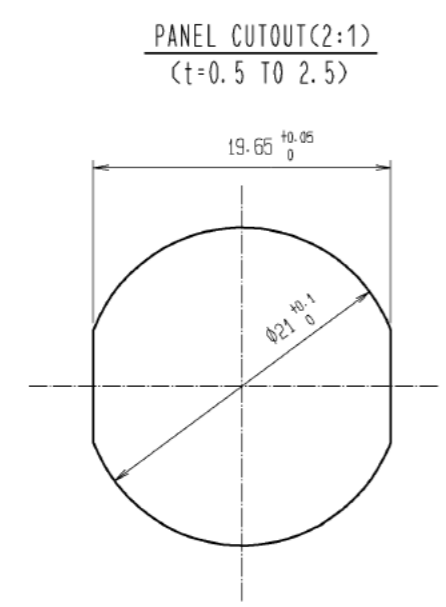
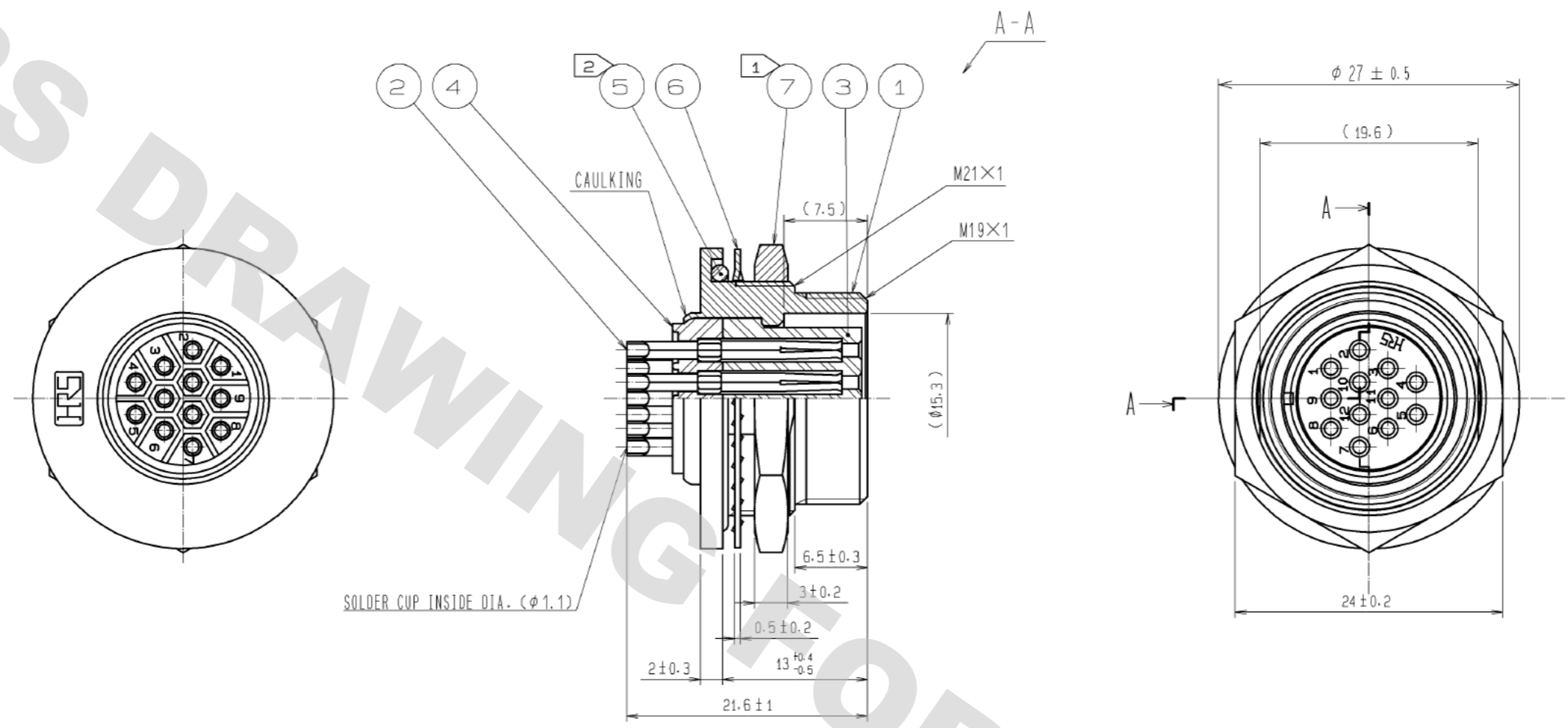


DRAWING FOR REFERENCE: This is subject to change without notice  
05/31/2013



- NOTES
- ① THE RECOMMENDED CLAMP TORQUE, REF. NO. ⑦ : 3N · m.  
LOCTITE 243, HENKEL JAPAN OR EQUIVALENT IS RECOMMENDED TO PREVENT REF. NO. ⑦ FOR LOOSENING.
  - ② WHEN MOUNTED ON CHASSIS, BE CAREFUL THAT REFERENCE NO. ⑤ IS FITTED INTO THE INDICATED GROOVE WITHOUT ANY BITING.
  - ③ SURFACE AREA : GOLD PLATING 0.2 μm min.  
UNDER PLATING : NICKEL PLATING 3 μm min.

NO.	MATERIAL	FINISH	REMARKS	NO.	MATERIAL	FINISH	REMARKS
4	DIALLYL PHTHALATE	(BLACK)	UL94V-0				
3	DIALLYL PHTHALATE	(BLACK)	UL94V-0	7	BRASS		NICKEL PLATING
2	COPPER ALLOY	③		6	PHOSPHOR BRONZE		NICKEL PLATING
1	ZINC ALLOY	CROMATE PLATING		5	SILICONE RUBBER		(BLACK)

UNITS	SCALE	COUNT	DESCRIPTION OF REVISIONS	DESIGNED	CHECKED	DATE
mm	2 : 1	△				
APPROVED : EJ. KUNII			12.06.13	DRAWING NO. EDC3-111092-72		
CHECKED : HT. ZENBA			12.06.13	PART NO. RM15WTRZA-12S(72)		
DESIGNED : MM. ISHII			12.06.12	CODE NO. CL109-1662-6-72		
DRAWN : MM. ISHII			12.06.12	△ 1/1		

## X-ON Electronics

Largest Supplier of Electrical and Electronic Components

*Click to view similar products for [Standard Circular Connector](#) category:*

*Click to view products by [Hirose](#) manufacturer:*

Other Similar products are found below :

[5M2530B10P](#) [600259N006](#) [600273N007](#) [6134-336-13149](#) [6134-337-11149](#) [6134-337-2390](#) [6134-341-17149](#) [6280-4SG-516](#) [6280-7SG-3DC](#)  
[6290](#) [6291A](#) [66200A-10](#) [680-SMG](#) [681-PMG](#) [CXS3102A14S2P](#) [CXS3102A181S](#) [7251-6SG-300](#) [7271-6SG-300](#) [7282-3PG-300-CH3](#) [75-](#)  
[474014-05S](#) [75-474618-01S](#) [75-474618-04S](#) [799539-000](#) [MI8-SE](#) [805-005-07NF11-19PC](#) [805-005-07NF15-7PA](#) [8280-4PG-516](#) [8280-7PG-](#)  
[519](#) [8282-5PG-519](#) [836783-1](#) [MP-4102-25P-C](#) [862256-1](#) [864019-2](#) [866857-1](#) [867865-1](#) [PT01SP-14-18P](#) [PT08P-14-5S](#) [PTSF06SE-14-12S](#)  
[120-1833-000](#) [QCM019PC2DC012B](#) [1-2069279-1](#) [121583-0217](#) [121667-0020](#) [129591AU](#) [1000B BULK](#) [RD10A16-19-P6CS051/1](#)  
[RD10A20-31-P8CS051/1](#) [RD16A14-12-S6CS051/2](#) [1301240290](#) [1301240347](#) [1301860202](#)