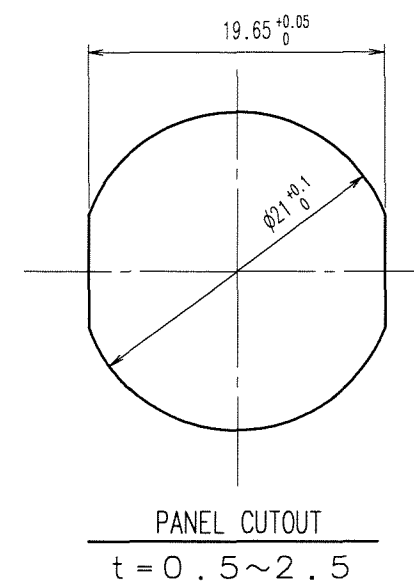
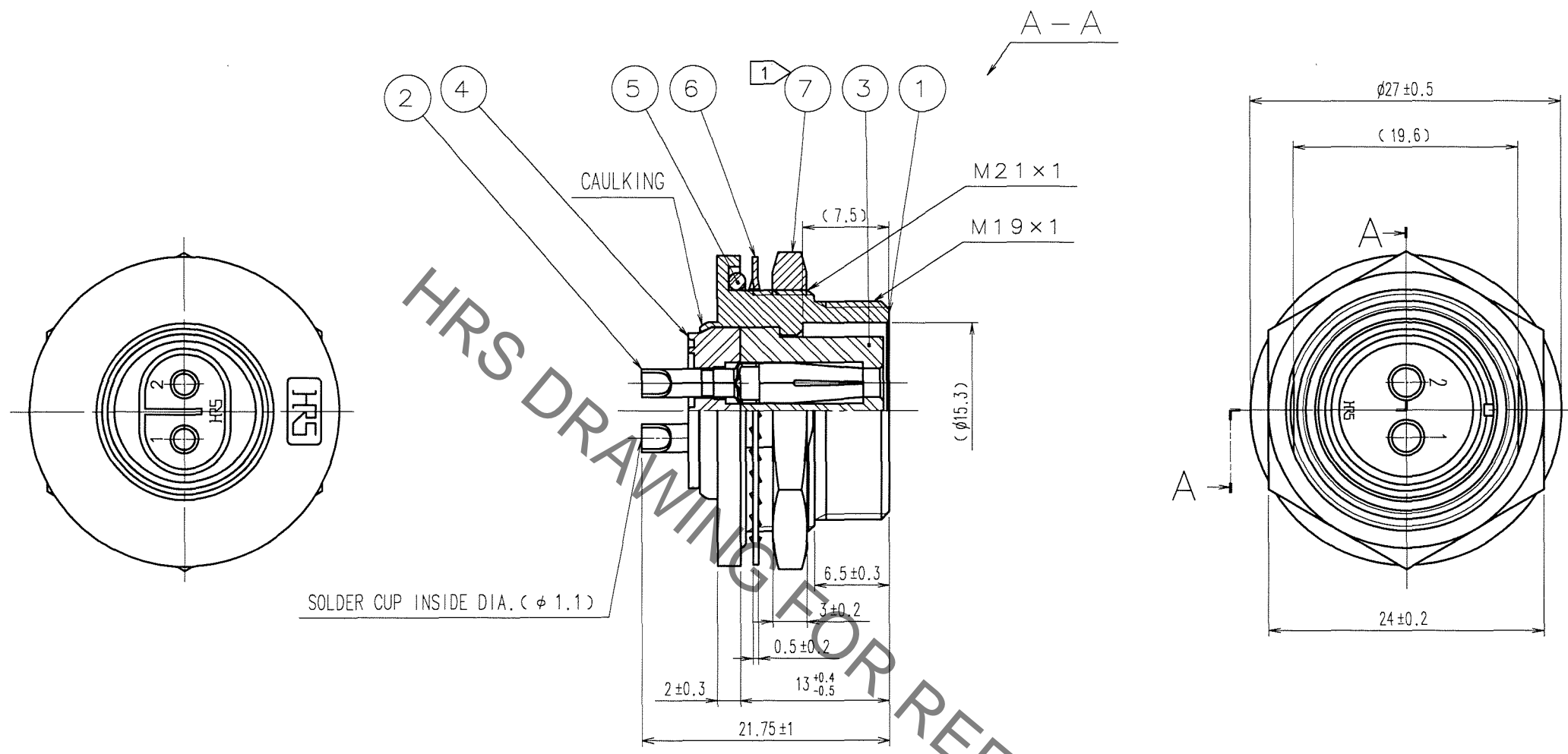


Jun.1.2019 Copyright 2019 HIROSE ELECTRIC CO., LTD. All Rights Reserved.
In case of consideration for using Automotive equipment / device which demand high reliability, kindly contact our sales window correspondents.

| COUNT | DESCRIPTION OF REVISIONS | BY | CHKD | DATE | COUNT | DESCRIPTION OF REVISIONS | BY | CHKD | DATE |
|-------|--------------------------|----|------|------|-------|--------------------------|----|------|------|
| △ | | | | .. | △ | | | | .. |
| △ | | | | .. | △ | | | | .. |
| △ | | | | .. | △ | | | | .. |



① THE RECOMMENDED CLAMP TORQUE OF REF.NO. ⑦ TO BE 3 N·m.
LOCTITE 271, HENKEL JAPAN OR EQUIVLENT IS RECOMMENDED TO
PREVENT REF.NO. ⑦ FROM LOOSING.
② SURFACE PLATING: GOLD 0.2μm min.
UNDER PLATING: NICKEL 3μm min.

| 4 | DIALLYL PHTHALATE | (BLACK) | UL94V-0 | | | |
|-----|-------------------|-----------------|---------|-----|-----------------|-----------------|
| 3 | DIALLYL PHTHALATE | (BLACK) | UL94V-0 | 7 | BRASS | |
| 2 | COPPER ALLOY | ② | | 6 | PHOSPHOR BRONZE | |
| 1 | ZINC ALLOY | CHROME PLATING | | 5 | SILICONE RUBBER | |
| | | (BLACK) | | | | |
| NO. | MATERIAL | FINISH, REMARKS | | NO. | MATERIAL | FINISH, REMARKS |

| | | | | | |
|----------------------|-------------------------------------|---|---------------|--|----------------|
| CODE NO. (OLD) CL | DRAWN <i>M. Sato</i> 06.08.07 | DESIGNED <i>E. Kurii</i> 06.08.07 | CHECKED .. | APPROVED <i>M. Sato</i> 06.08.07 | RELEASED .. |
|----------------------|-------------------------------------|---|---------------|--|----------------|

| | | |
|----------------|-------------------------------------|------------------------------|
| SCALE 2 : 1 | DRAWING NO. EDC3-111087-72 | PART NO. RM15WTRZA-2S(72) |
| UNITS mm | HRS HIROSE ELECTRIC CO., LTD | CODE NO. CL109-1657-6-72 |

| |
|----|
| TO |
| R |
| |
| |

X-ON Electronics

Largest Supplier of Electrical and Electronic Components

Click to view similar products for [Standard Circular Connector](#) category:

Click to view products by [Hirose](#) manufacturer:

Other Similar products are found below :

[5M2530B10P](#) [600259N006](#) [600273N007](#) [6134-336-13149](#) [6134-337-11149](#) [6134-337-2390](#) [6134-341-17149](#) [6280-4SG-516](#) [6280-7SG-3DC](#)
[6290](#) [6291A](#) [66200A-10](#) [680-SMG](#) [681-PMG](#) [CXS3102A14S2P](#) [CXS3102A181S](#) [7251-6SG-300](#) [7271-6SG-300](#) [7282-3PG-300-CH3](#) [75-](#)
[474014-05S](#) [75-474618-01S](#) [75-474618-04S](#) [799539-000](#) [MI8-SE](#) [805-005-07NF11-19PC](#) [805-005-07NF15-7PA](#) [8280-4PG-516](#) [8280-7PG-](#)
[519](#) [8282-5PG-519](#) [836783-1](#) [MP-4102-25P-C](#) [862256-1](#) [864019-2](#) [866857-1](#) [867865-1](#) [PT01SP-14-18P](#) [PT08P-14-5S](#) [PTSF06SE-14-12S](#)
[120-1833-000](#) [QCM019PC2DC012B](#) [1-2069279-1](#) [121583-0217](#) [121667-0020](#) [129591AU](#) [1000B BULK](#) [RD10A16-19-P6CS051/1](#)
[RD10A20-31-P8CS051/1](#) [RD16A14-12-S6CS051/2](#) [1301240290](#) [1301240347](#) [1301860202](#)