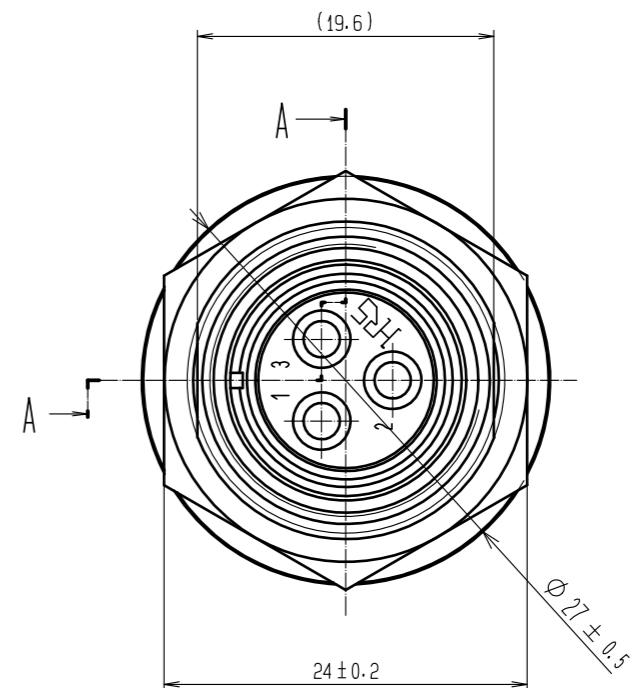
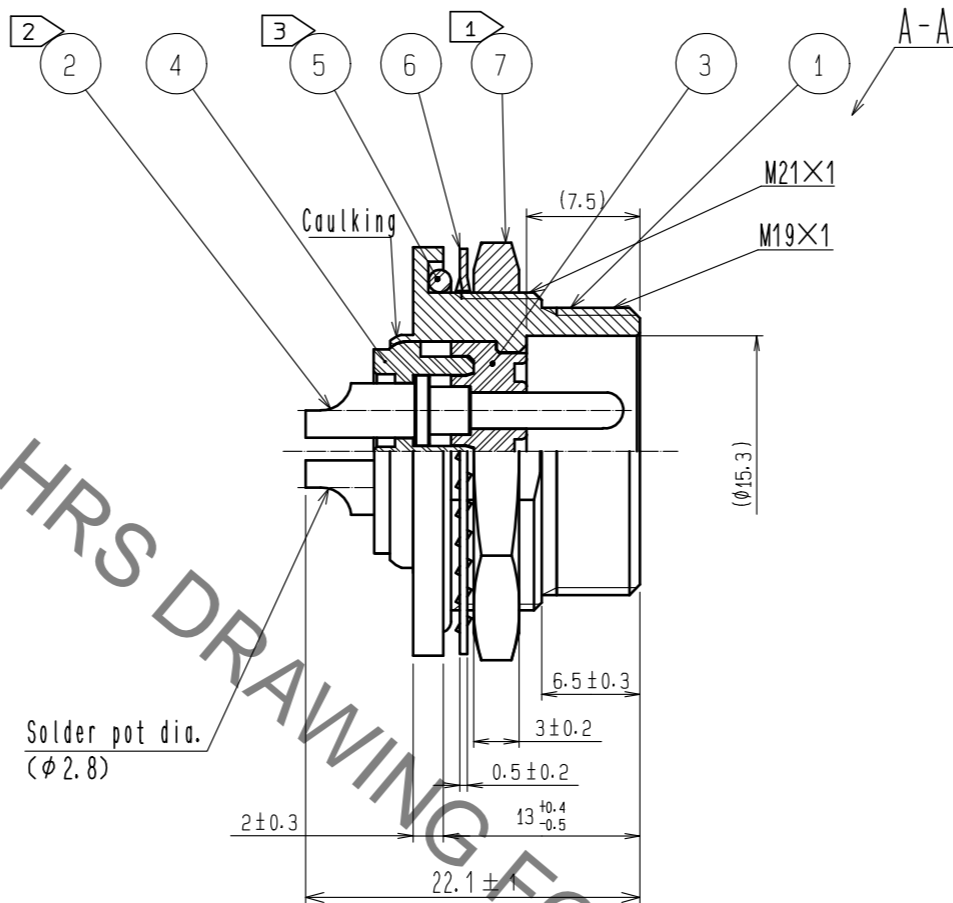
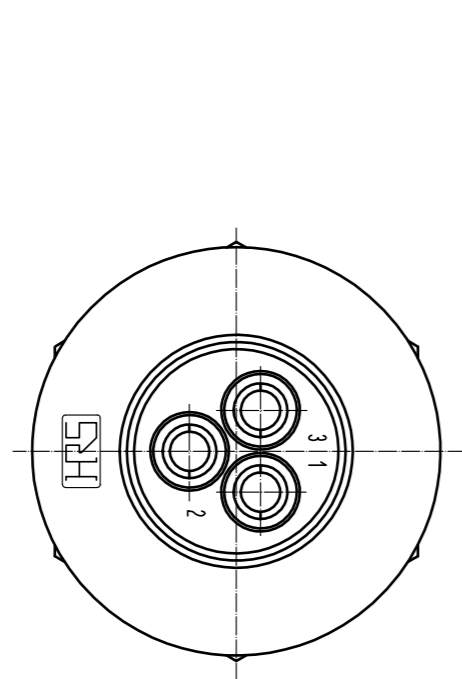
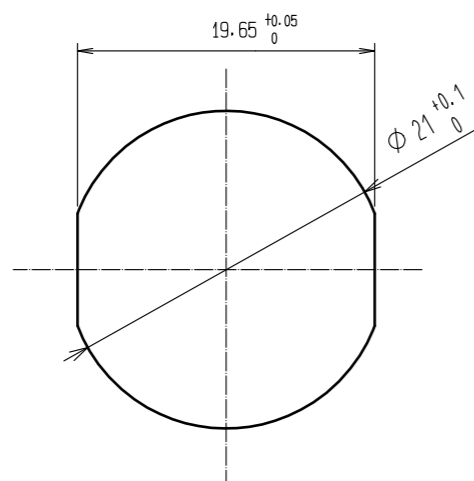


Aug.1.2021 Copyright 2021 HIROSE ELECTRIC CO., LTD. All Rights Reserved.
In case of consideration for using Automotive equipment / device which demand high reliability, kindly contact our sales window correspondents.



Panel cutout
(Panel thickness : 0.5 to 2.5)



- Notes
- ① The recommended clamp torque of ref. No. ⑦ : 3 N·m.
LOCTITE 243, HENKEL JAPAN or equivalent is recommended to prevent ref. No. ⑦ from loosening.
 - ② The direction of solder cup ref. No. ② is an example.
 - ③ When mounted on chassis, be careful reference No. ⑤ is fitted into the indicates groove any biting.

NO.	MATERIAL	FINISH . REMARKS	NO.	MATERIAL	FINISH . REMARKS
4	Diallyl phthalate	(Black) UL94V-0	7	Brass	Nickel plating
3	Diallyl phthalate	(Black) UL94V-0	6	Phosphor bronze	Nickel plating
2	Brass	Silver plating 3 μm min.	5	Silicone rubber	(Black)
1	Zinc alloy	Chrome plating			

UNITS mm		SCALE 2 : 1	COUNT 1	DESCRIPTION OF REVISIONS DIS-C-00007456	DESIGNED TY. SUZUKI	CHECKED HY. KOBAYASHI	DATE 20210806
APPROVED : HY. KOBAYASHI 20160122				DRAWING NO. EDC-111084-71-00			
CHECKED : HY. KOBAYASHI 20160122				PART NO. RM15WTRZA-3P(71)			
DESIGNED : KN. IKEHARA 20160122				CODE NO. CL0109-1652-2-71			
DRAWN : KN. IKEHARA 20160122				1/1			

X-ON Electronics

Largest Supplier of Electrical and Electronic Components

Click to view similar products for [Standard Circular Connector](#) category:

Click to view products by [Hirose](#) manufacturer:

Other Similar products are found below :

[5M2530B10P](#) [600259N006](#) [600273N007](#) [6134-336-13149](#) [6134-337-11149](#) [6134-337-2390](#) [6134-341-17149](#) [6280-4SG-516](#) [6280-7SG-3DC](#)
[6290](#) [6291A](#) [66200A-10](#) [680-SMG](#) [681-PMG](#) [CXS3102A14S2P](#) [CXS3102A181S](#) [7251-6SG-300](#) [7271-6SG-300](#) [7282-3PG-300-CH3](#) [75-](#)
[474014-05S](#) [75-474618-01S](#) [75-474618-04P](#) [75-474618-04S](#) [799539-000](#) [MI8-SE](#) [805-005-07NF11-19PC](#) [805-005-07NF15-7PA](#) [8280-4PG-](#)
[516](#) [8280-7PG-519](#) [8282-5PG-519](#) [836783-1](#) [MP-4102-25P-C](#) [862256-1](#) [864019-2](#) [866857-1](#) [867865-1](#) [PT01SP-14-18P](#) [PT08P-14-5S](#)
[PTSF06SE-14-12S](#) [120-1833-000](#) [QCM019PC2DC012B](#) [1-2069279-1](#) [121583-0217](#) [121667-0020](#) [129591AU](#) [1000B BULK](#) [RD10A16-19-](#)
[P6CS051/1](#) [RD10A20-31-P8CS051/1](#) [RD16A14-12-S6CS051/2](#) [1301240290](#) [1301240347](#)