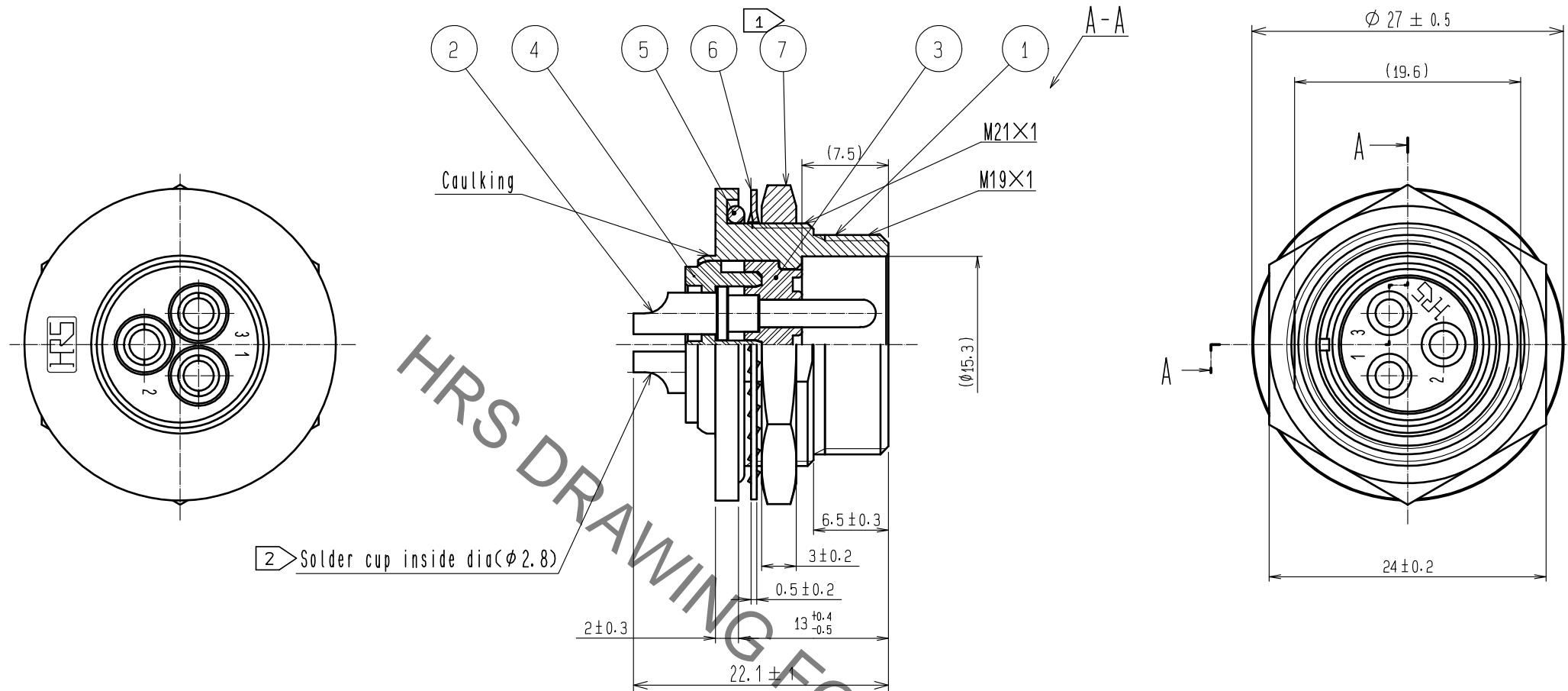
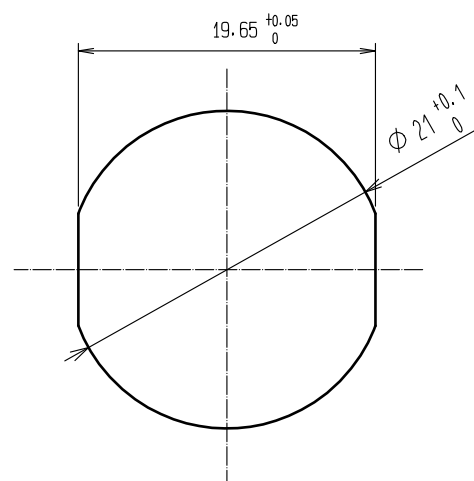


Sep.1.2021 Copyright 2021 HIROSE ELECTRIC CO., LTD. All Rights Reserved.
In case of consideration for using Automotive equipment / device which demand high reliability, kindly contact our sales window correspondents.



Panel cutout(2:1)
(Thickness : 0.5 min to 2.5 max)



- Notes
- ① The recommended clamp torque of ref. No. ⑦ to be 3 N·m.
LOCTITE 243, HENKEL JAPAN or equivalent is recommended to prevent ref. No. ⑦ from loosening.
 - ② The direction of solder cup is an example.
 - ③ Plating
Surface : Gold 0.2 μm min.
Under plating : Nickel 3 μm min.

| NO. | MATERIAL | FINISH . REMARKS | NO. | MATERIAL | FINISH . REMARKS |
|-----|-------------------|------------------|-----|-----------------|------------------|
| 4 | Diallyl phthalate | (Black) UL94V-0 | 7 | Brass | Nickel plating |
| 3 | Diallyl phthalate | (Black) UL94V-0 | 6 | Phosphor bronze | Nickel plating |
| 2 | Brass | ③ | 5 | Silicone rubber | (Black) |
| 1 | Zinc alloy | Chrome plating | | | |

| UNITS | SCALE | COUNT | DESCRIPTION OF REVISIONS | DESIGNED | CHECKED | DATE |
|-------|-------|-------|--------------------------|------------|---------------|----------|
| mm | 2 : 1 | 2 | DIS-C-00007456 | TY. SUZUKI | HY. KOBAYASHI | 20210806 |

| APPROVED | CHECKED | DESIGNED | DRAWN | DRAWING NO. | PART NO. | CODE NO. |
|-----------|-----------|-------------|-----------|----------------|------------------|------------------|
| MO. SATOH | EJ. KUNII | DS. MATSUNE | MM. ISHII | EDC3-111084-72 | RM15WTRZA-3P(72) | CL0109-1652-2-72 |
| 20061026 | 20061026 | 20061026 | 20061025 | | | |

X-ON Electronics

Largest Supplier of Electrical and Electronic Components

Click to view similar products for [Standard Circular Connector](#) category:

Click to view products by [Hirose](#) manufacturer:

Other Similar products are found below :

[5M2530B10P](#) [600259N006](#) [600273N007](#) [6134-336-13149](#) [6134-337-11149](#) [6134-337-2390](#) [6134-341-17149](#) [6280-4SG-516](#) [6280-7SG-3DC](#)
[6290](#) [6291A](#) [66200A-10](#) [680-SMG](#) [681-PMG](#) [CXS3102A14S2P](#) [CXS3102A181S](#) [7251-6SG-300](#) [7271-6SG-300](#) [7282-3PG-300-CH3](#) [75-](#)
[474014-05S](#) [75-474618-01S](#) [75-474618-04S](#) [799539-000](#) [MI8-SE](#) [805-005-07NF11-19PC](#) [805-005-07NF15-7PA](#) [8280-4PG-516](#) [8280-7PG-](#)
[519](#) [8282-5PG-519](#) [836783-1](#) [MP-4102-25P-C](#) [862256-1](#) [864019-2](#) [866857-1](#) [867865-1](#) [PT01SP-14-18P](#) [PT08P-14-5S](#) [PTSF06SE-14-12S](#)
[120-1833-000](#) [QCM019PC2DC012B](#) [1-2069279-1](#) [121583-0217](#) [121667-0020](#) [129591AU](#) [1000B BULK](#) [RD10A16-19-P6CS051/1](#)
[RD10A20-31-P8CS051/1](#) [RD16A14-12-S6CS051/2](#) [1301240290](#) [1301240347](#) [1301860202](#)