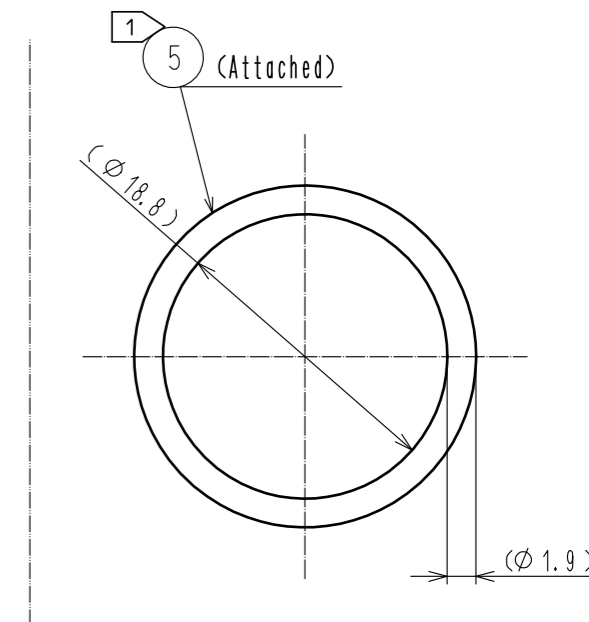
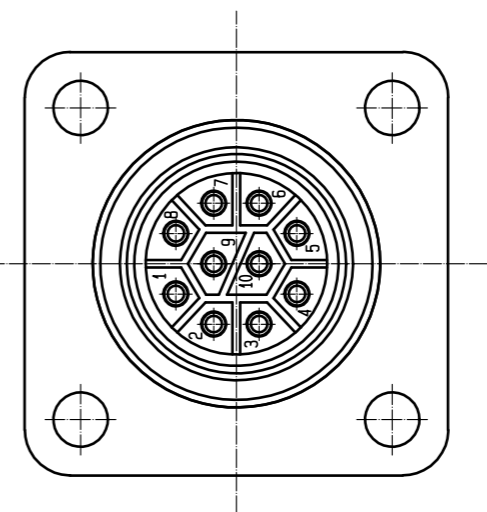
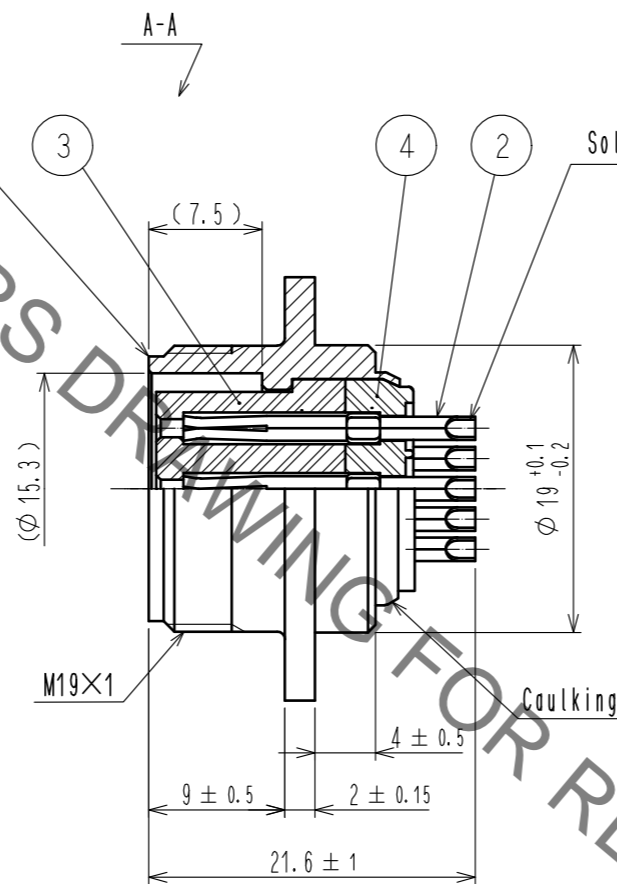
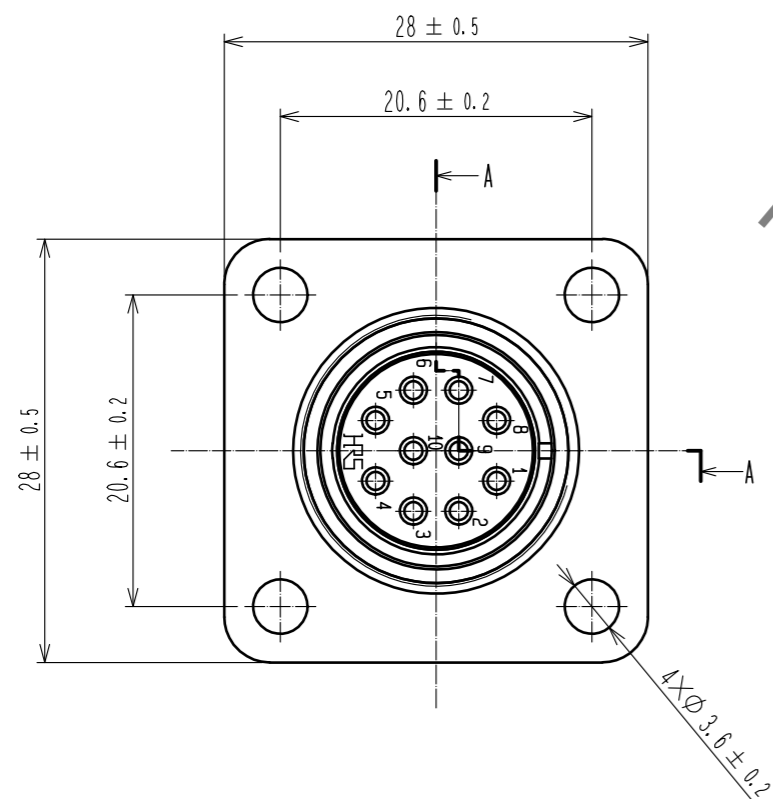
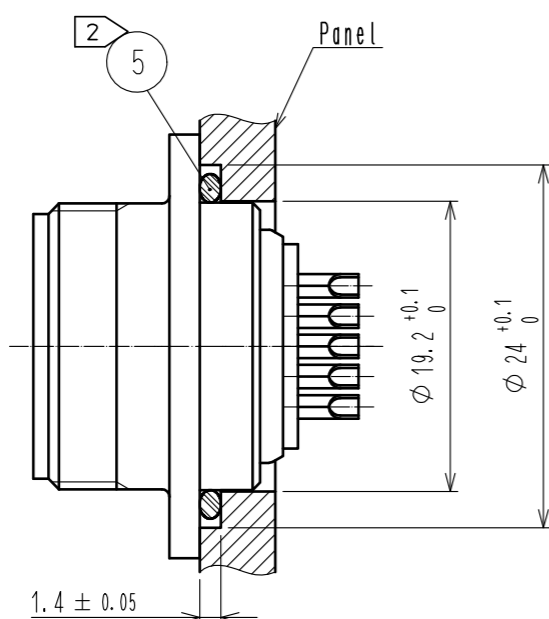


Jun.1.2019 Copyright 2019 HIROSE ELECTRIC CO., LTD. All Rights Reserved.
 In case of consideration for using Automotive equipment / device which demand high reliability, kindly contact our sales window correspondents.



1 Fig.1 Ref.No. 5 panel cutout



- Notes
- 1 When waterproofing with panel, use Ref. No. 5(O-ring).
The dimension of attaching Ref. No. 5 to a panel is shown in Fig.1.
 - 2 When mounted on chassis, be careful that Ref. No. 5 is fitted into the indicated groove without any biting.

3	Diallyl phthalate	(Black) UL94V-0								
2	Copper alloy	Silver plating 5µm min.	5	Silicone rubber (Black)						
1	Zinic alloy	Chrome plating	4	Diallyl phthalate (Black) UL94V-0						
NO.	MATERIAL	FINISH	REMARKS	NO.	MATERIAL	FINISH	REMARKS			
UNITS	mm		SCALE	2 : 1	COUNT	DESCRIPTION OF REVISIONS		DESIGNED	CHECKED	DATE
HIROSE ELECTRIC CO., LTD.			APPROVED	: YH. YAMADA	16.04.05	DRAWING NO.		EDC-111103-71-00		
			CHECKED	: HY. KOBAYASHI	16.04.05	PART NO.		RM15WTRZB-10S(71)		
			DESIGNED	: HR. SATO	16.04.05	CODE NO.		CL109-1681-0-71		
			DRAWN	: HR. SATO	16.04.05					

X-ON Electronics

Largest Supplier of Electrical and Electronic Components

Click to view similar products for [Standard Circular Connector](#) category:

Click to view products by [Hirose](#) manufacturer:

Other Similar products are found below :

[5M2530B10P](#) [600259N006](#) [600273N007](#) [6134-336-13149](#) [6134-337-11149](#) [6134-337-2390](#) [6134-341-17149](#) [6280-4SG-516](#) [6280-7SG-3DC](#)
[6290](#) [6291A](#) [66200A-10](#) [680-SMG](#) [681-PMG](#) [CXS3102A14S2P](#) [CXS3102A181S](#) [7251-6SG-300](#) [7271-6SG-300](#) [7282-3PG-300-CH3](#) [75-](#)
[474014-05S](#) [75-474618-01S](#) [75-474618-04P](#) [75-474618-04S](#) [799539-000](#) [MI8-SE](#) [805-005-07NF11-19PC](#) [805-005-07NF15-7PA](#) [8280-4PG-](#)
[516](#) [8280-7PG-519](#) [8282-5PG-519](#) [836783-1](#) [MP-4102-25P-C](#) [862256-1](#) [864019-2](#) [866857-1](#) [867865-1](#) [PT01SP-14-18P](#) [PT08P-14-5S](#) [120-](#)
[1833-000](#) [QCM019PC2DC012B](#) [1-2069279-1](#) [121583-0217](#) [121667-0020](#) [129591AU](#) [1000B BULK](#) [RD10A16-19-P6CS051/1](#) [RD10A20-31-](#)
[P8CS051/1](#) [RD16A14-12-S6CS051/2](#) [1301240290](#) [1301240347](#) [1301860202](#)