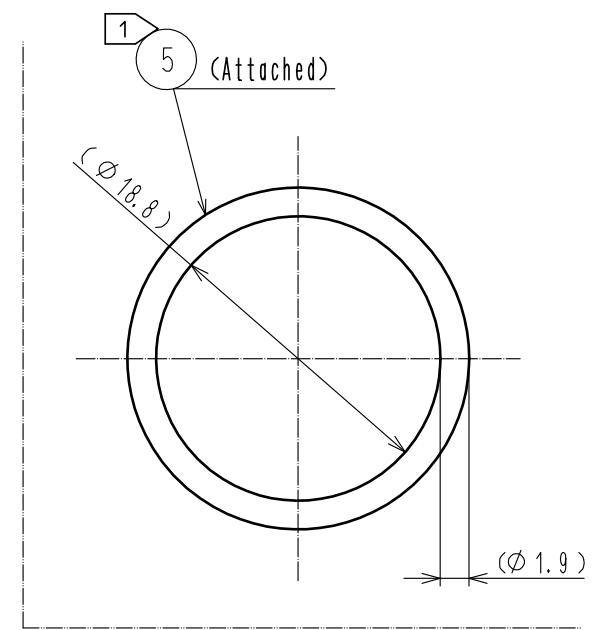
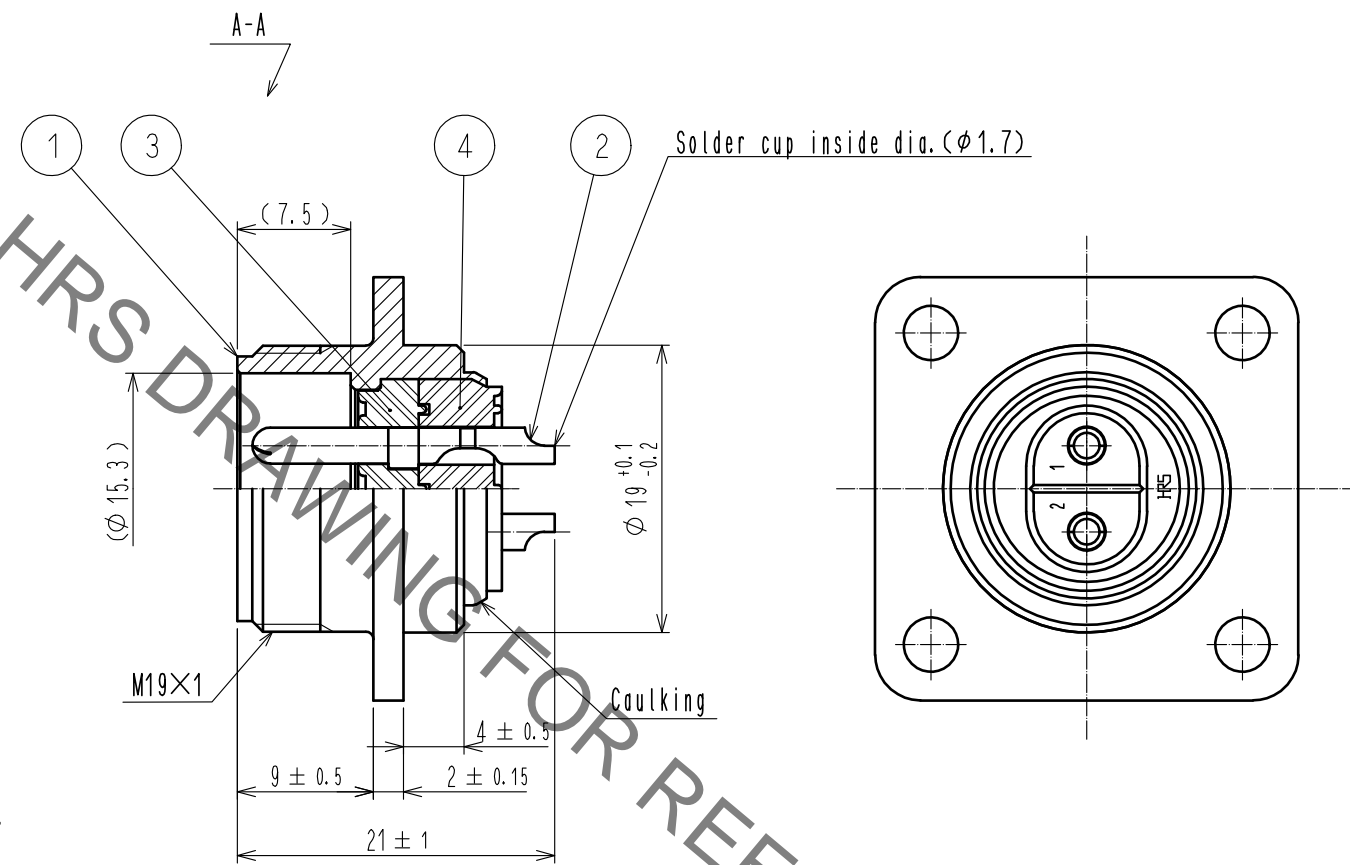
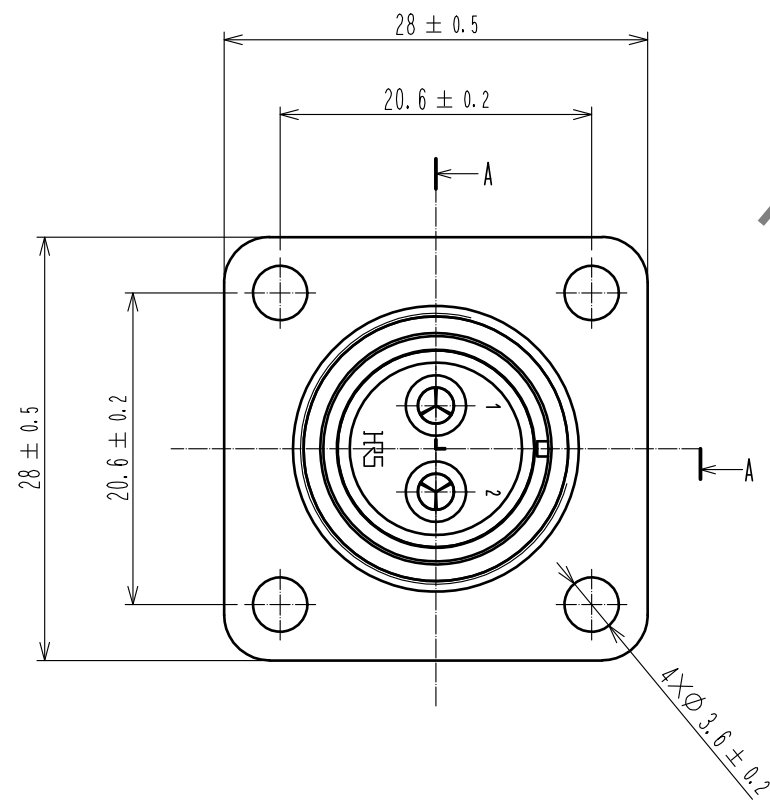
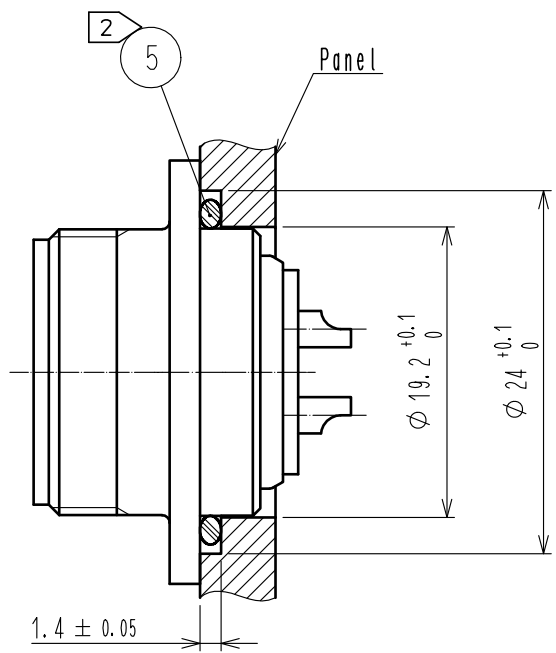


Jun.1.2019 Copyright 2019 HIROSE ELECTRIC CO., LTD. All Rights Reserved.
In case of consideration for using Automotive equipment / device which demand high reliability, kindly contact our sales window correspondents.



1 Fig.1 Ref.No. 5 panel cutout



Notes
 1 When waterproofing with panel, use Ref.No. 5(O-ring). The dimension of attaching Ref.No. 5 to a panel is shown in Fig.1.
 2 When mounted on chassis, be careful that Ref.No. 5 is fitted into the indicated groove without any biting.

3	Diallyl phthalate	(Black) UL94V-0								
2	Copper alloy	Silver plating 2µm min.	5	Silicone rubber	(Black)					
1	Zinic alloy	Chrome plating	4	Diallyl phthalate	(Black) UL94V-0					
NO.	MATERIAL	FINISH	REMARKS	NO.	MATERIAL	FINISH	REMARKS			
UNITS		mm	SCALE	2 : 1	COUNT	DESCRIPTION OF REVISIONS		DESIGNED	CHECKED	DATE
APPROVED		: YH. YAMADA		16.04.05	DRAWING NO.		EDC-111093-71-00			
CHECKED		: HY. KOBAYASHI		16.04.05	PART NO.		RM15WTRZB-2P(71)			
DESIGNED		: HR. SATO		16.04.05	CODE NO.		CL109-1671-7-71			
DRAWN		: HR. SATO		16.04.05						

X-ON Electronics

Largest Supplier of Electrical and Electronic Components

Click to view similar products for [Standard Circular Connector](#) category:

Click to view products by [Hirose](#) manufacturer:

Other Similar products are found below :

[5M2530B10P](#) [600259N006](#) [600273N007](#) [6134-336-13149](#) [6134-337-11149](#) [6134-337-2390](#) [6134-341-17149](#) [6280-4SG-516](#) [6280-7SG-3DC](#)
[6290](#) [6291A](#) [66200A-10](#) [680-SMG](#) [681-PMG](#) [CXS3102A14S2P](#) [CXS3102A181S](#) [7251-6SG-300](#) [7271-6SG-300](#) [7282-3PG-300-CH3](#) [75-](#)
[474014-05S](#) [75-474618-01S](#) [75-474618-04P](#) [75-474618-04S](#) [799539-000](#) [MI8-SE](#) [805-005-07NF11-19PC](#) [805-005-07NF15-7PA](#) [8280-4PG-](#)
[516](#) [8280-7PG-519](#) [8282-5PG-519](#) [836783-1](#) [MP-4102-25P-C](#) [862256-1](#) [864019-2](#) [866857-1](#) [867865-1](#) [PT01SP-14-18P](#) [PT08P-14-5S](#) [120-](#)
[1833-000](#) [QCM019PC2DC012B](#) [1-2069279-1](#) [121583-0217](#) [121667-0020](#) [129591AU](#) [1000B BULK](#) [RD10A16-19-P6CS051/1](#) [RD10A20-31-](#)
[P8CS051/1](#) [RD16A14-12-S6CS051/2](#) [1301240290](#) [1301240347](#) [1301860202](#)